



Installation instruction
of pleated blinds basic mounted
non-invasively
on the window frame.



The following mounting components are included with the pleated blind

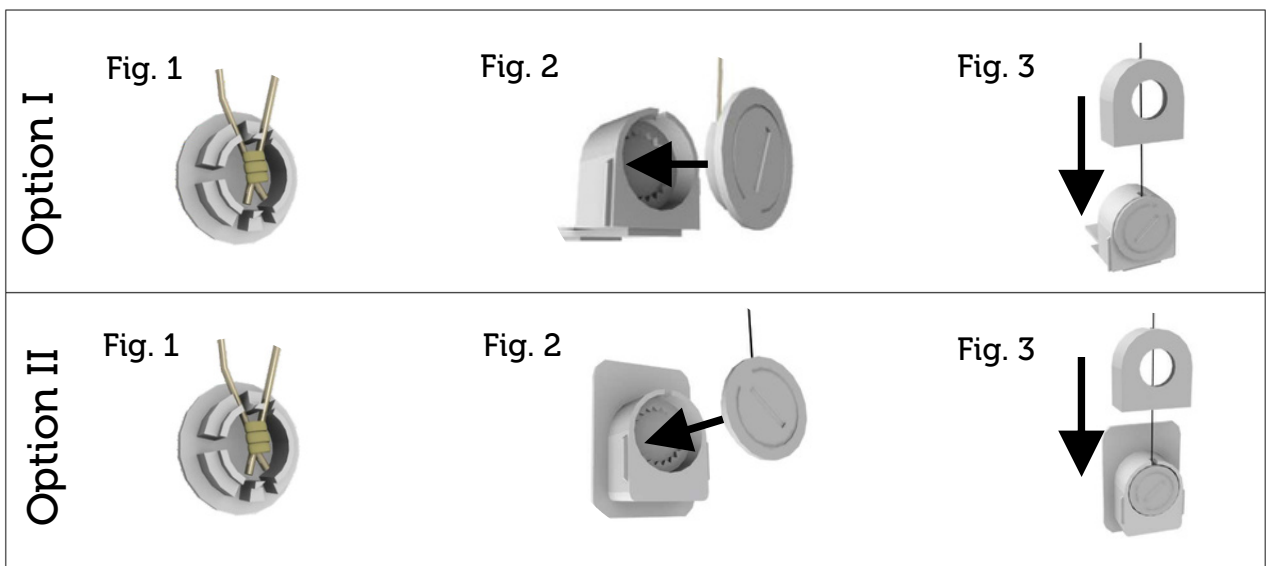


Step I

Unwind the cords from the blinds and follow the illustrations below.

Fig. 1, 2, 3.

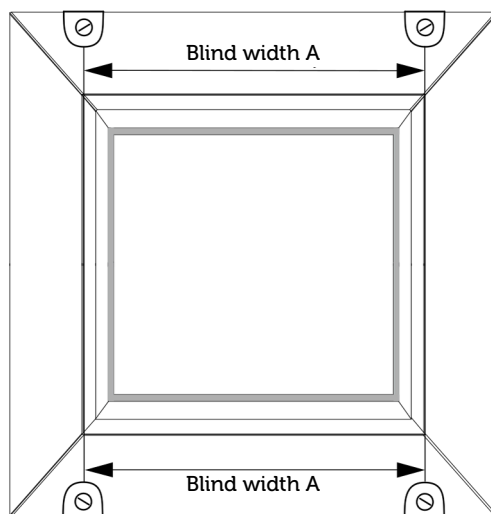
Do not tear the paper protection off the blinds, you will do this at the end of the assembly.



Step II

Install the mounting brackets. Fig. 4, 5, 6.

Fig. 4



*In the version suspended on the frame, hang the brackets and clamp them on the window frame.

*In the version fixed to the window frame, glue to the window frame.

In order for the stick-on hooks to adhere well to the surface of the window frame, you must:

- 1) degrease the surface of the window frame where the brackets are attached
- 2) wait until the degreasing product has evaporated
- 3) glue the hooks only and press down firmly
- 4) wait 24 hours for the adhesive to bond with the window frame
- 5) after this time the pleated blind can be installed

*The cords in a glued pleat should not be stretched too tightly, as this may cause the catches to unstick in the future.

Fig. 5



Fig. 6

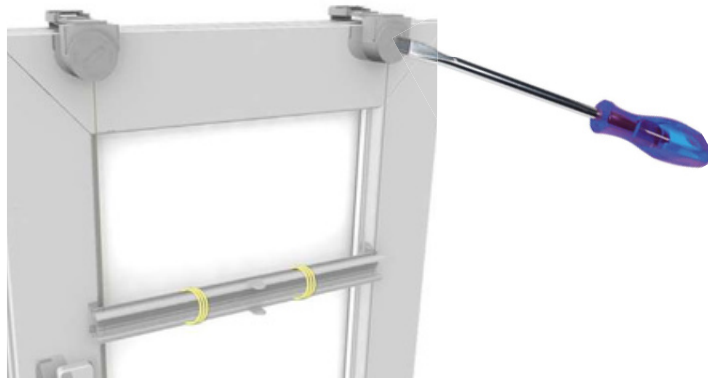


Step III

Cord tension adjustment. Fig. 7

If the pleated blind drops automatically, increase the string tension. To do this, tighten the cords with a flat screwdriver. Turn the screwdriver only to the left (counterclockwise).

Fig. 7



Step IV

Install the handles to operate the pleat by clicking them in place. Remove the paper protection.

Rys. 8

