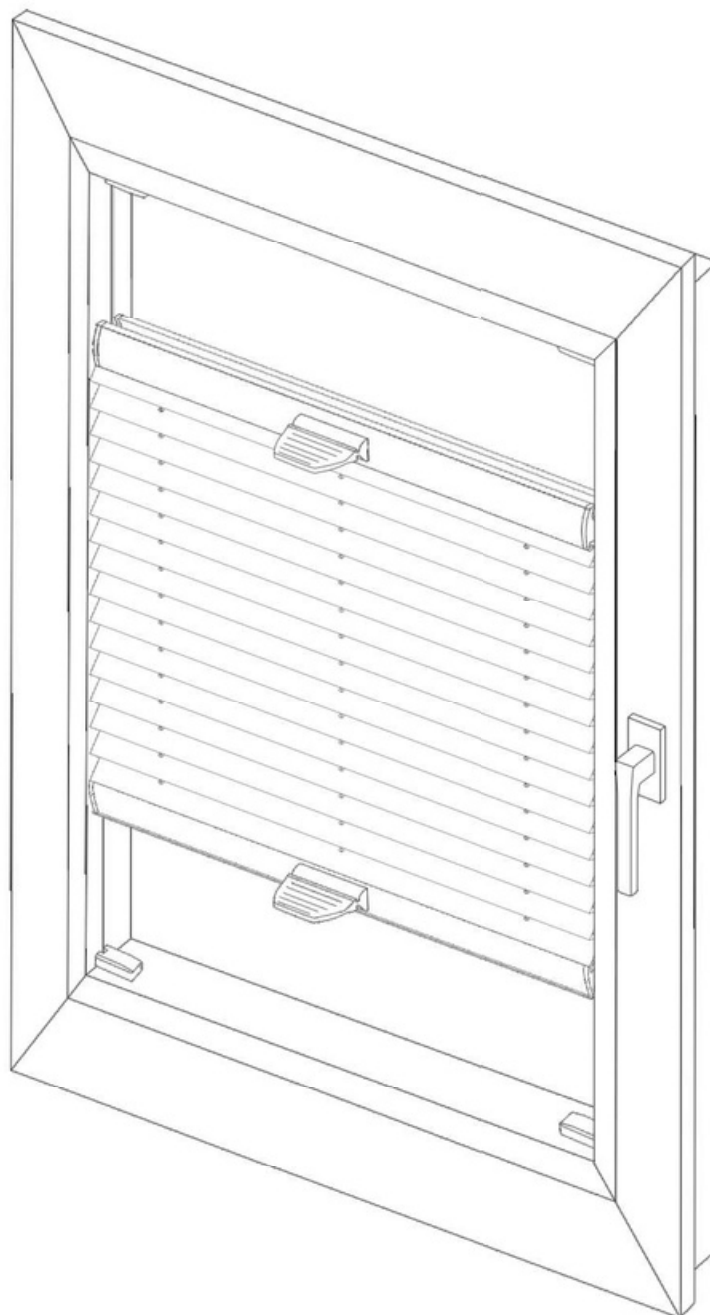
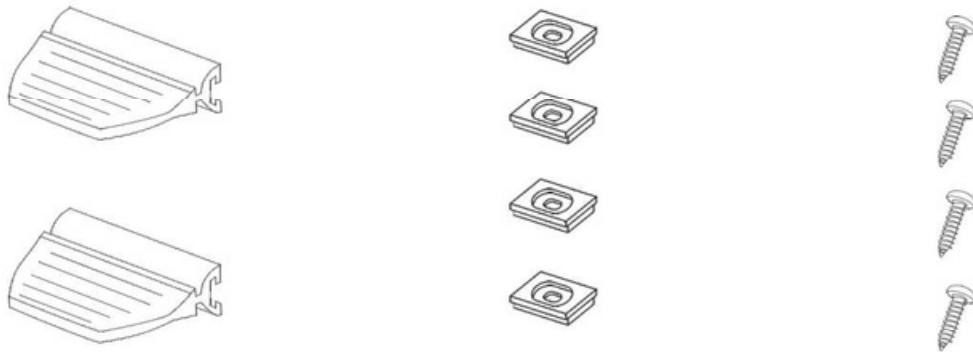


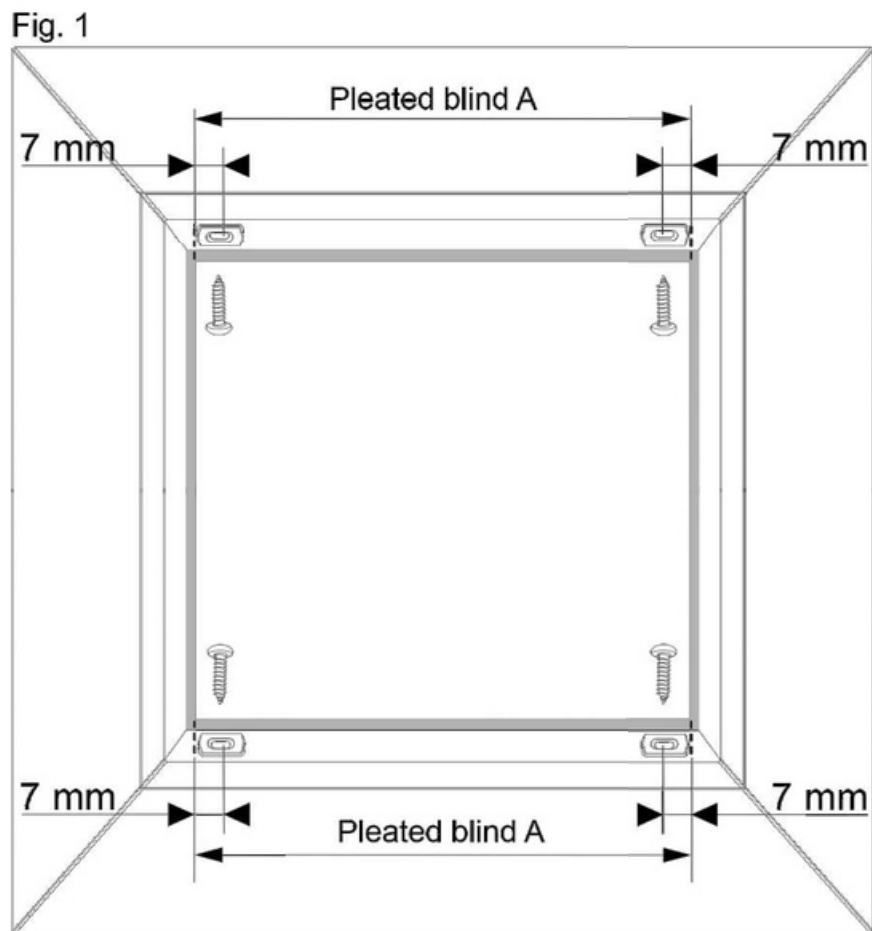
Installation instruction for Pleated Blinds Premium DUO



The pleated window blind is supplied with the following fitting elements:



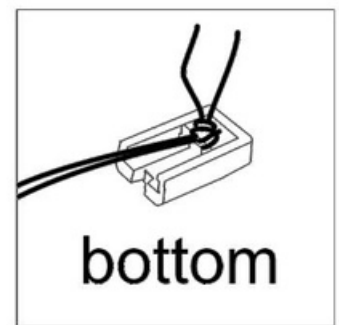
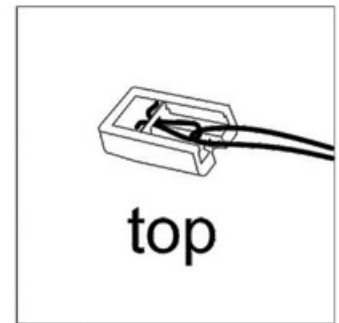
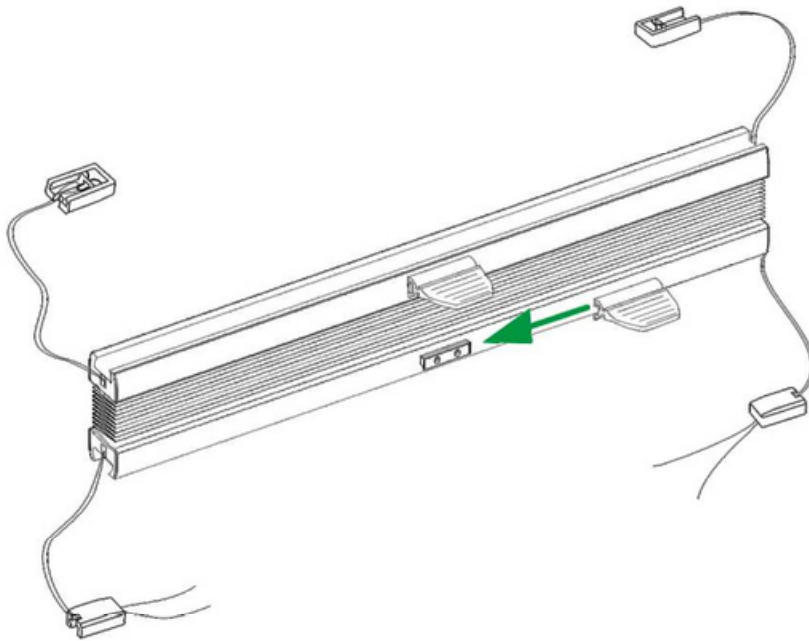
Stage I.
Screw the mounting elements. Fig 1



Stage II

Prepare the blind for installation. Fig. 2

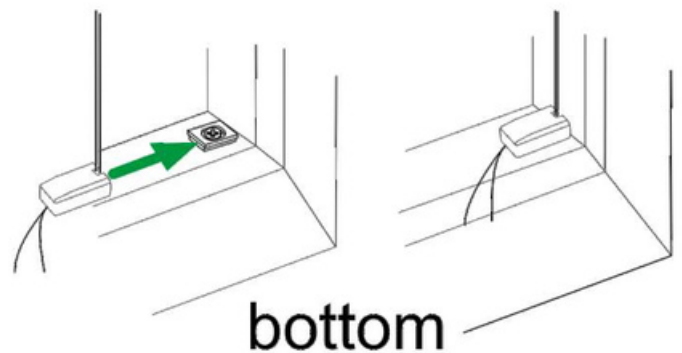
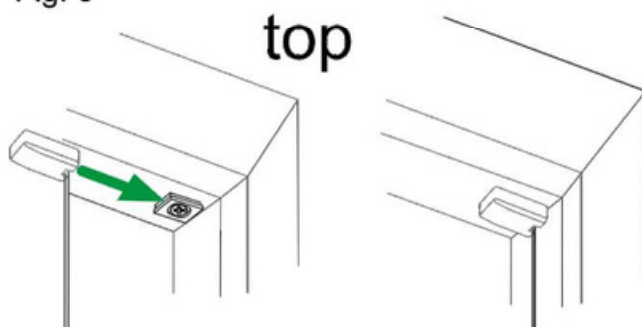
Fig. 2



Stage III

Start installing the pleated blind from the top. Connect the mounting elements. Fig. 3

Fig. 3

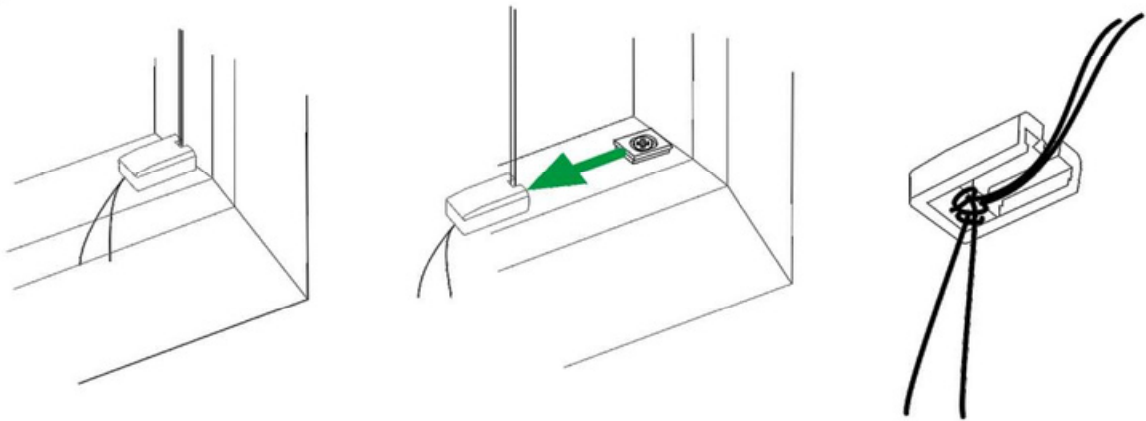


Stage IV

Adjust the string tension. Fig. 4

1. If the pleated blind drops automatically, increase the tension of the string. To do this, change the position of the knots on the strings. Use the same value on the left and the right string.
2. If the pleated blind operates with a lot of resistance, reduce the string tension.

Fig. 4



Stage V.

Cut off excessive amount of strings. Fig. 5

Fig. 5

