

Installation instruction for 50mm wooden blinds for skylight windows.

Mounting to the wall, in front of the attic recess.

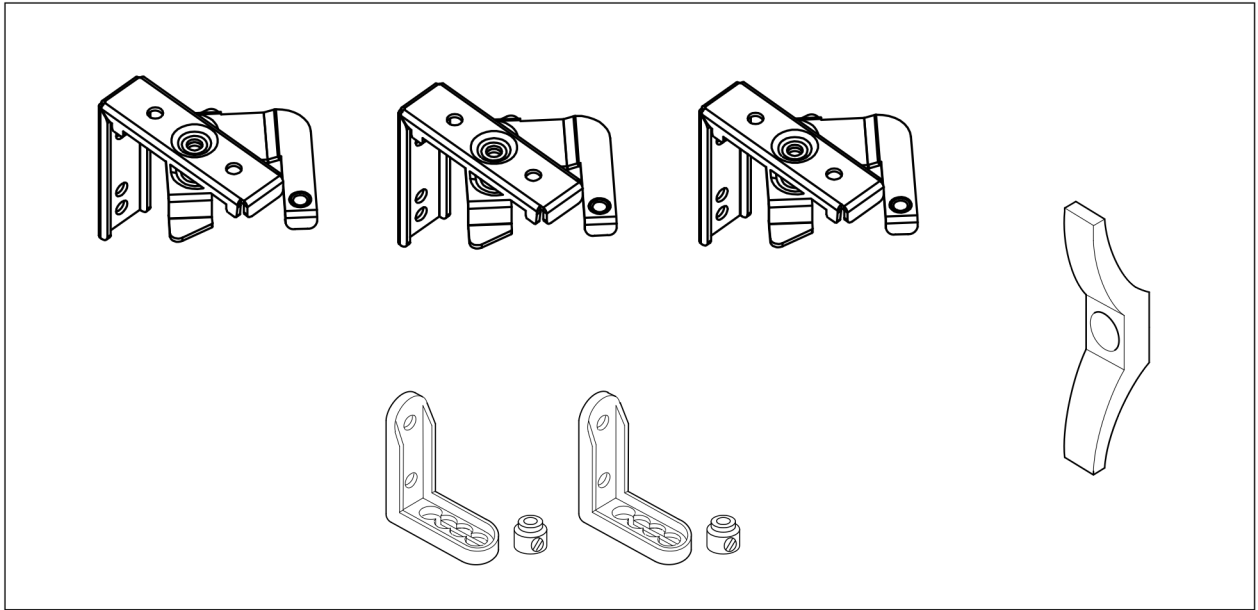


The following mounting hangers are supplied with the wooden blind.
Their number depends on the width of the wooden blind.

Minimum 2 pcs. maximum 4 pcs.

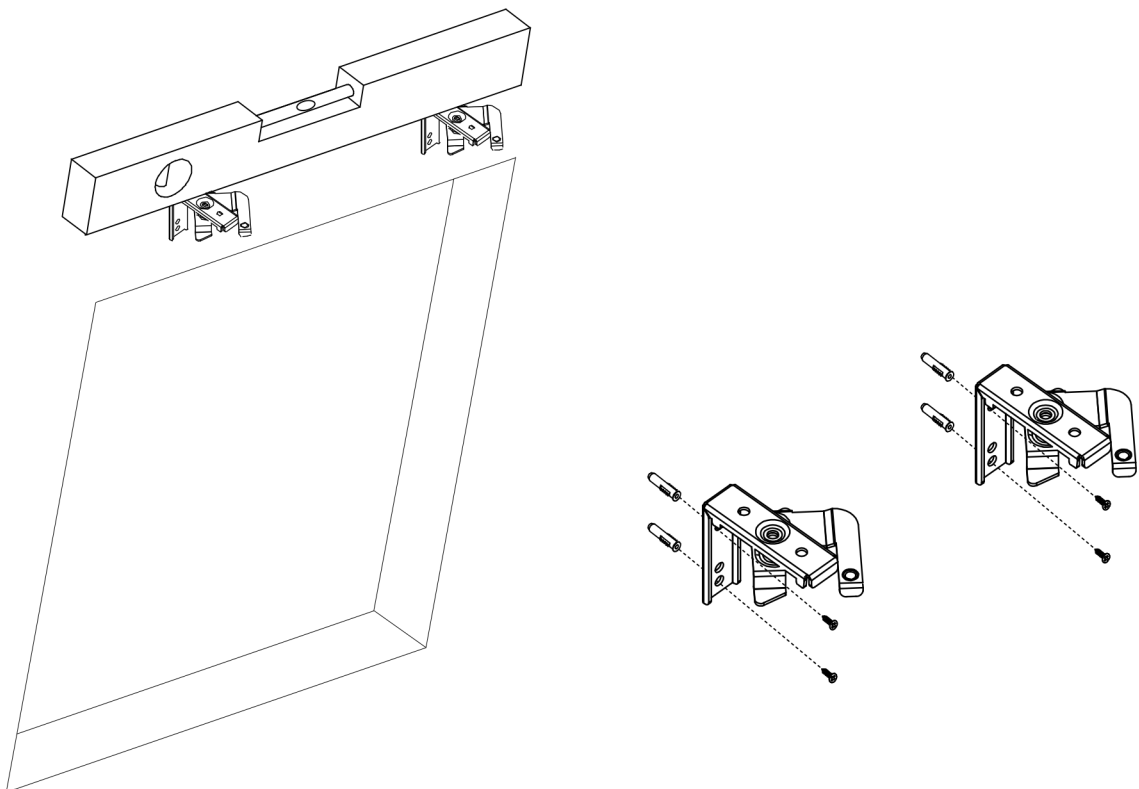
The kit does not include assembly pegs or screws, as the choice of these is up to the customer and depends on the material from which the building walls or window frames are made.

The kit also includes 2 steel cables with springs, 2 angle brackets with accessories and 1 chain anchor.



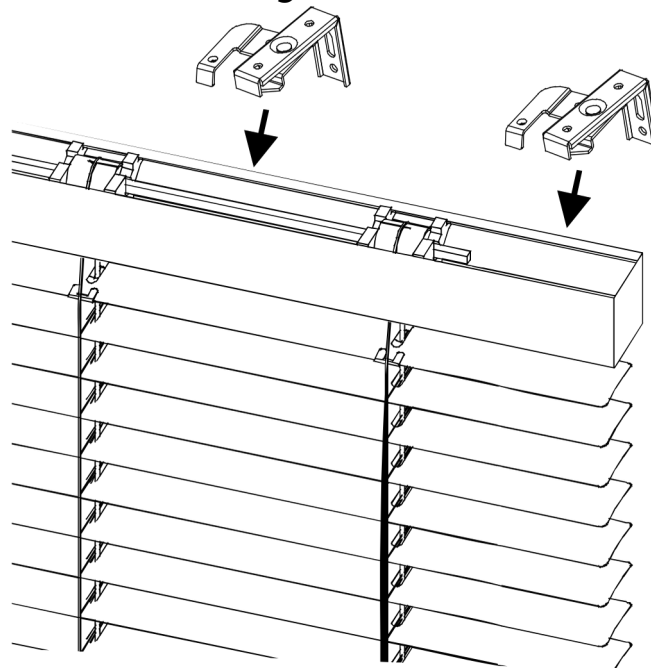
Step I

Install the mounting brackets. The wooden blind must be mounted horizontally for it to work correctly.



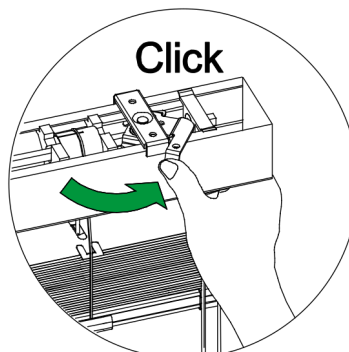
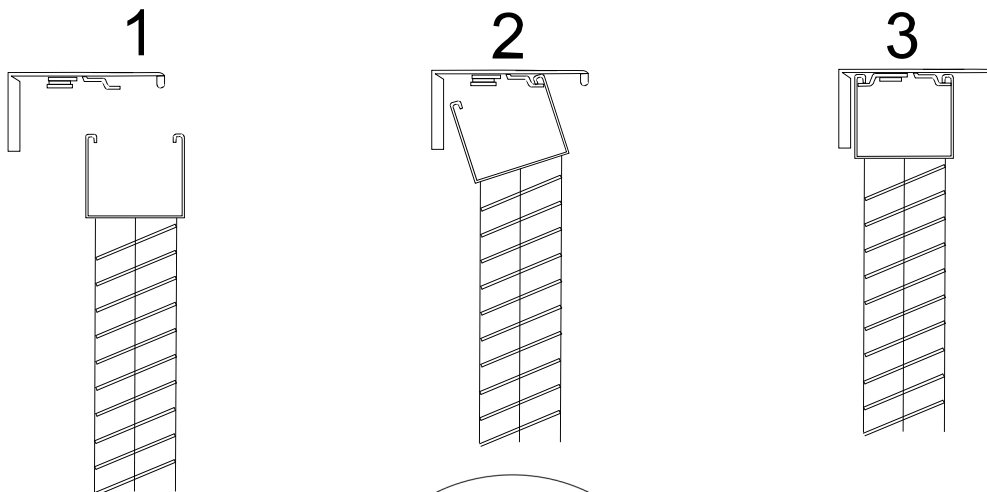
Step I continued

Install the mounting brackets in such a way that they do not interfere with the components inside the gutter.



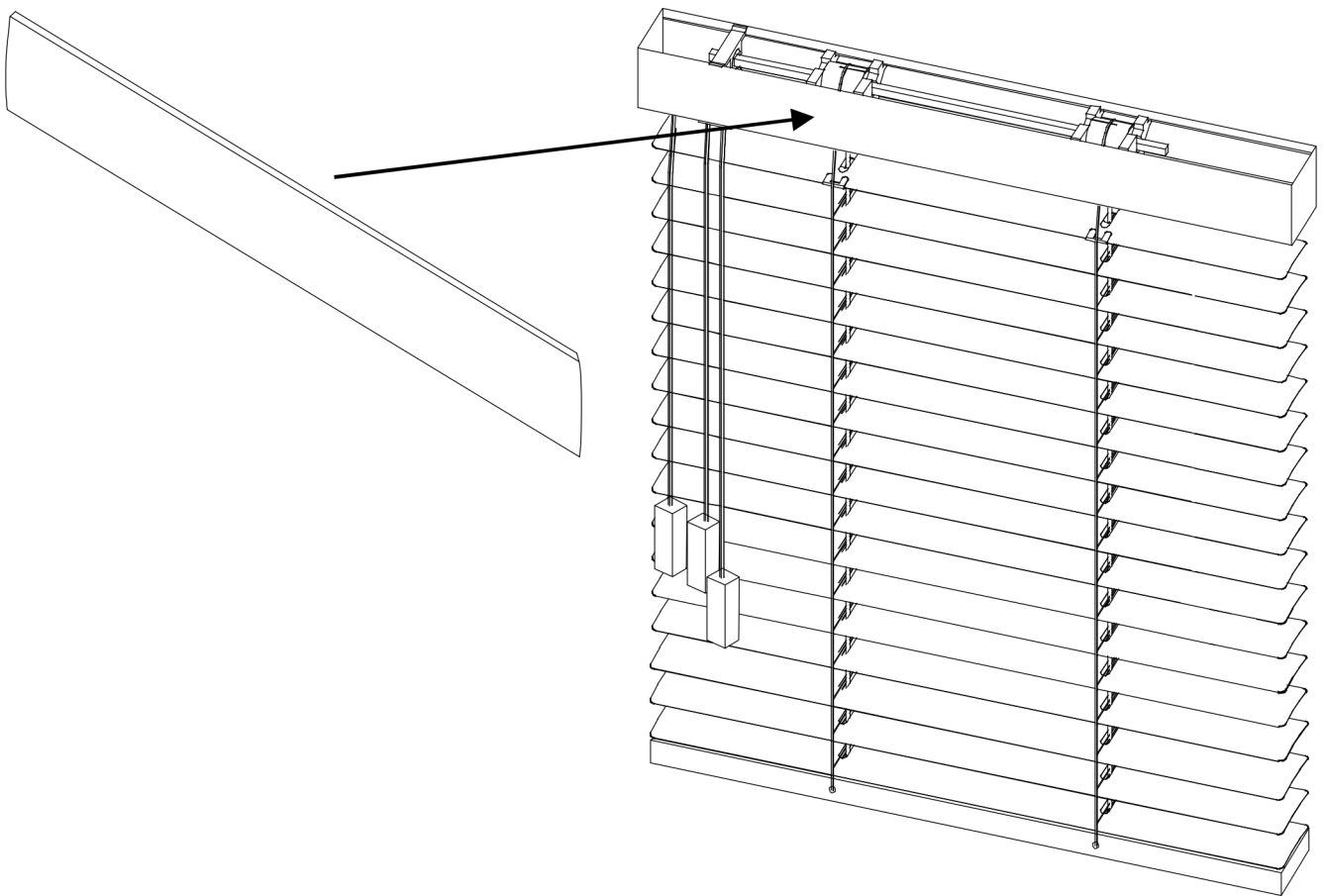
Step II

Attach the blind to the mounted brackets. See the following 3 pictures showing the way of how the blind is attached to the hangers. The last step is to click the hanger lever.



Step III

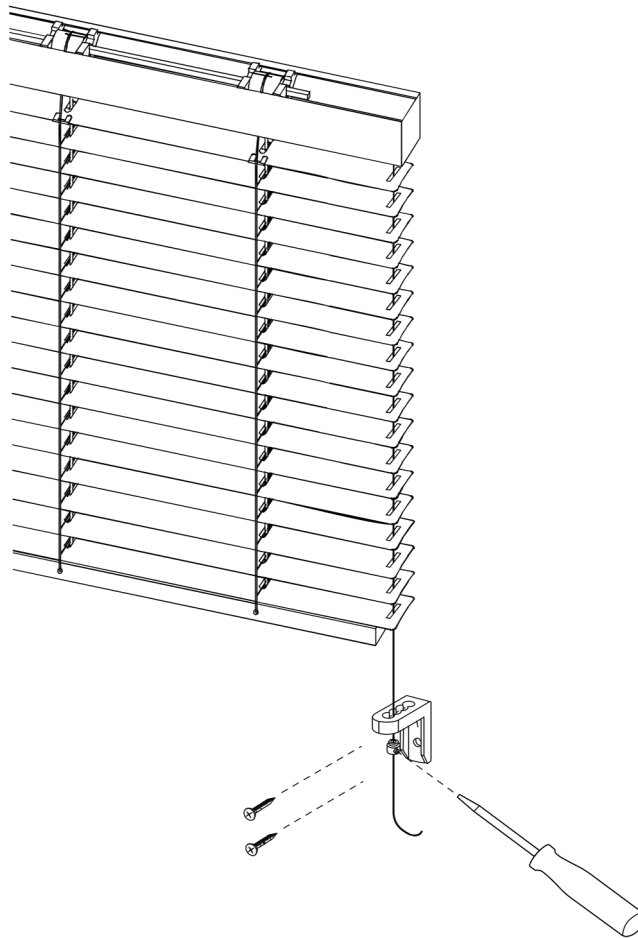
Place the masking panel on the gutter of the wooden blind.
It is equipped with Velcro which sticks to the gutter.



Step IV

Cables guiding the wooden blind.

The illustrations below show the method of installation. After installation, cut off the excess cords. The steel cables must be firmly tensioned.



Step V

A bracket should be fixed to the wall to tie the excess cord. This will prevent the cord from hanging vertically and posing a danger to small children.



WARNING

Young children can be strangled by the loops formed by cords, chains and pull-straps operating the window coverings. They can also wrap the cord around their neck. To avoid looping and entanglement, keep cords out of the reach of young children. Move beds, cots and furniture away from window curtain cords.