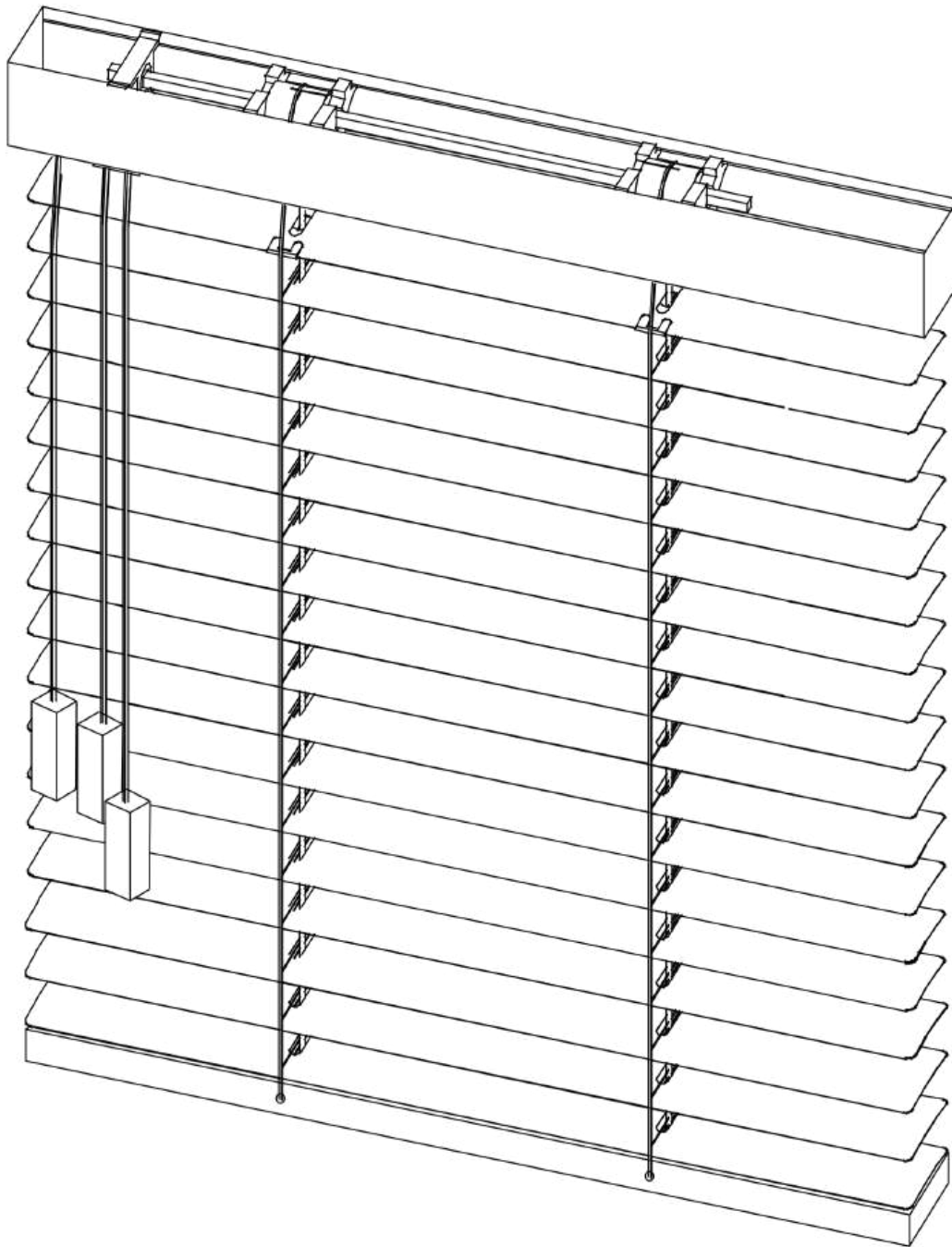
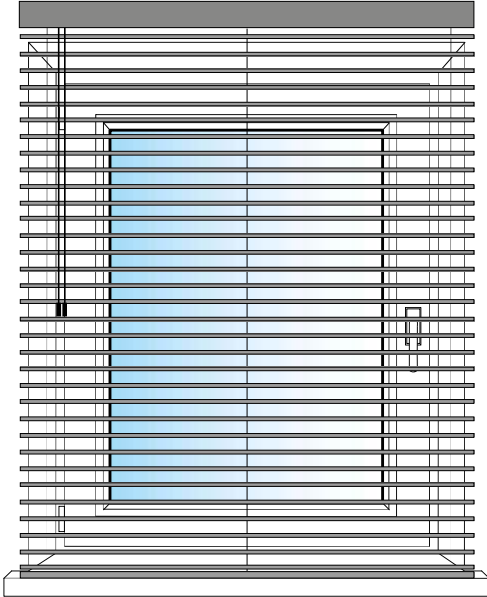


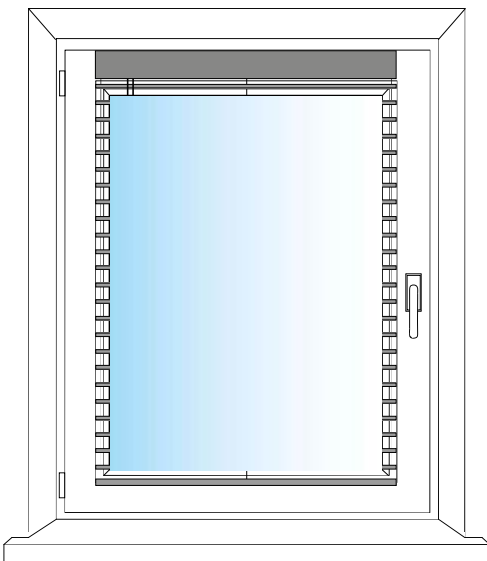
Installation instruction for wooden blinds 50mm.



Depending on the type of installation you have chosen, there are 2 ways to install 50mm wooden blinds.

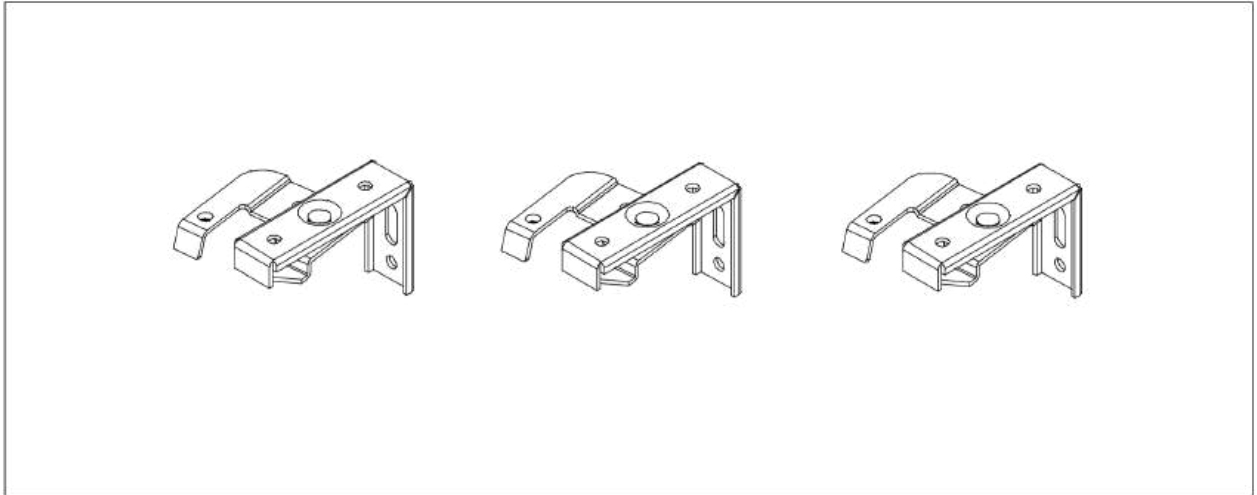


**Wall or ceiling
mounting**



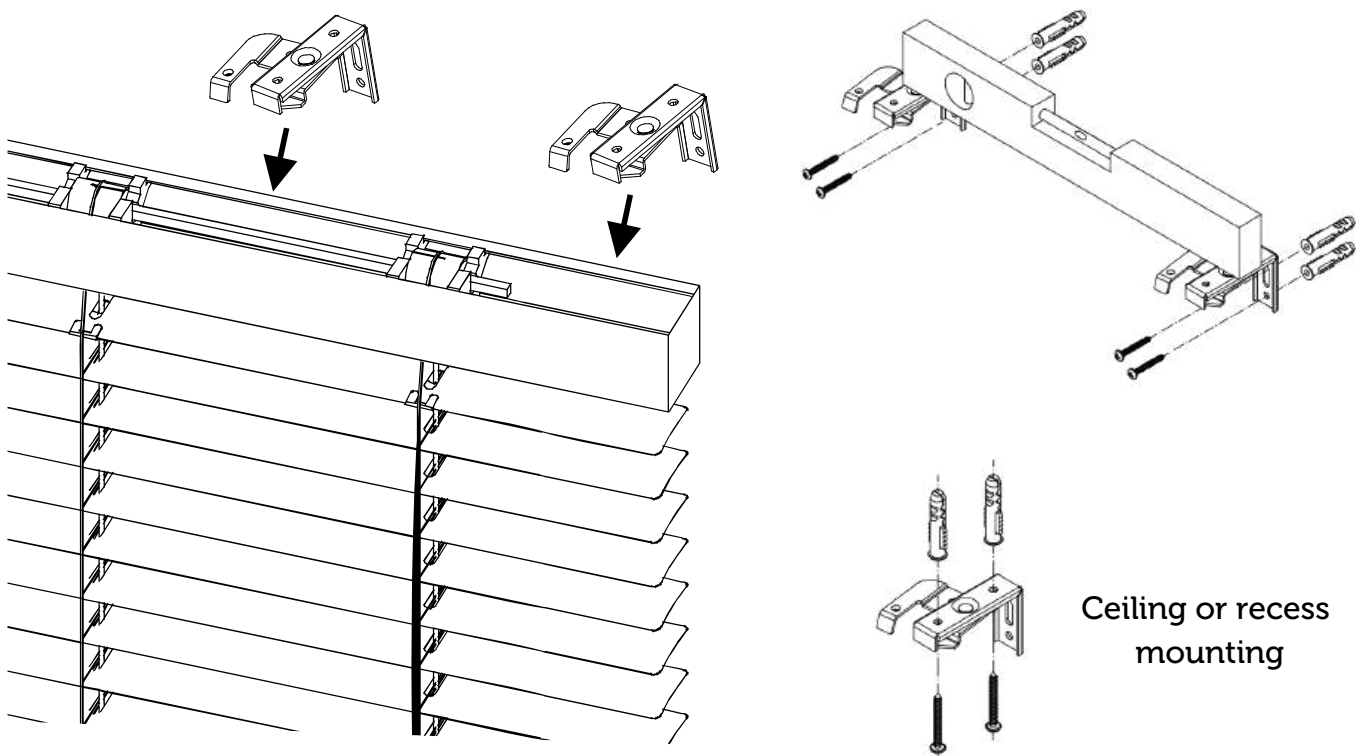
**Mounting on the window,
on the window frame**

The following mounting brackets are supplied with the blind. Their number depends on the width of the wooden blind. Minimum 2pc, maximum 5pc. The kit does not include assembly pegs or screws, as the choice of these is up to the customer and depends on the material from which the walls of the building or the window frames are made.



Step I

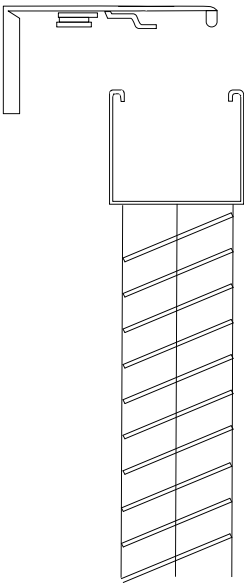
Install the mounting hangers in such a way that they do not interfere with the components inside the gutter. The wooden blind must be mounted horizontally for it to work correctly.



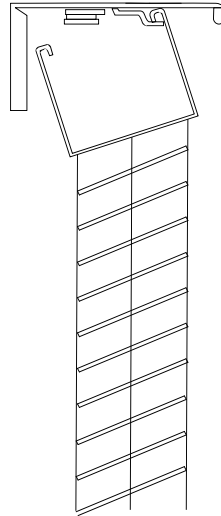
Step II

Attach the blind to the mounting hangers. See the 3 following illustrations showing the order in which the blinds are fitted in the hangers. The last step is clicking the hanger lever.

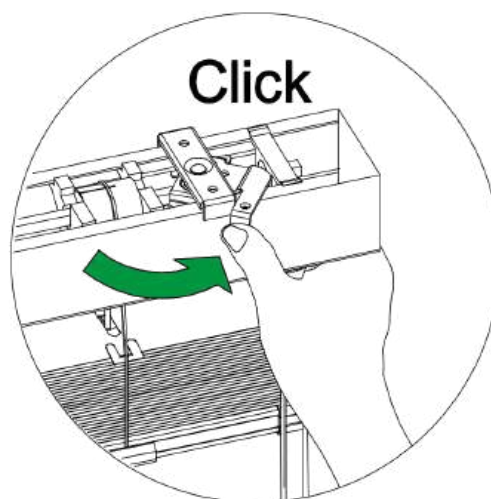
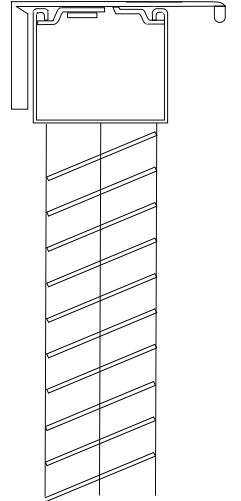
1



2

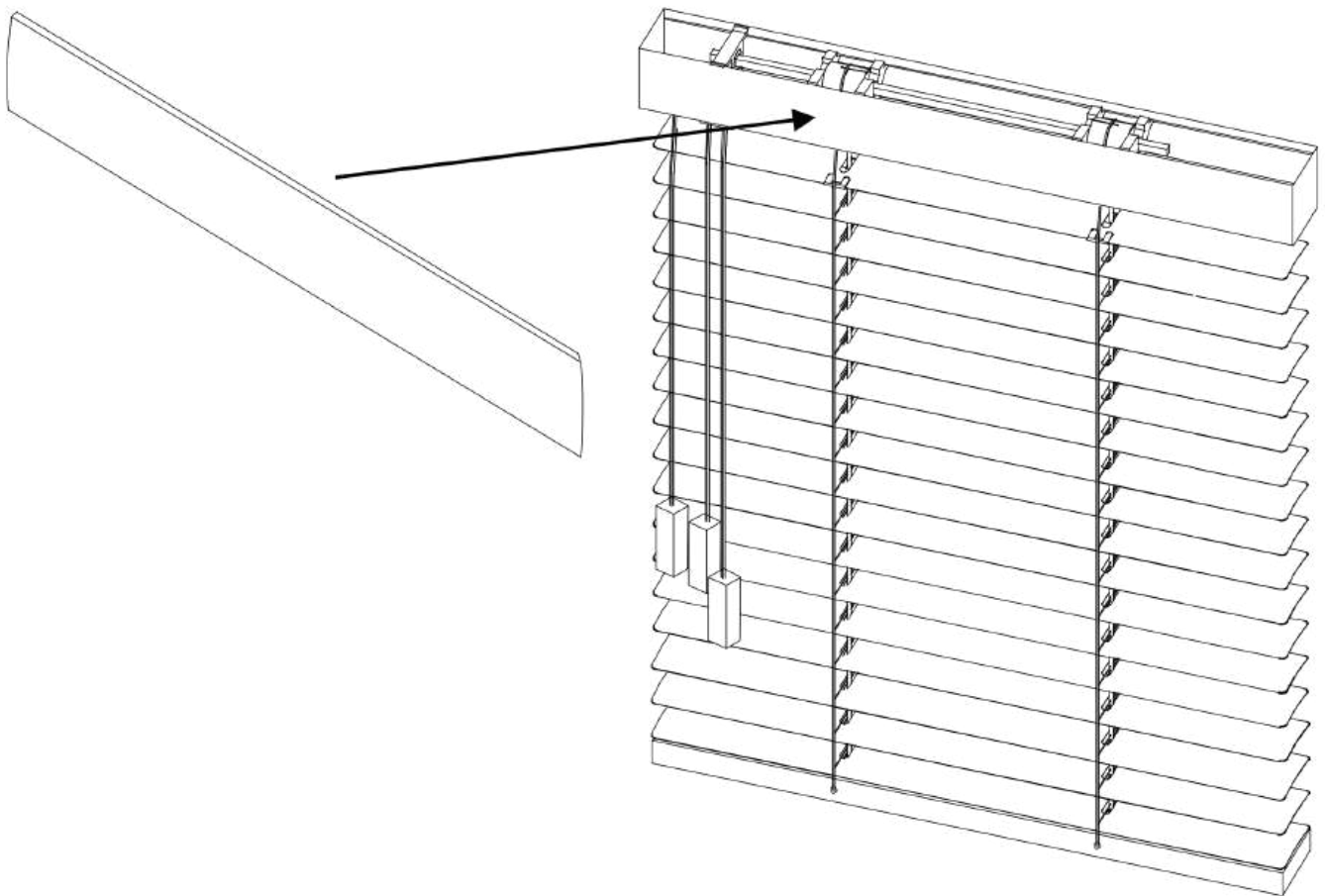


3



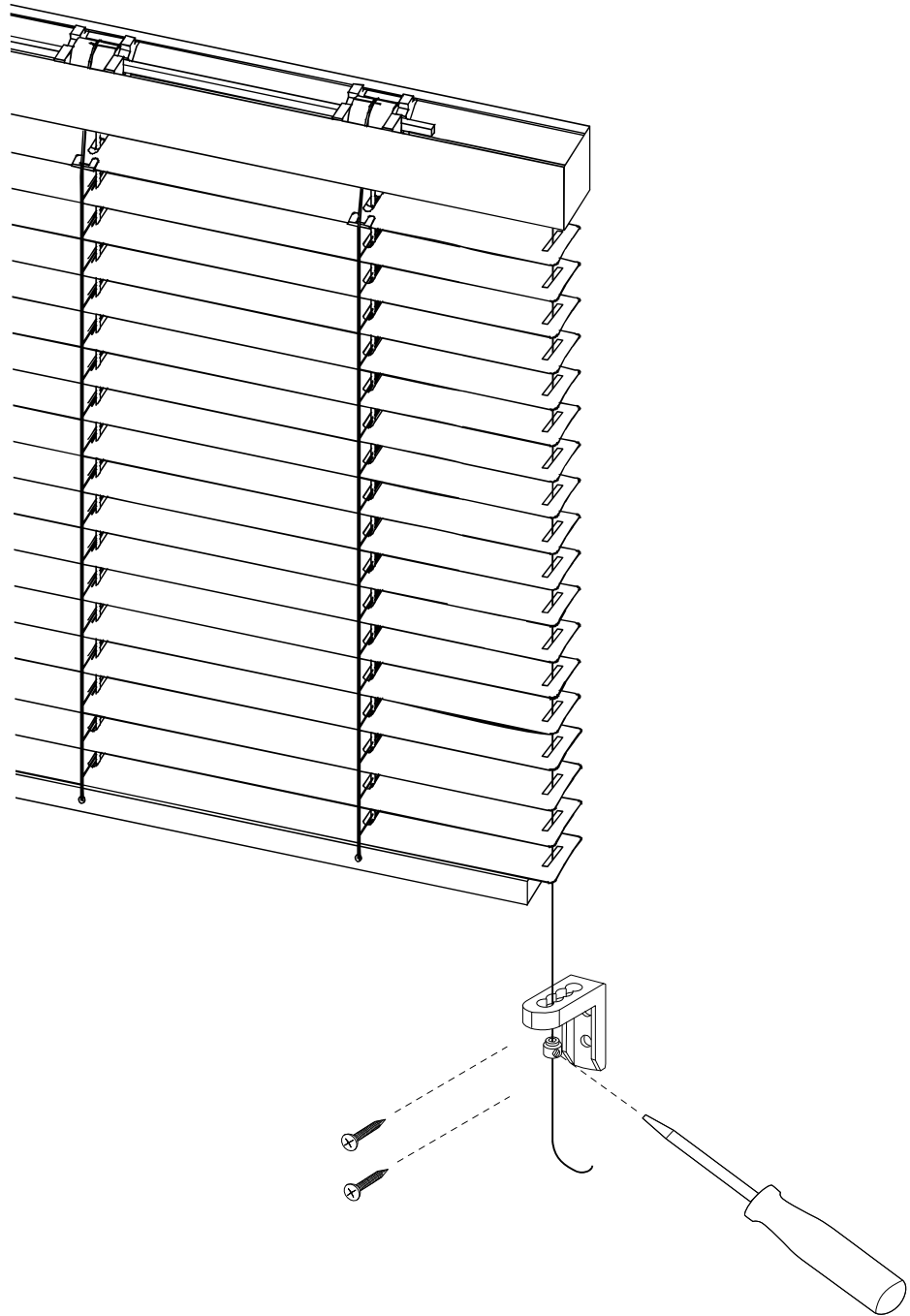
Step III

Place the selected masking cover on the gutter of the wooden blind. It is equipped with Velcro which adheres to the gutter.



STEP IV OPTION

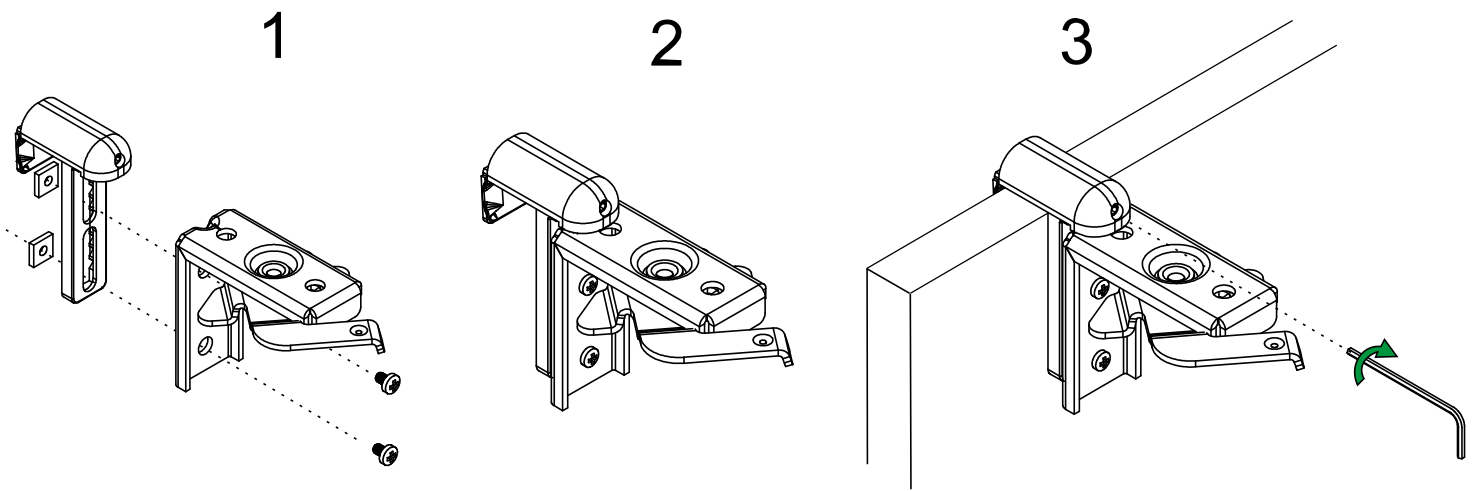
If side guidance is selected, additional accessories are added. The following illustrations show the method of installation. After installation, cut off the excess cords.



Step V OPTION

If non-invasive installation or non-invasive installation with side guidance is selected, additional accessories are included. The following illustrations show the method of installation.

Non-invasive bracket for frame installation



Non-invasive bottom bracket, for side guidance

