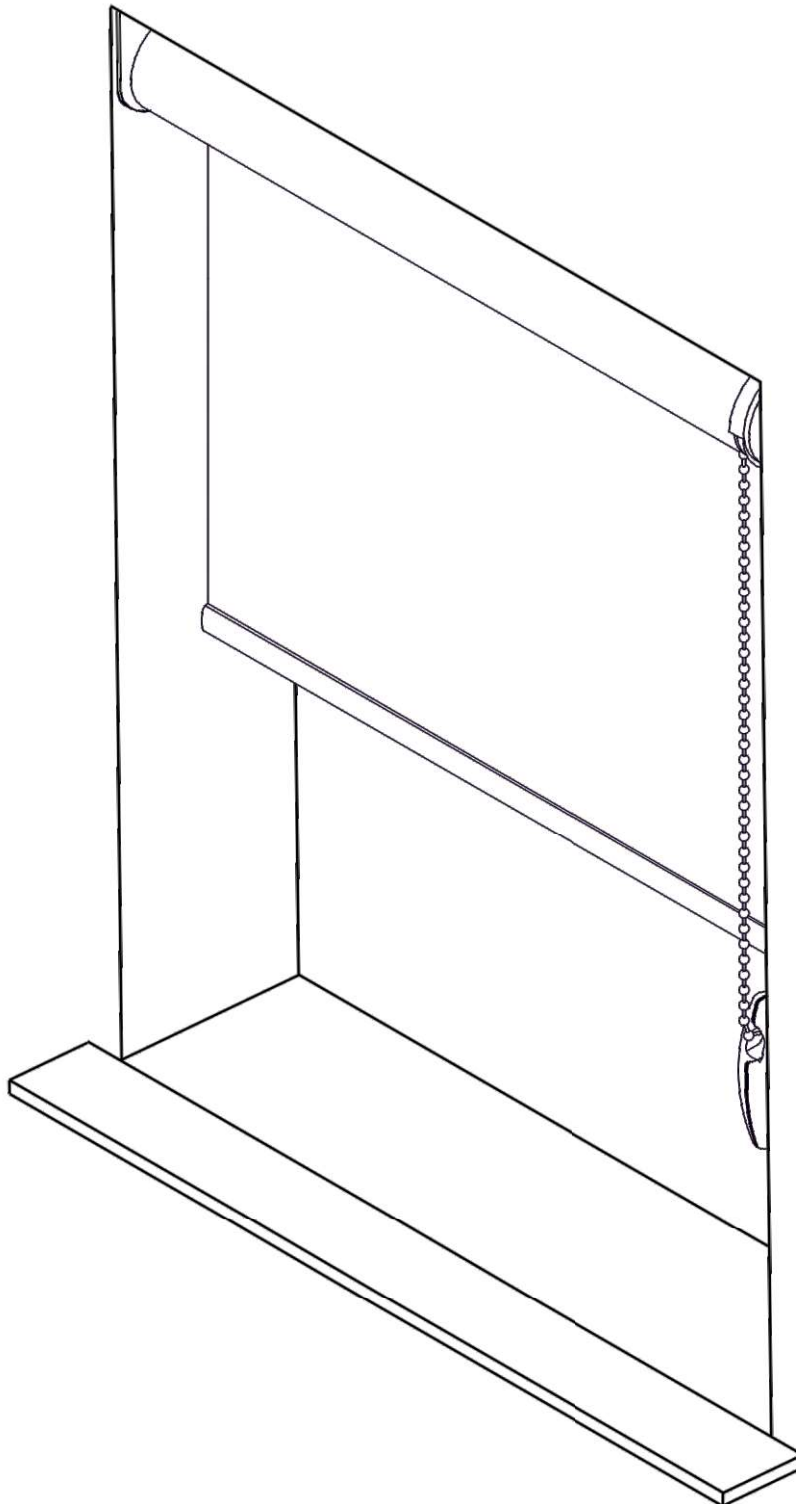


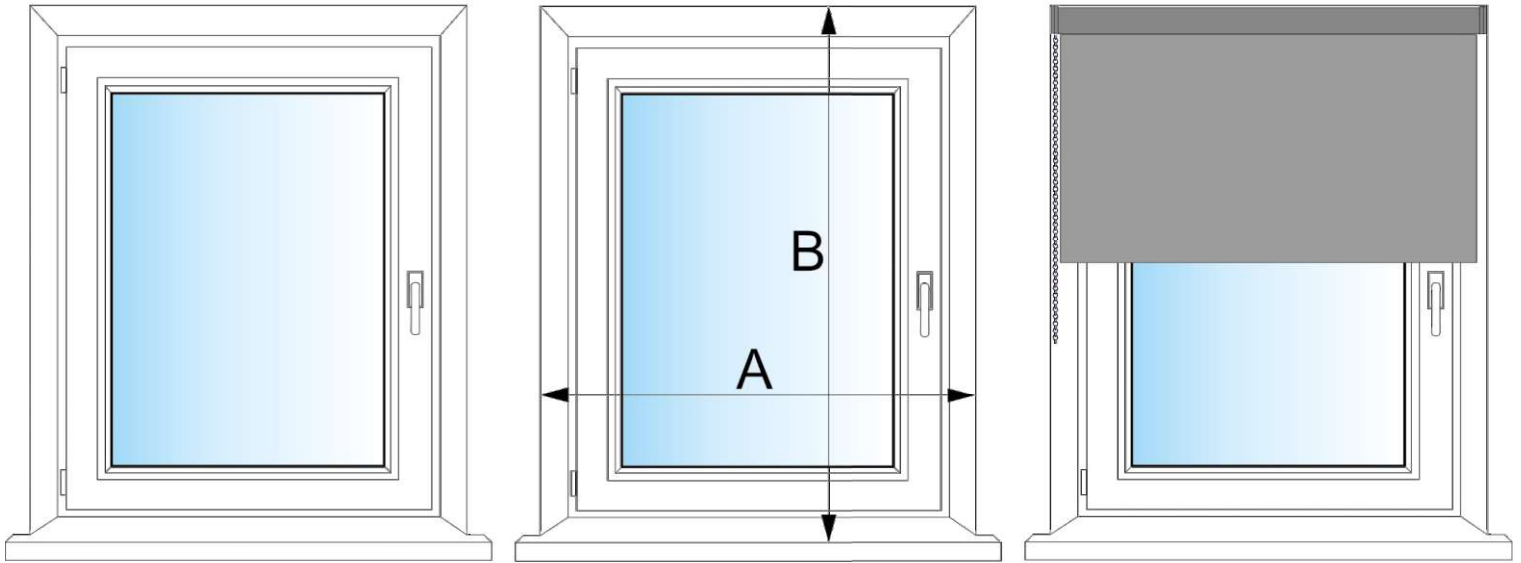
## Measuring instructions for fabric blinds mounted in the recess



Select a window

Measure

Install



Dimensions are provided in millimetres (mm).



Enter the width of the roller blind and the height of the roller blind. This is the total width of the blind with the control mechanism and catches. The fabric will be 43 mm narrower.

Fig. 1

Measure the width and height of the window recess. Fig. 1

Entering the desired width in the configurator, enter the value obtained from the measurements minus 5 mm.

**Example: A = 1200 mm**

**1200 - 5 = 1195 mm.**

Enter the desired height in the configurator, the value obtained from measurements **B**.

