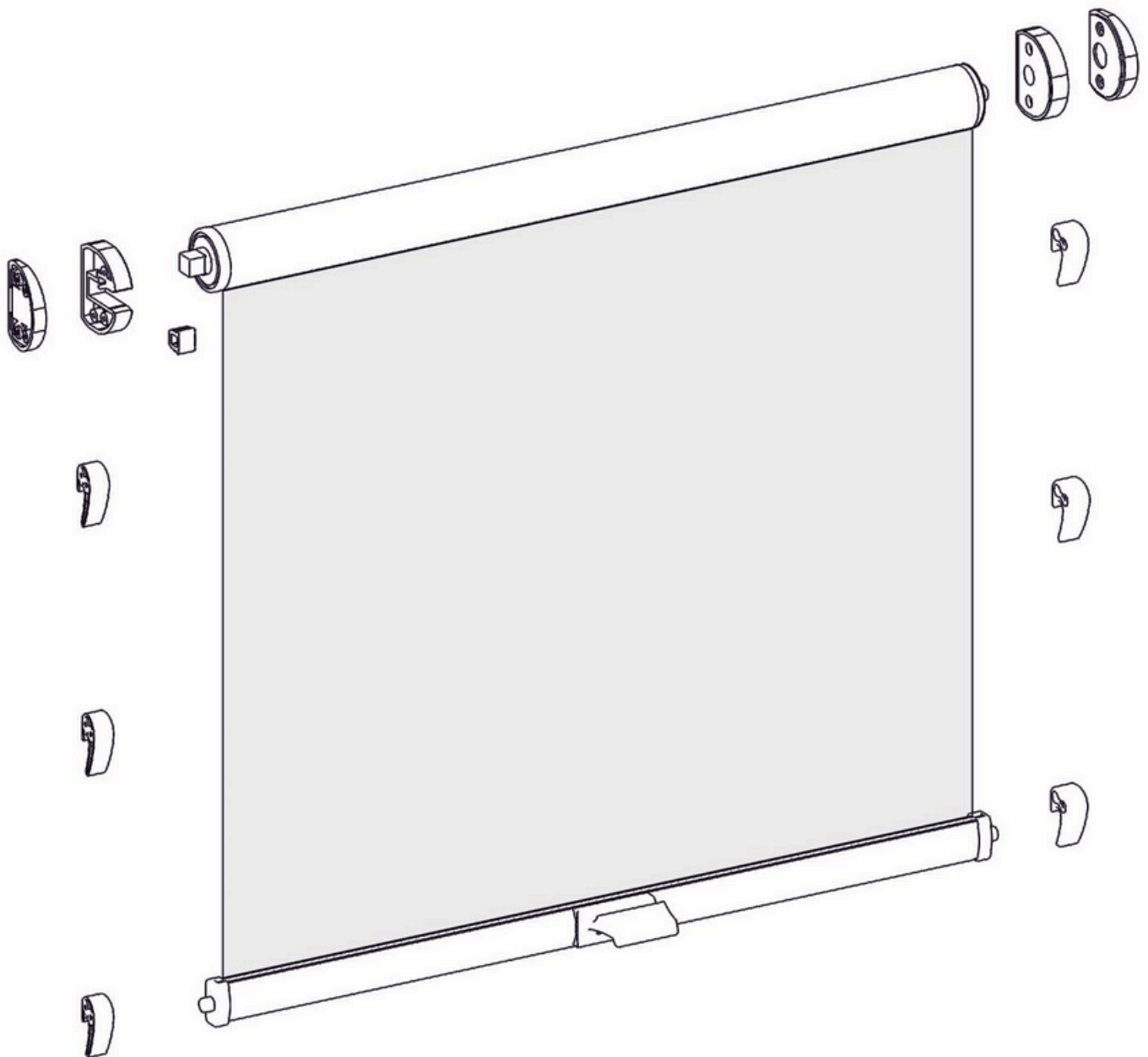


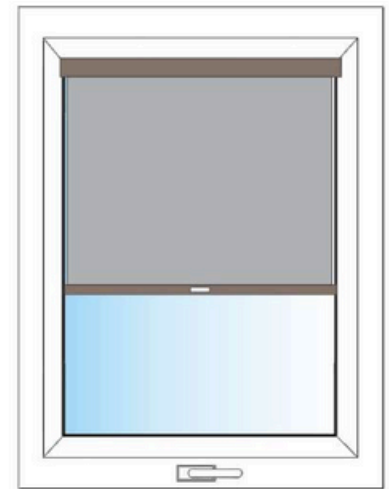
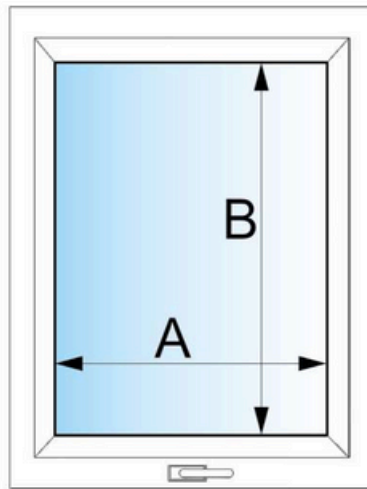
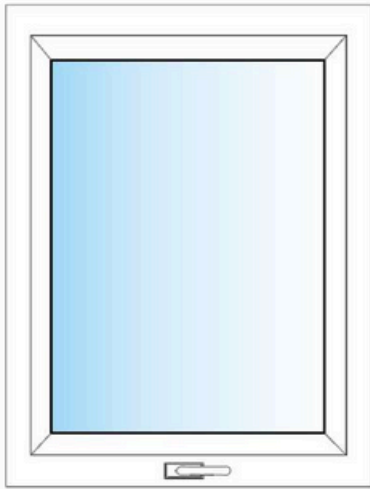
Measurement instruction for fabric roller blind on the roof windows.



Select the window

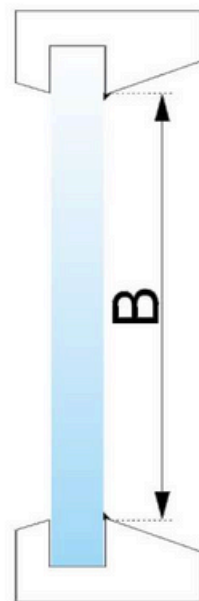
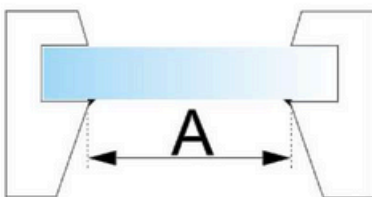
Measure

Mount the blind



! Dimensions are provided in millimeters (mm). The fabric of the blind will be 2,5 cm narrower than the width specified in the order. 1,25 cm on the left and 1,25 cm on the right side. This is due to the specificity of the product.

Pic. 1.



By measuring the width and height, check the dimensions inside the skylight recess, right next to the glass. (Pic. 1)

When entering the desired dimensions, enter the values of your measurements in the configurator:

Some windows may have a rim. If this is the case, please specify the width including the rim. Pic. 2.

Width = A
Height = B

Pic. 2.

