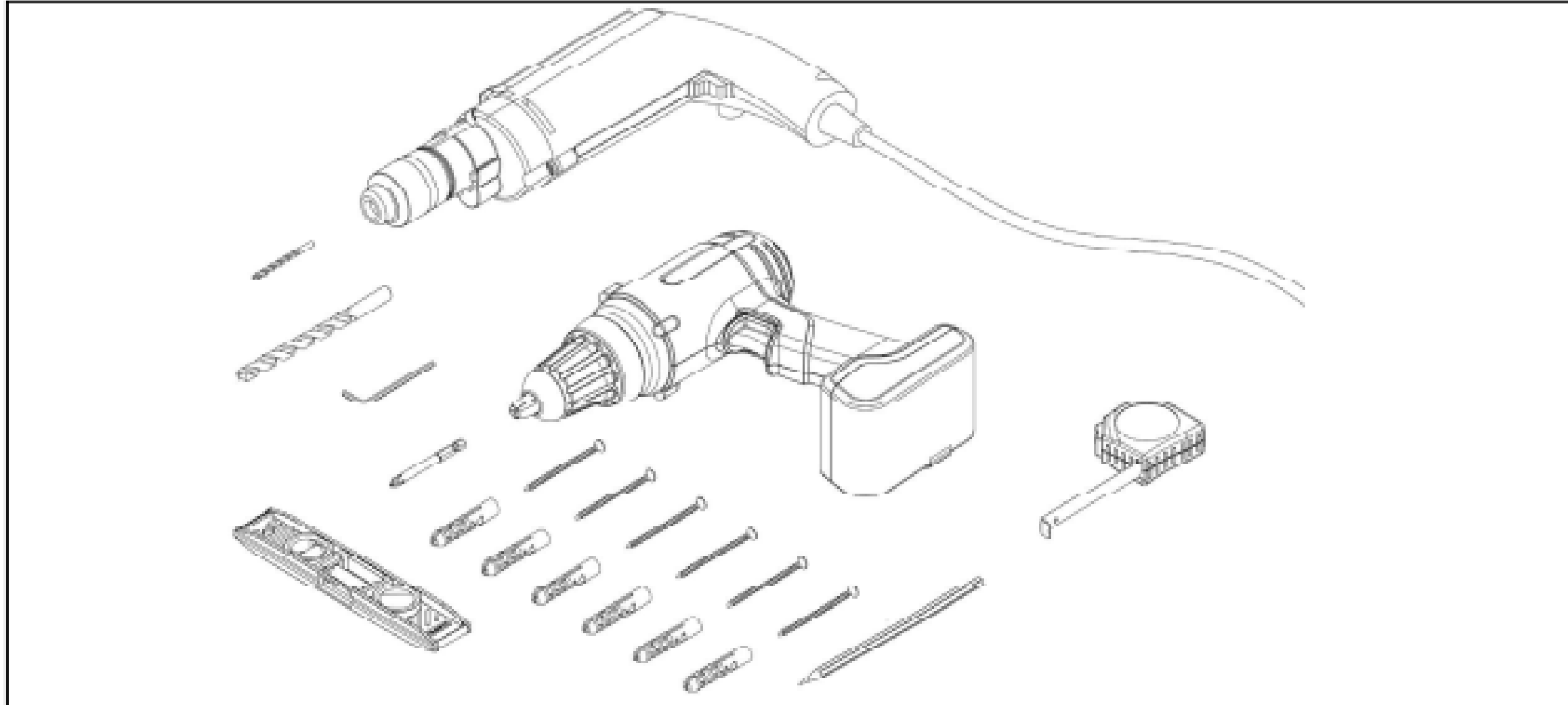


Installation instructions for rolled skylight mosquito nets.
Mounted to wall, in front of window recess at attic.

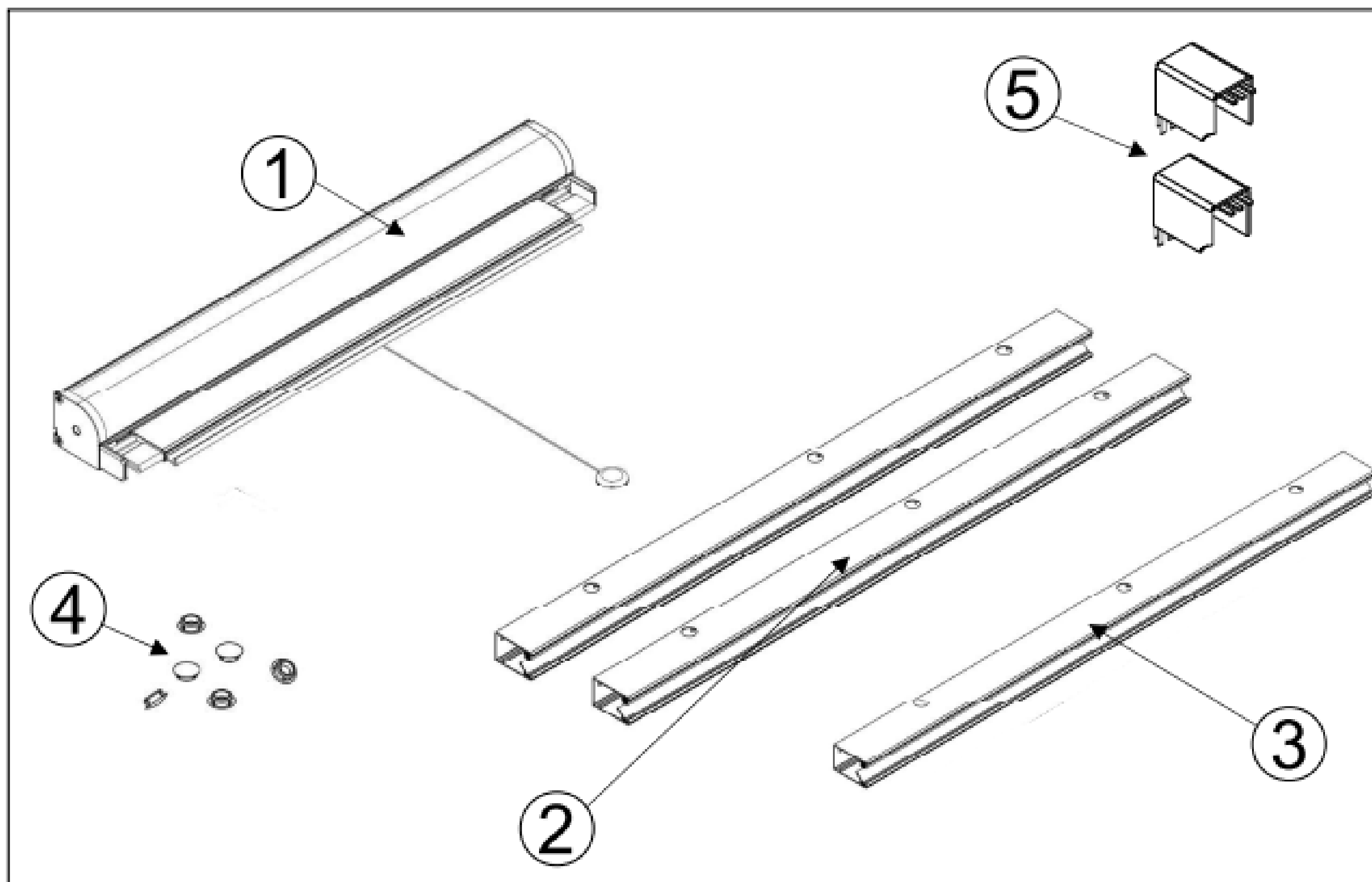


The necessary tools shown in the figure and the mounting bolts (anchors) will be used for installation. The kit does not contain any anchors and screws, because the selection is customer-specific and depends on the material used for the window joinery.



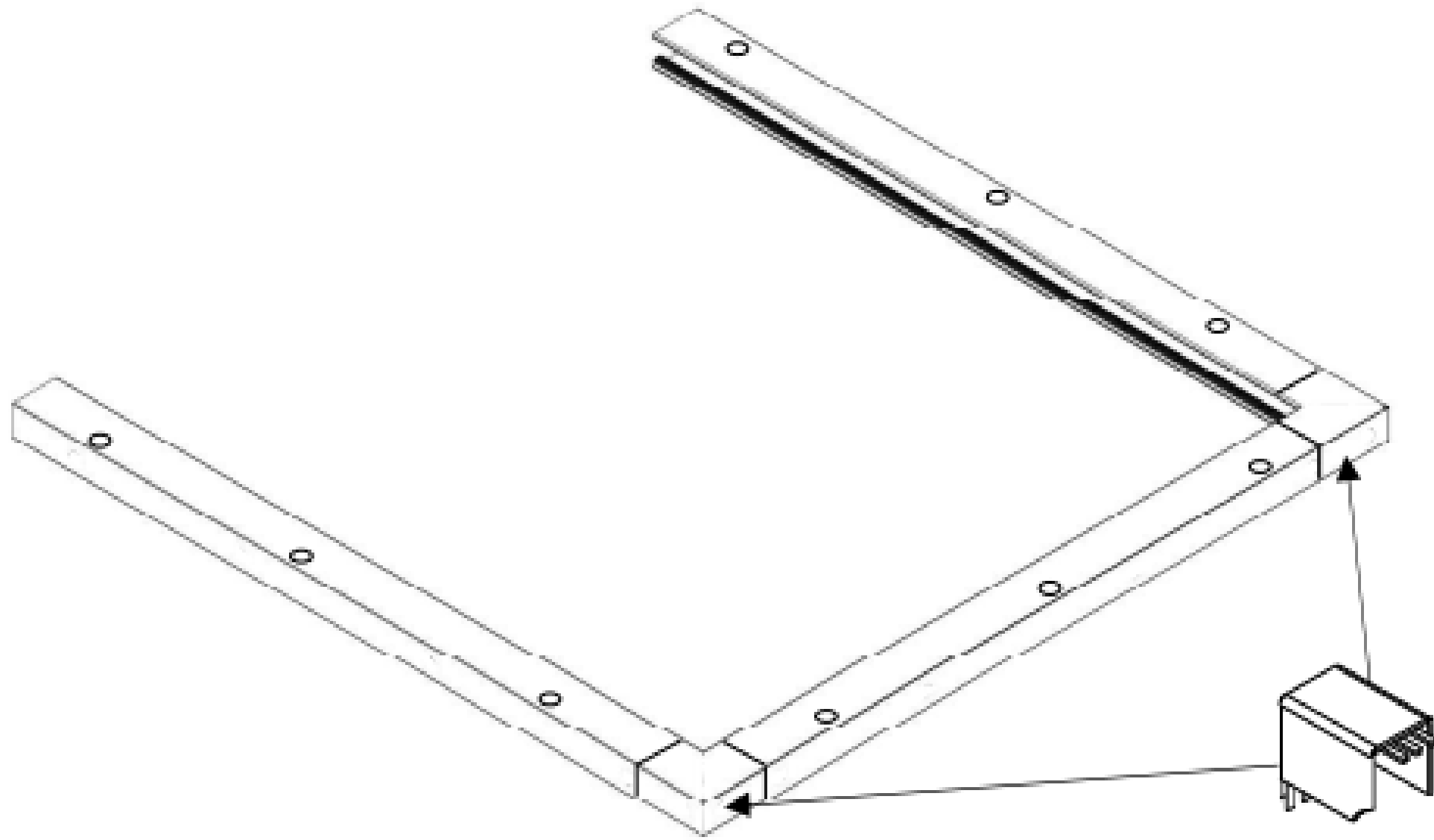
This pack contains:

1. Blind with mosquito grid
2. Side guides
3. Bottom profile
4. Plugs
5. Plastic angle brackets



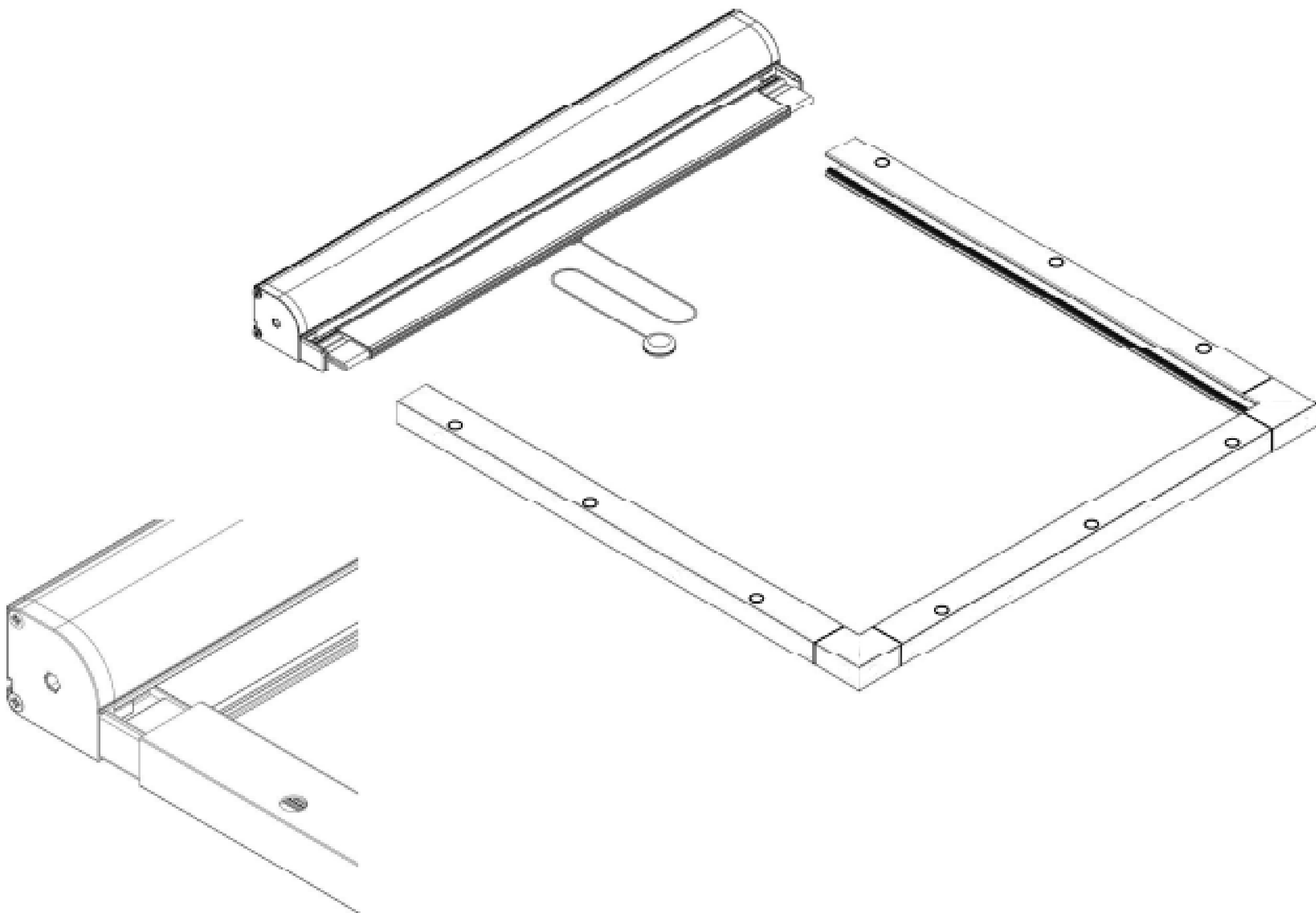
Step I

Connect the guides to the lower profile using angle brackets.



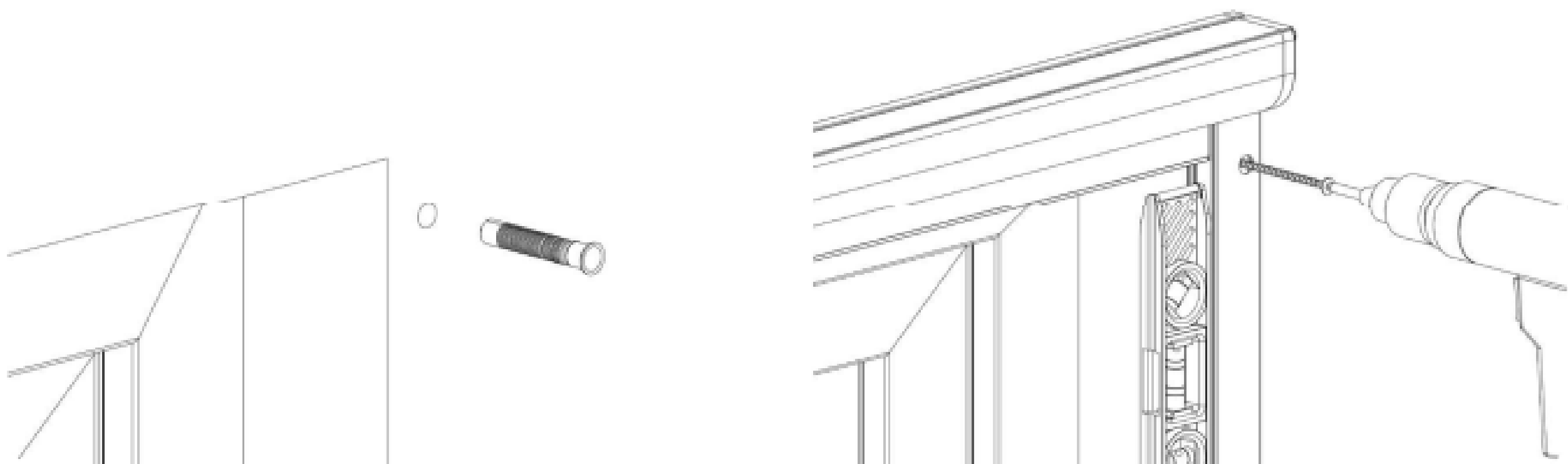
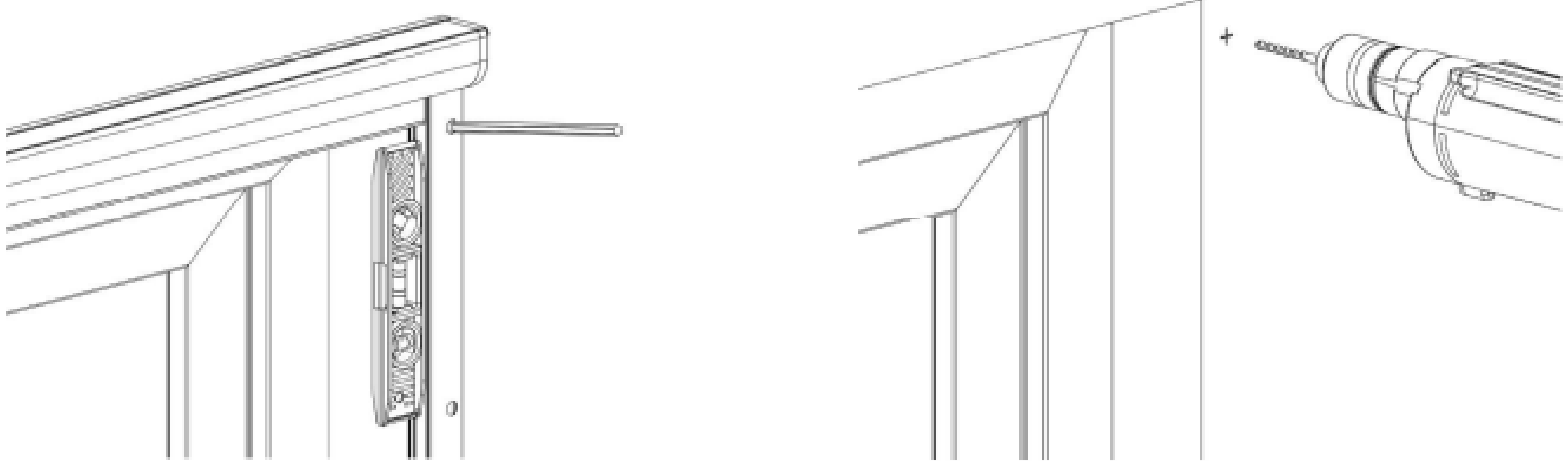
Step II

Push the side guides on the left and right onto the roller blind plunger as shown below.



Step III

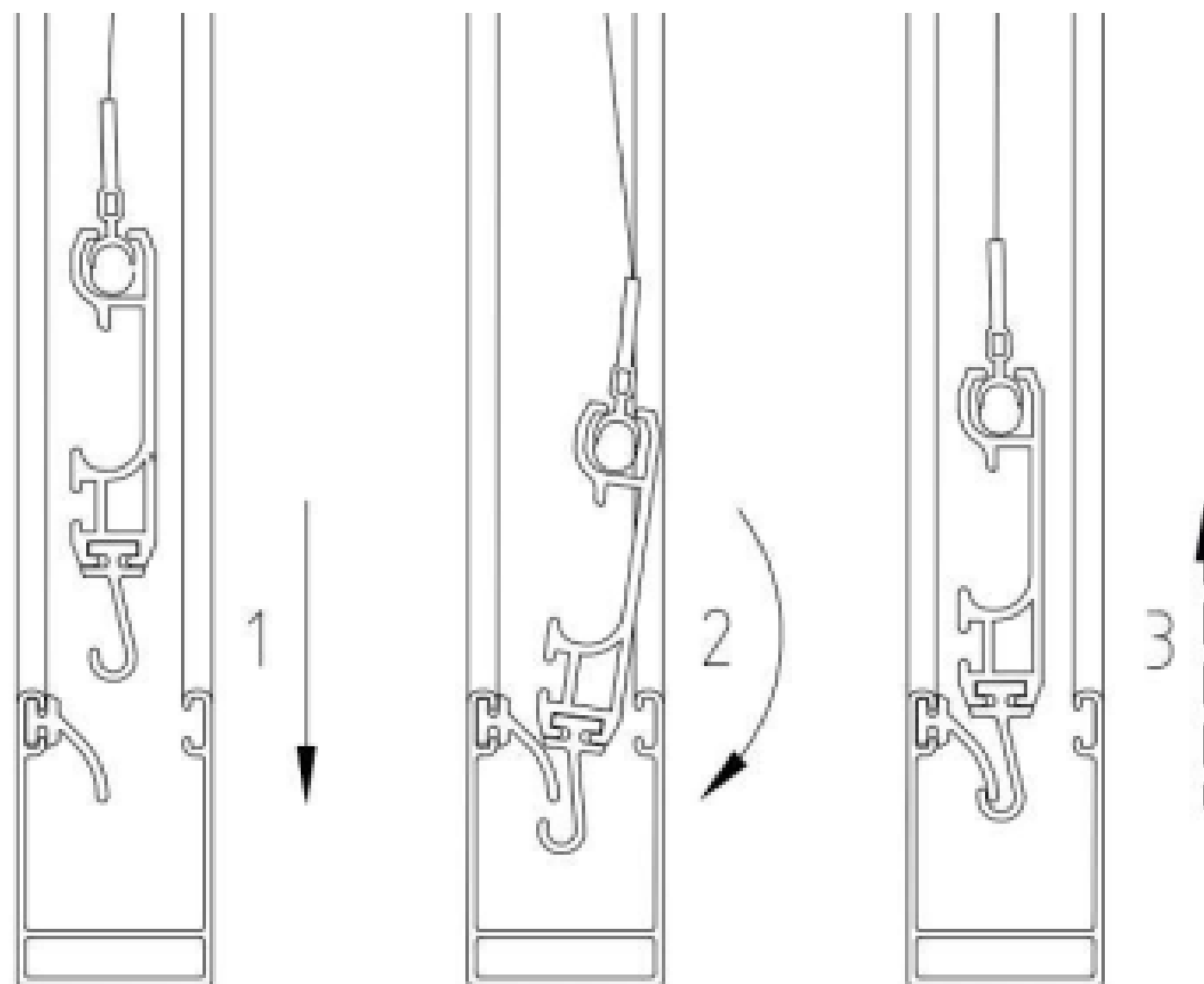
Mark the mounting location and mount the mosquito keeping the horizontal and vertical. After installing, put on the plugs.



Step IV

Closing and opening mosquito net.

Closing a mosquito net involves moving the lower trim to the bottom and hooking the hook onto the lower profile.



Opening mosquito net consists of bending the hook and releasing from the bottom profile.

