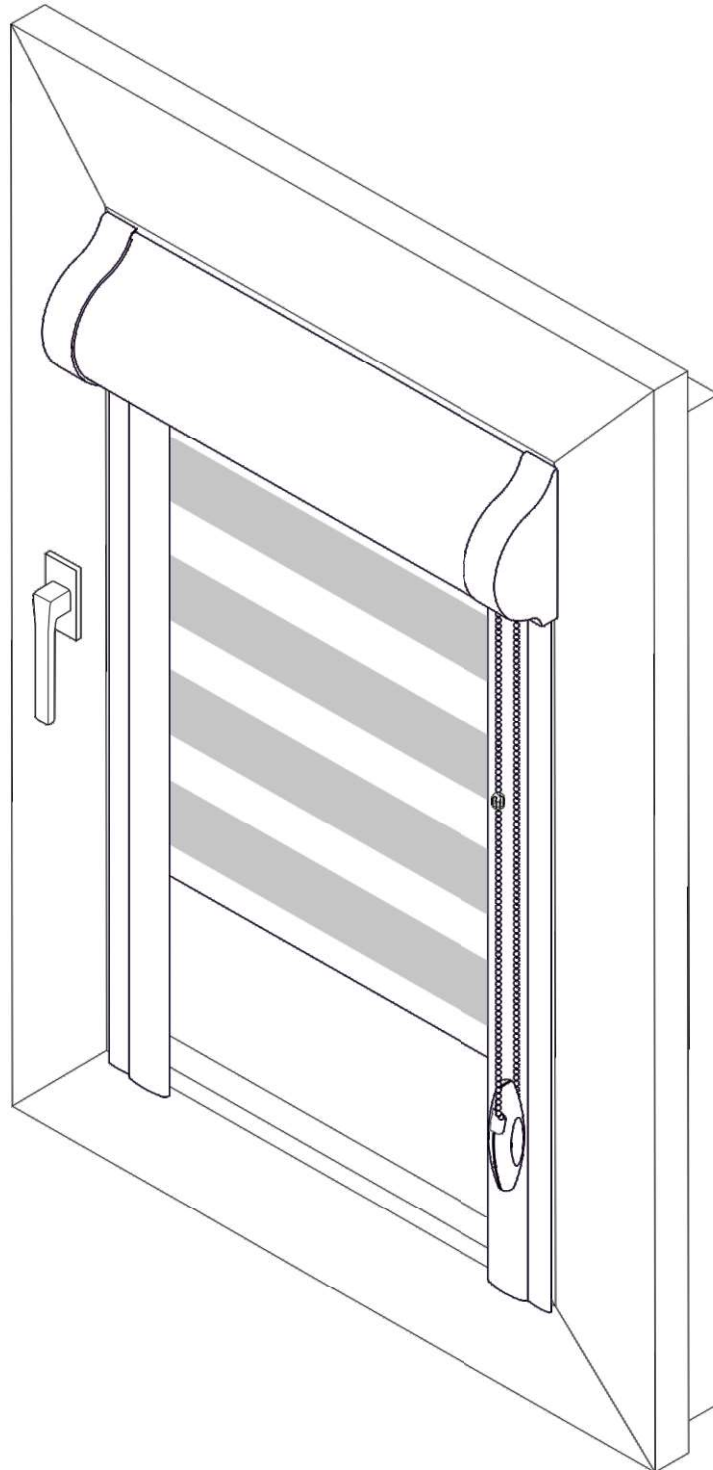
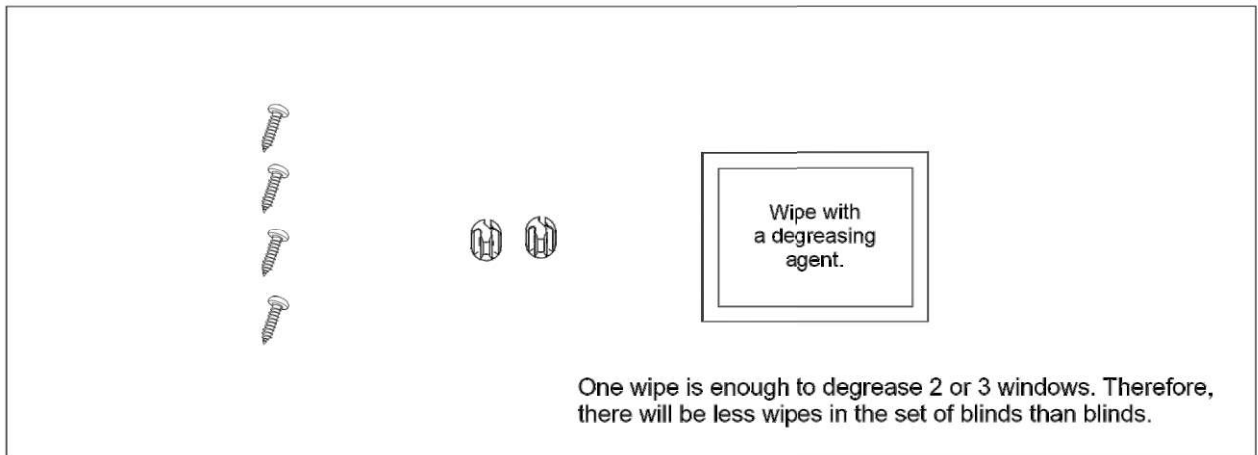


Installation instruction for Day and Night roller blind in a aluminum cassette mounted on the window frame.

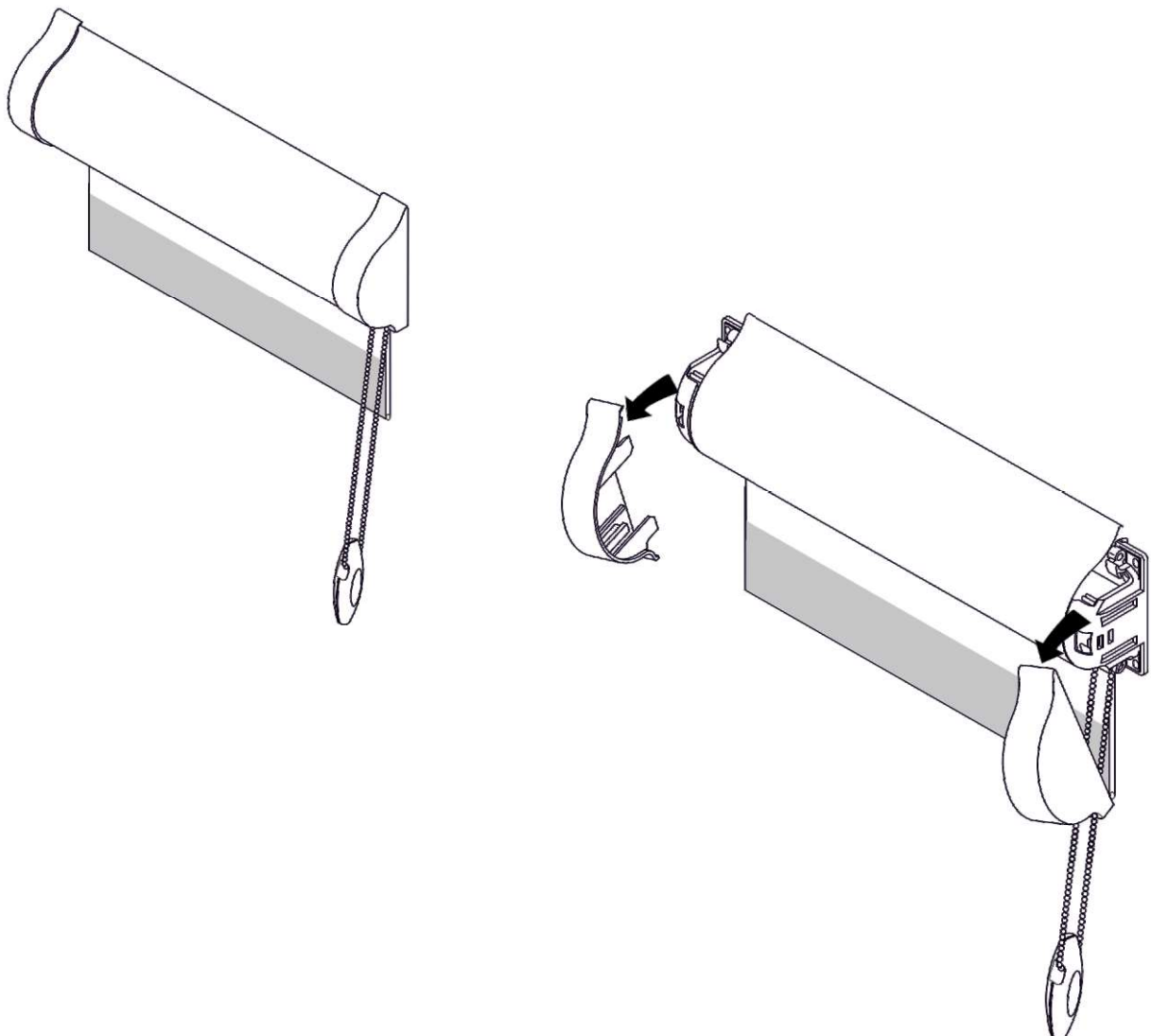


The following mounting elements are included with the roller blind.



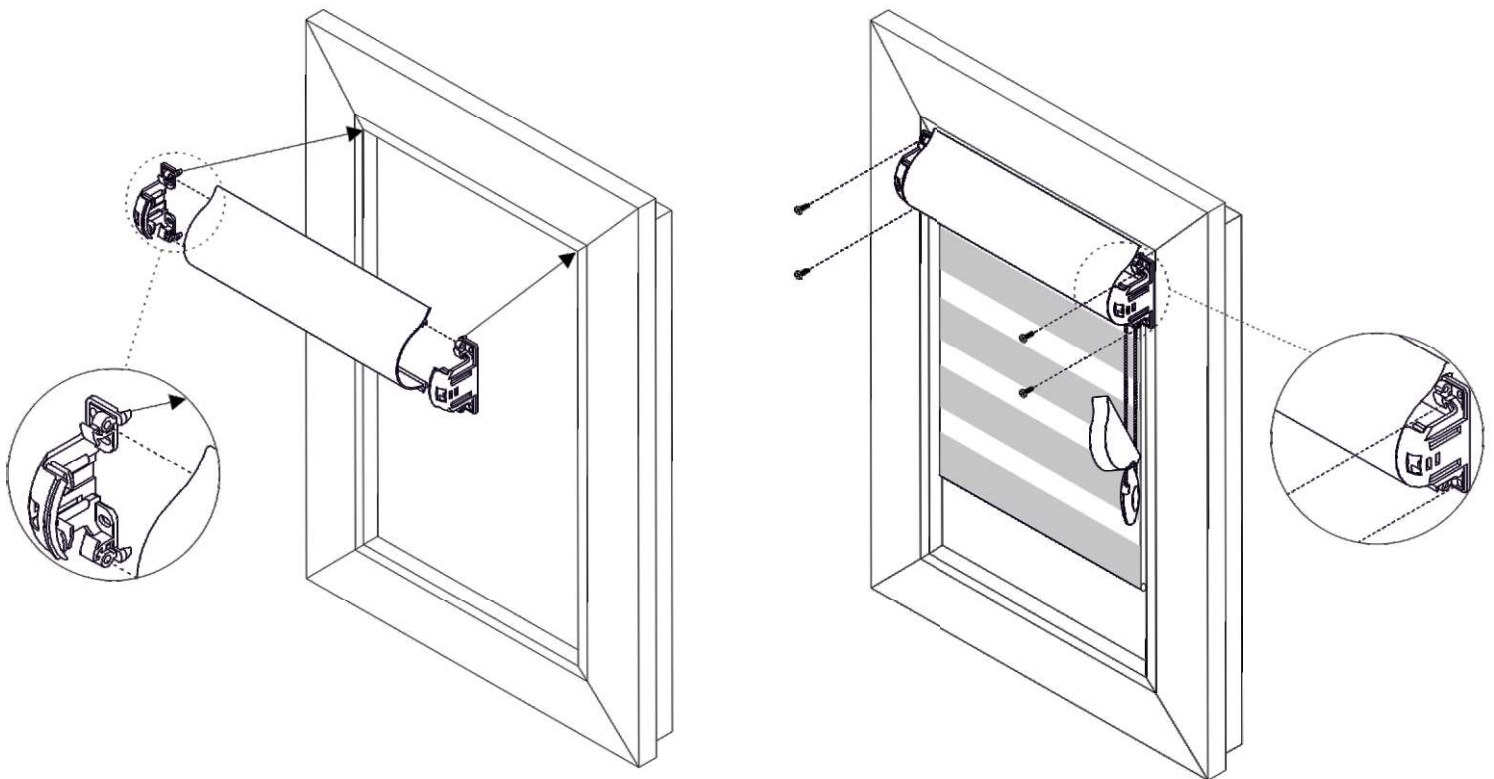
Step 1

Unpack the blind and take off plastic covers according to below illustration.



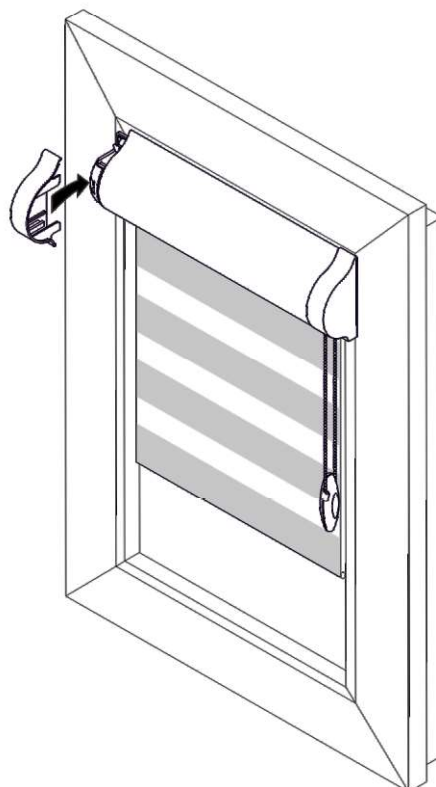
Step II

The blind cassette has elements that set the positions of the blind for assembly. Set the roller blind as shown in the picture and fix it with screws.



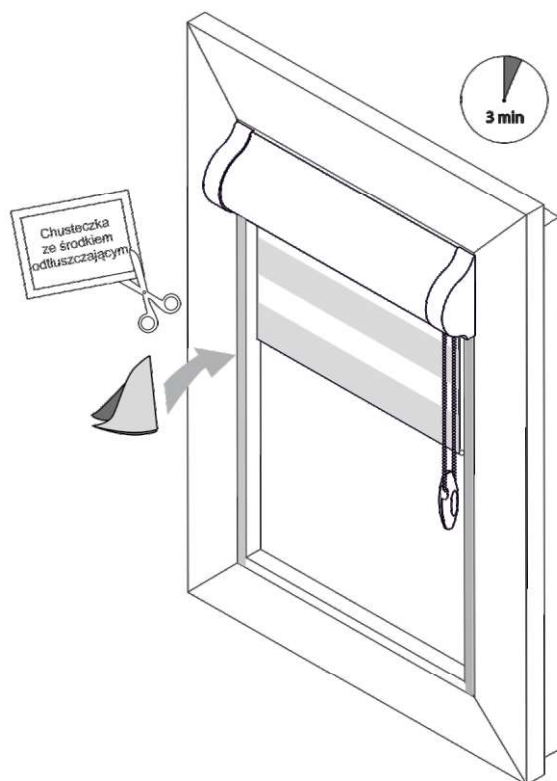
Step III

Put on the plastic covers.



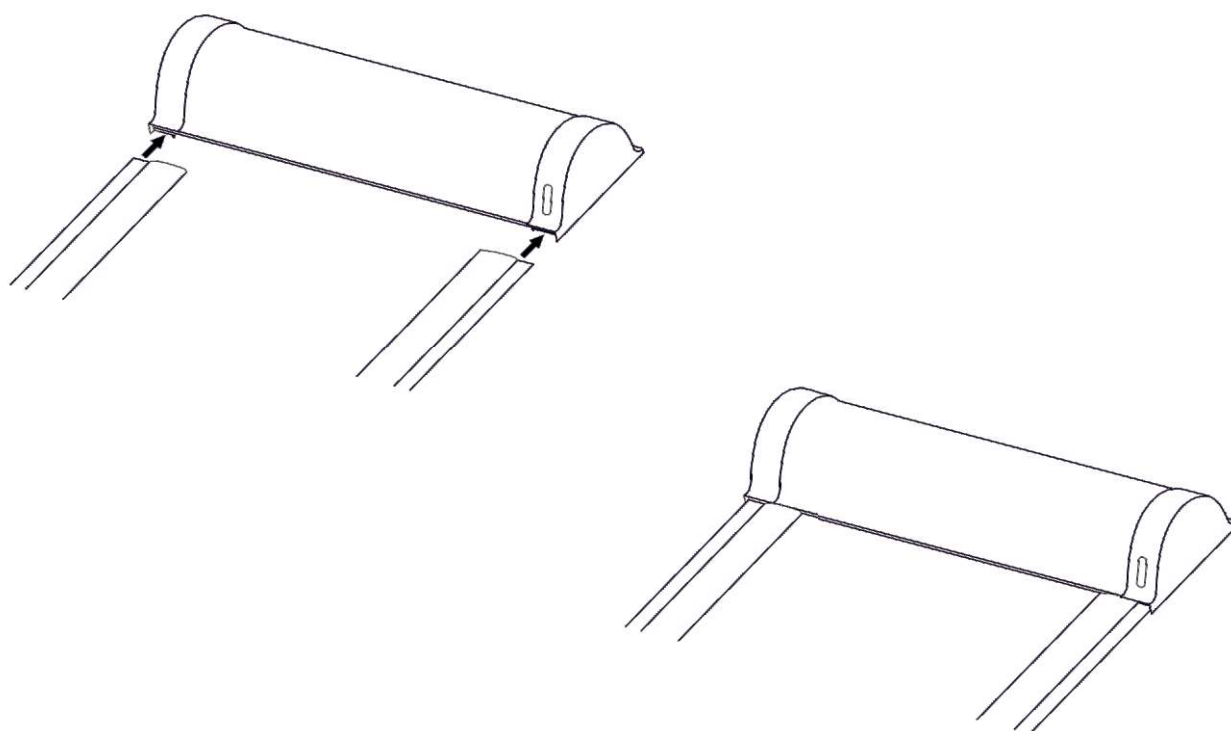
Step IV

Use the supplied tissue to clean the surfaces where the guides will be attached. Wait 3 minutes for the degreasing agent to evaporate.



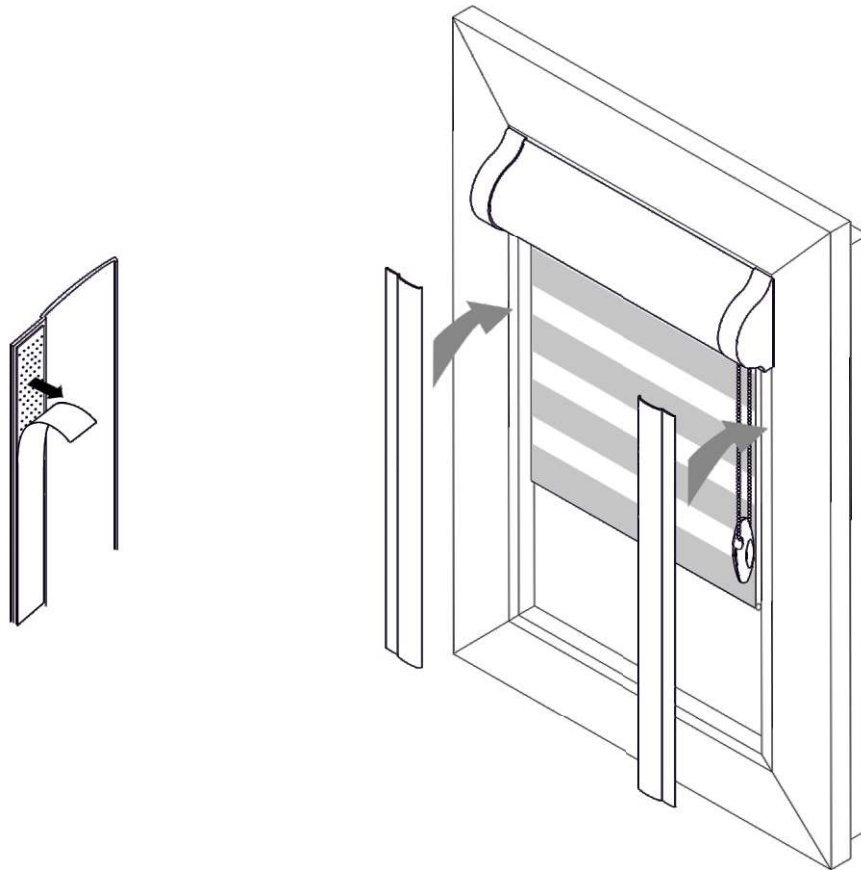
Step V

Try on the cassette guides. They must be glued in the position shown in the illustration below.



Step VI

Remove the protective film from the guides and stick them on.



Step VII

Put the roller blinds position limiters on the operating chain.

