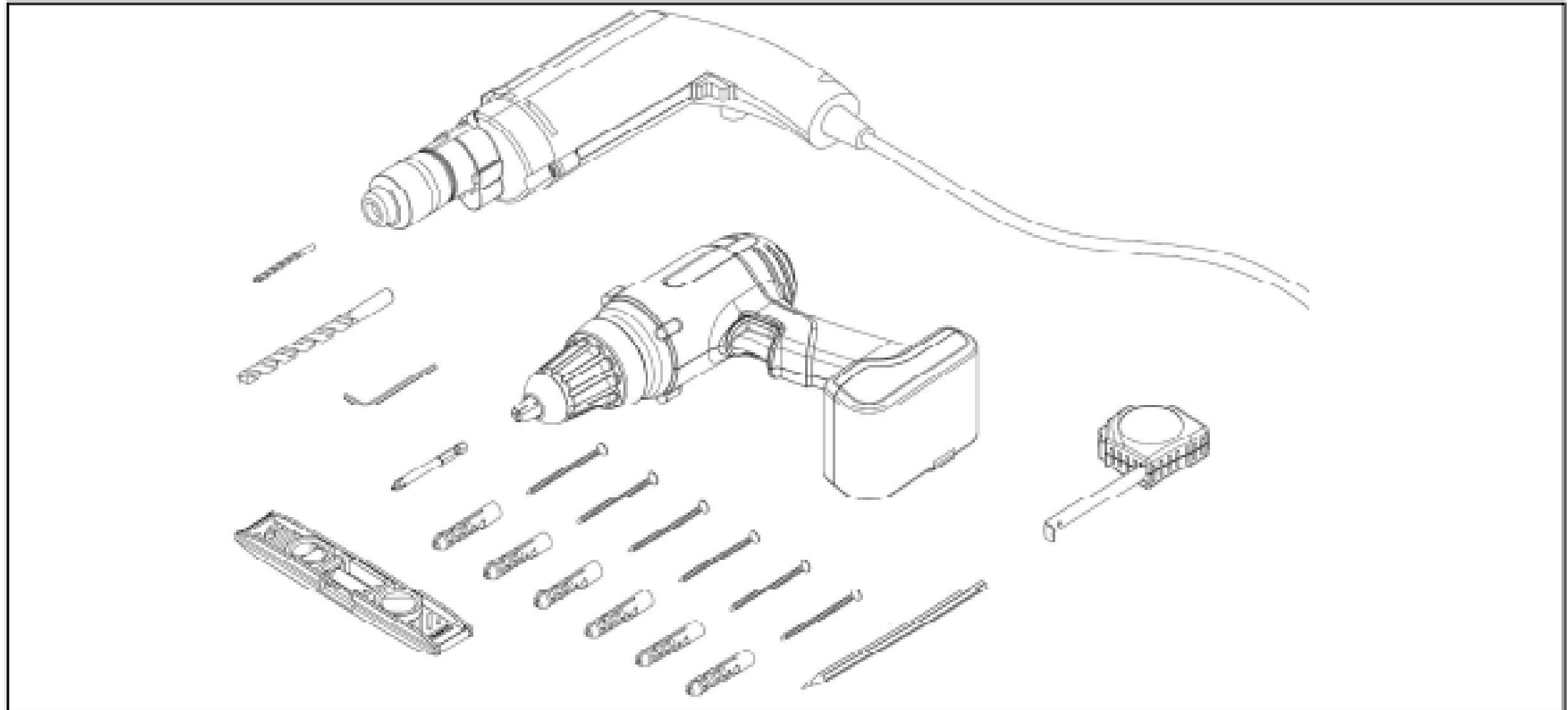


Installation instructions for pleated mosquito net for skylight.
Mounted to wall, in front of window recess at attic.

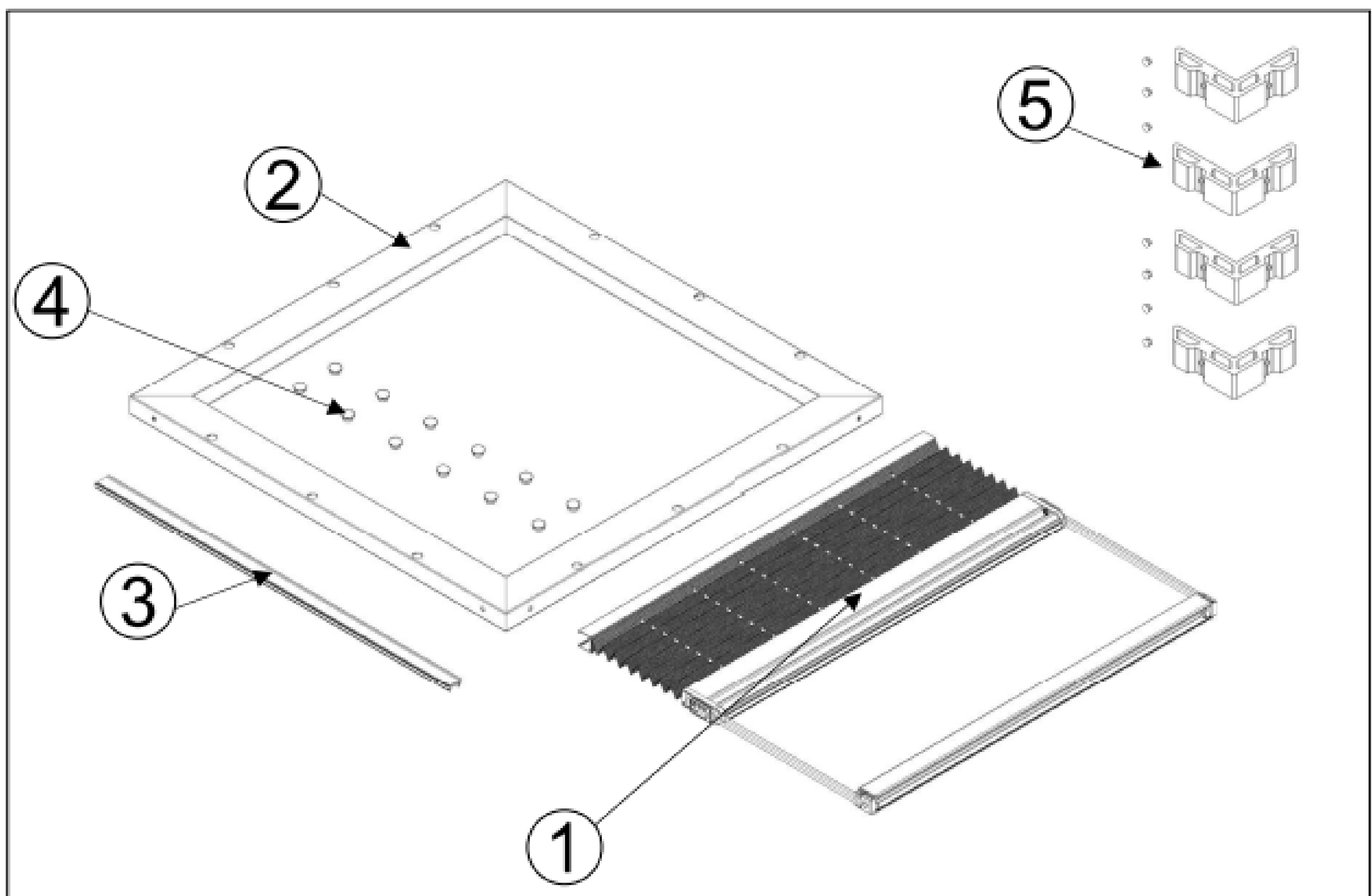


The necessary tools shown in the figure and the mounting bolts (anchors) will be used for installation. The kit does not contain any anchors and screws, because the selection is customer-specific and depends on the material used for the window joinery.



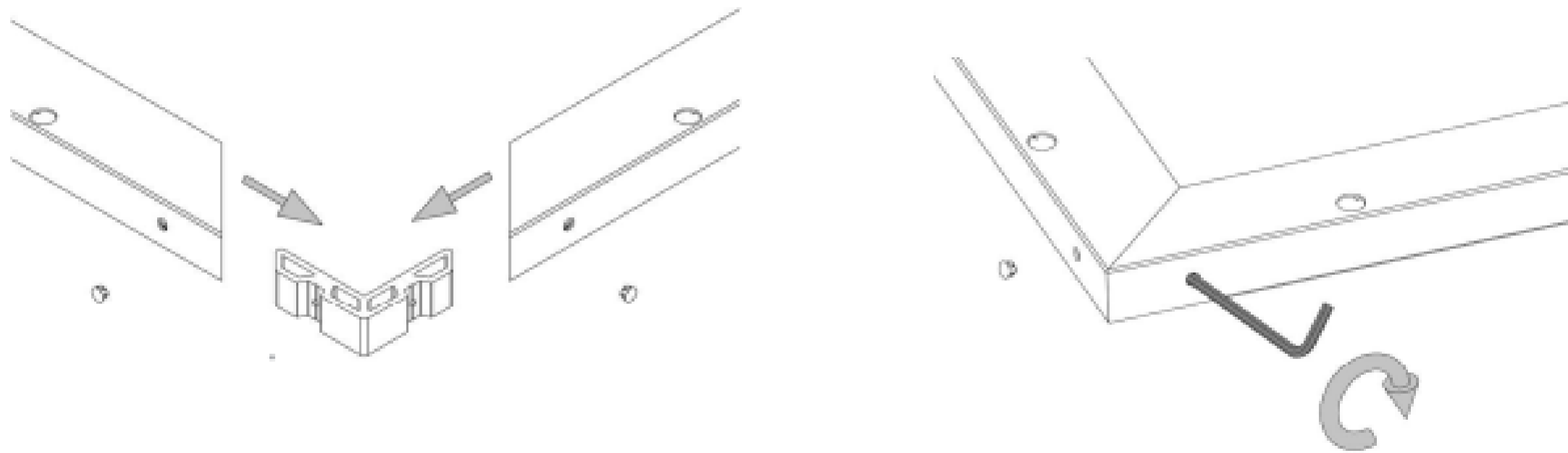
This pack contains:

- 1.Bundle with split grid
- 2.Mosquito frame
- 3.Masking profile with magnetic tape
- 4.Plugs
- 5.The angle brackets with small plugs



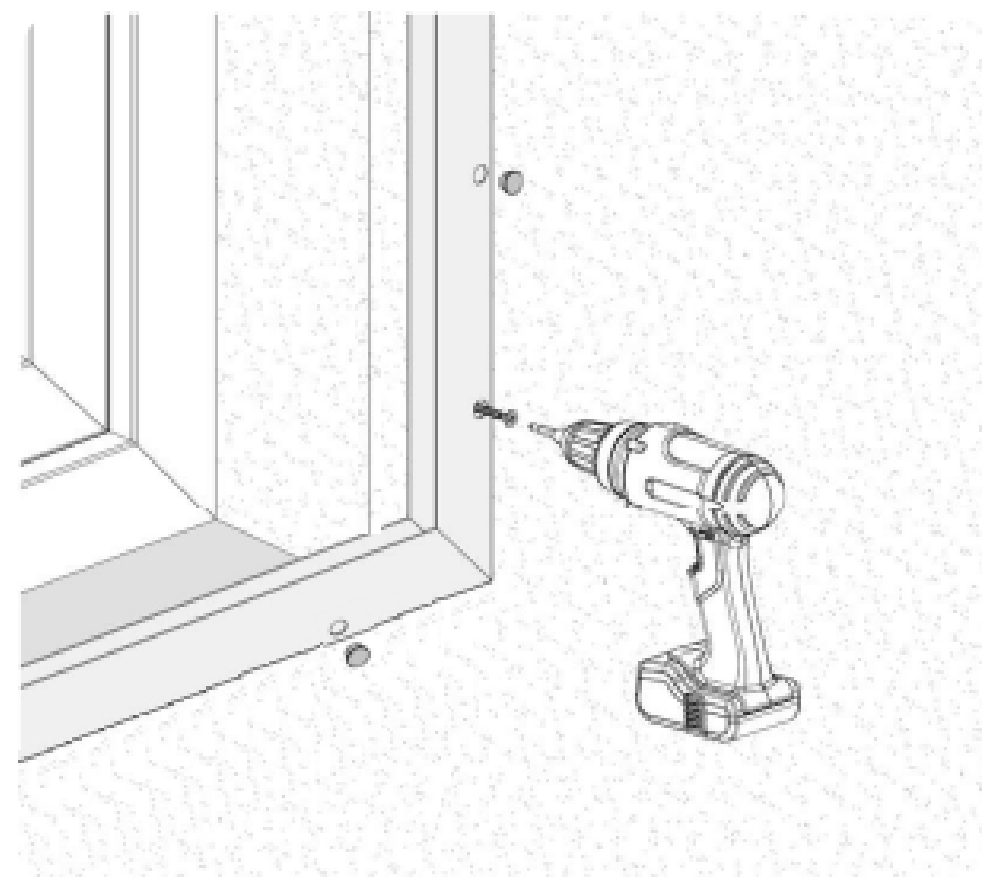
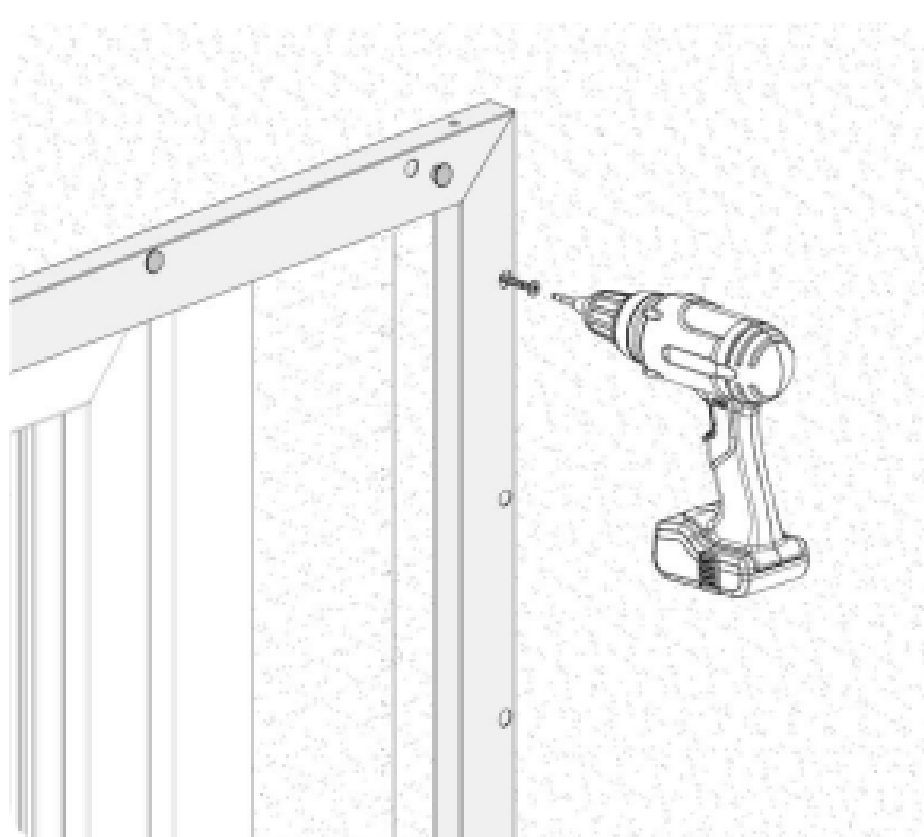
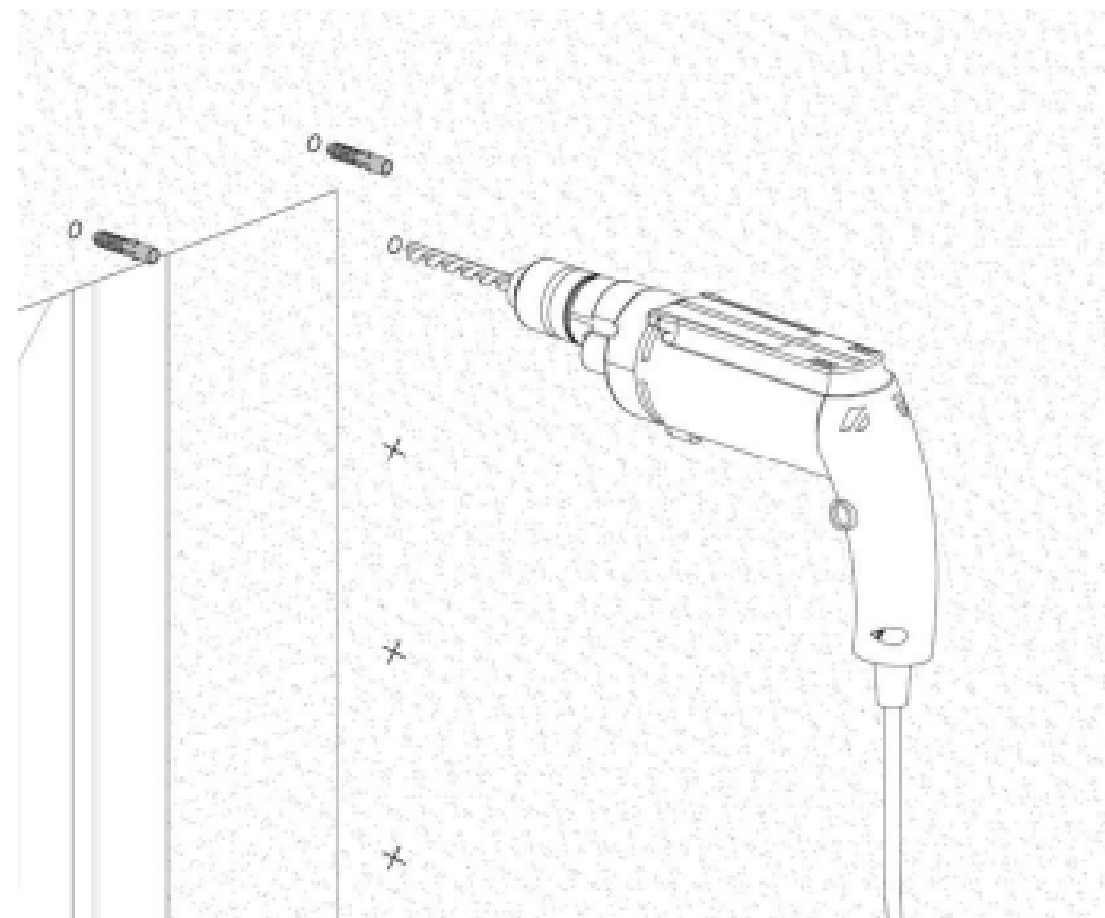
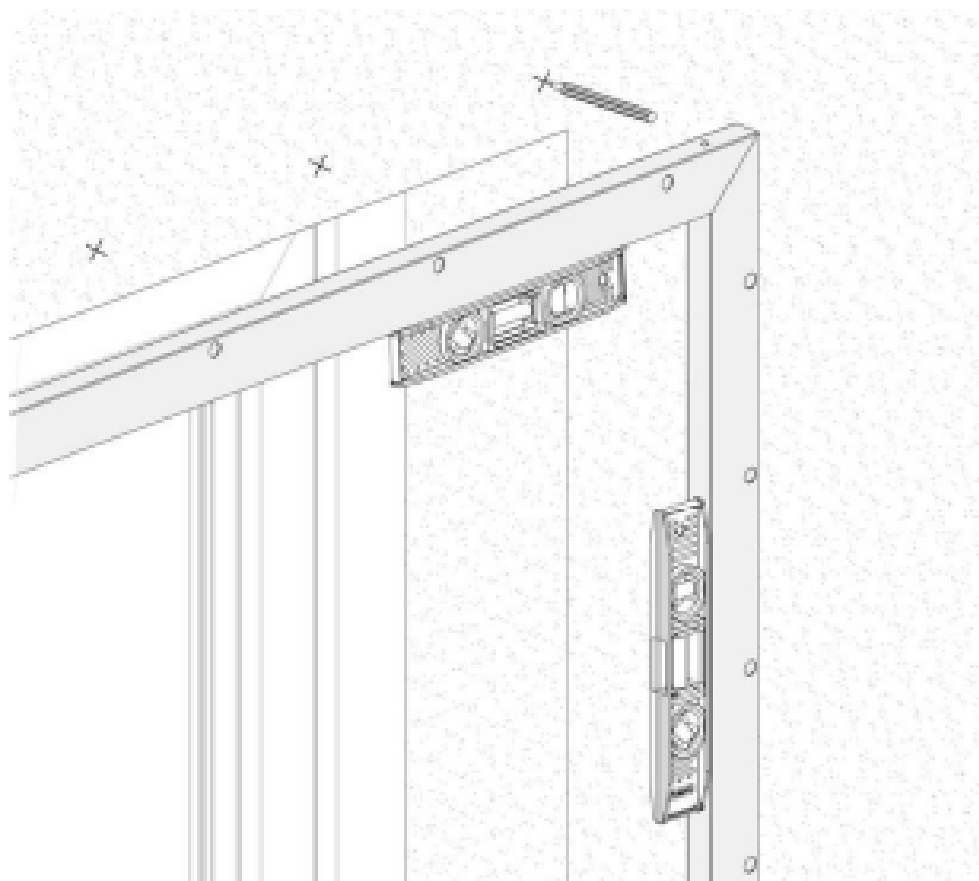
Step I

Turn the frame and angle brackets with an allen wrench, then insert the small plugs to mask the holes.



Step II

Mark the mounting location with the horizontal and vertical. Drill holes and use surface-specific mounting bolts (anchors). Then screw on the frame and insert the plugs.

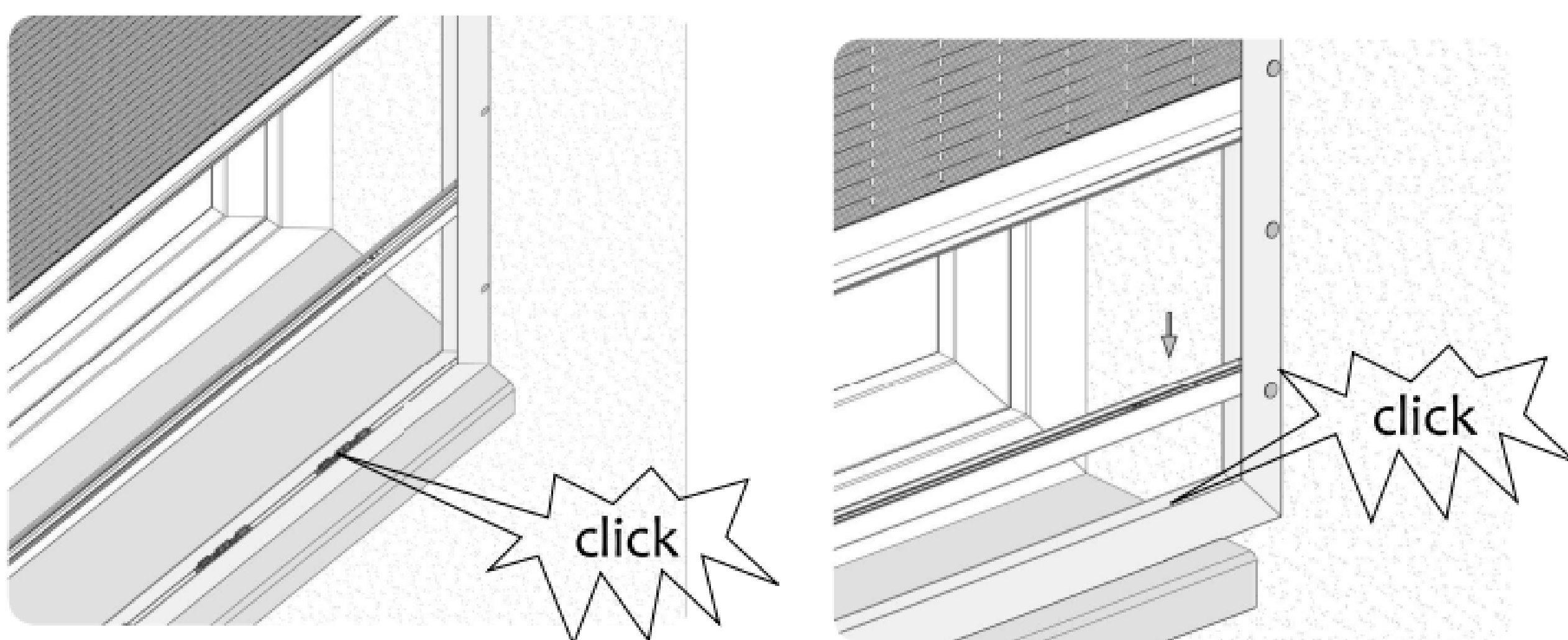
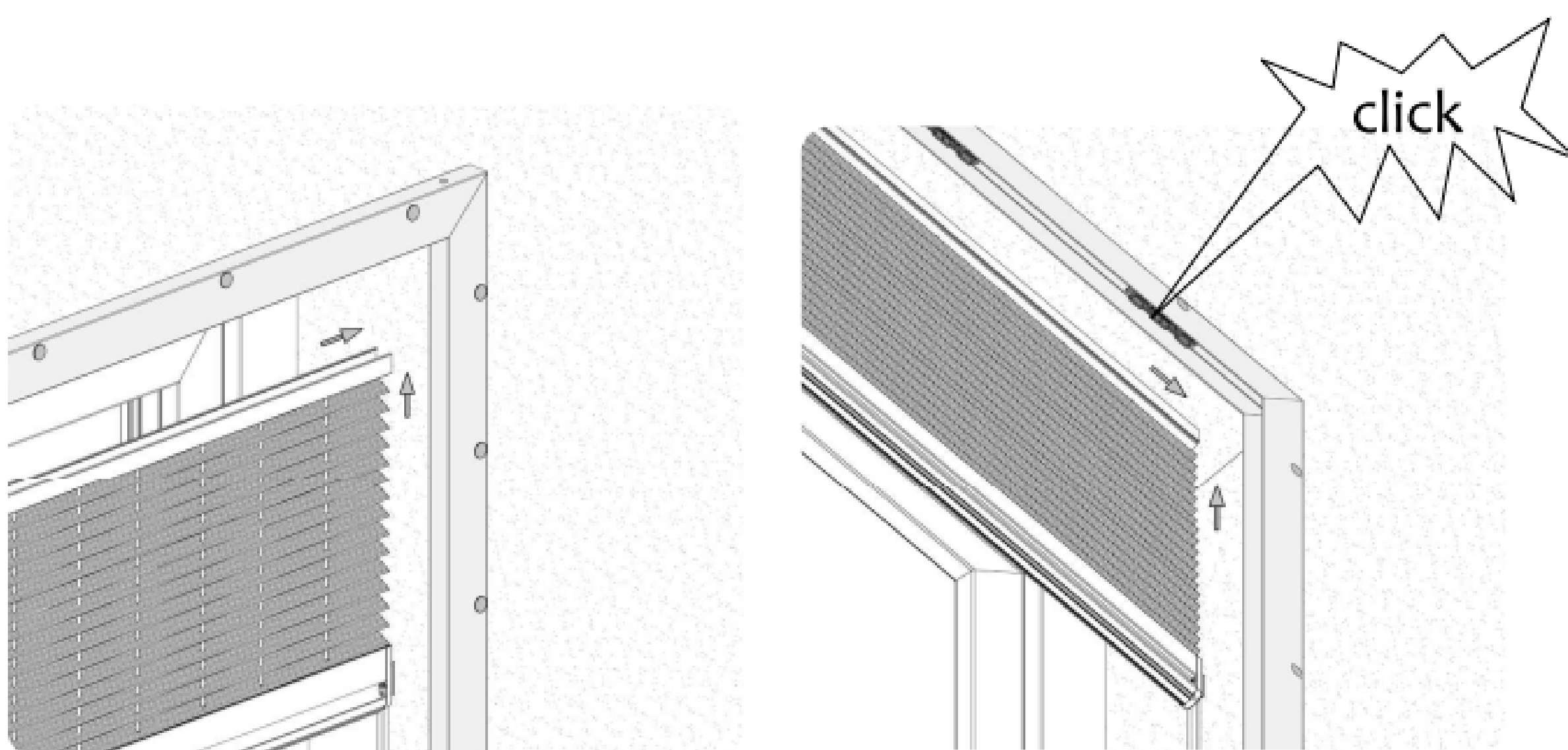


Step III

Unpack the net pack carefully and prepare for installation in the frame. It is important that the twines are not twisted.

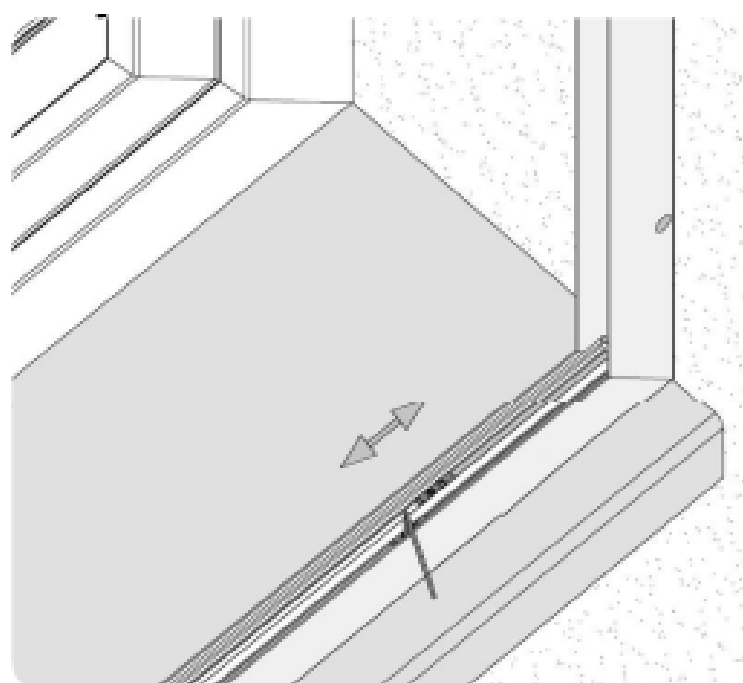
First, slide the package into the side frame on the left and right, then click into the upper frame, and into the black latches inside the frame.

Then click the bottom profile into the black latches inside the frame.



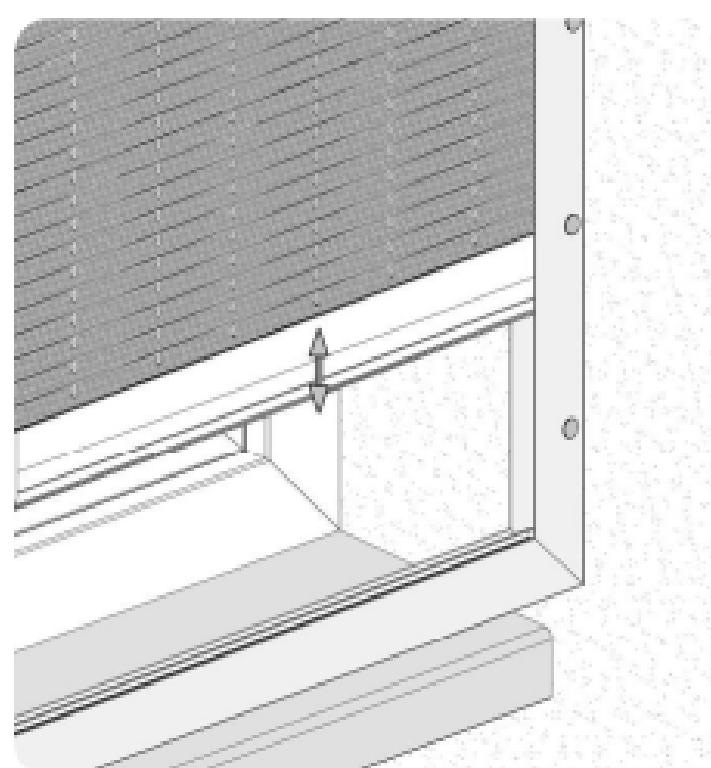
Step IV

Your mosquito net is set by the manufacturer to the dimension you ordered. If you want to increase the tension on the twines or loosen the twines, you can do so by moving the tension blocks. Note! Too much tension on the twines can cause damage to the mosquito.



Step V

Check that the mosquito net works correctly by opening and closing several times.



Step VI

The final step is to click on the magnetic tape mask profile.

