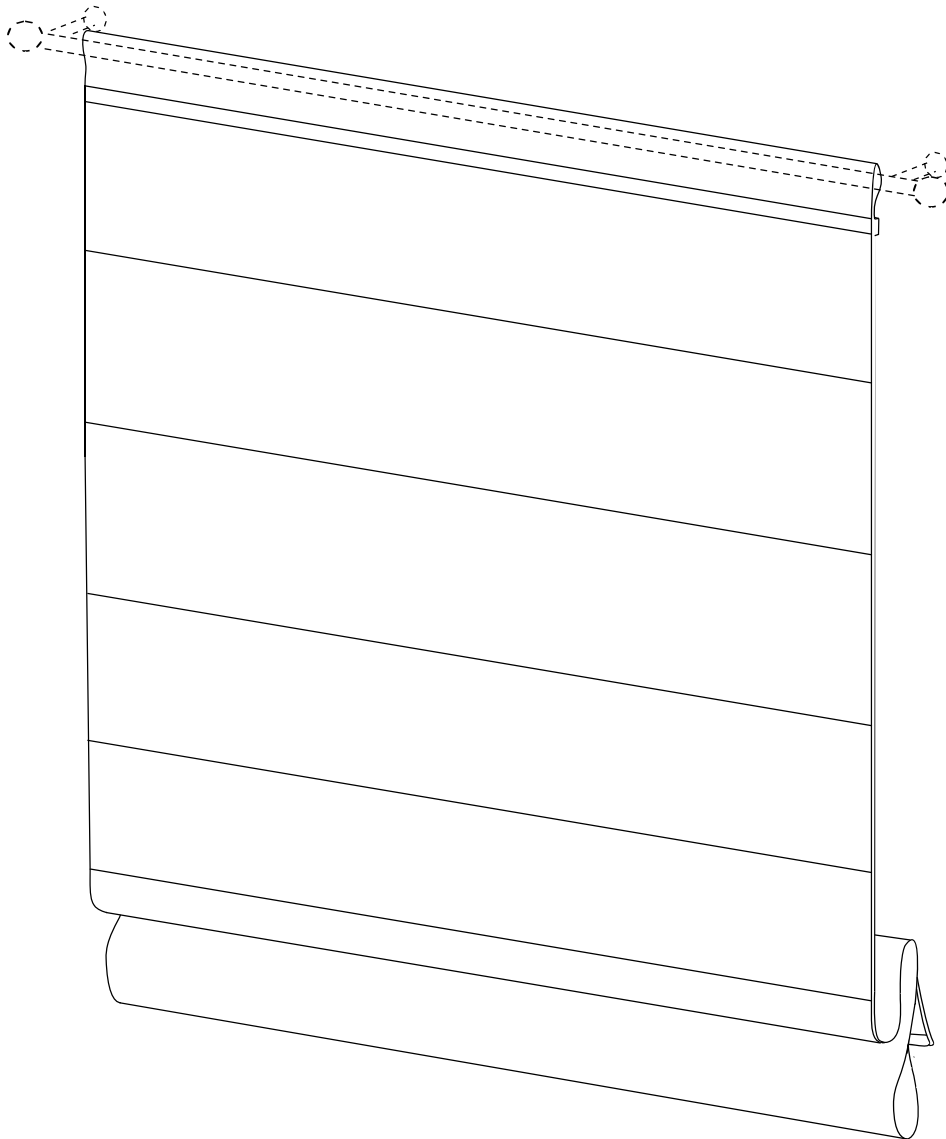
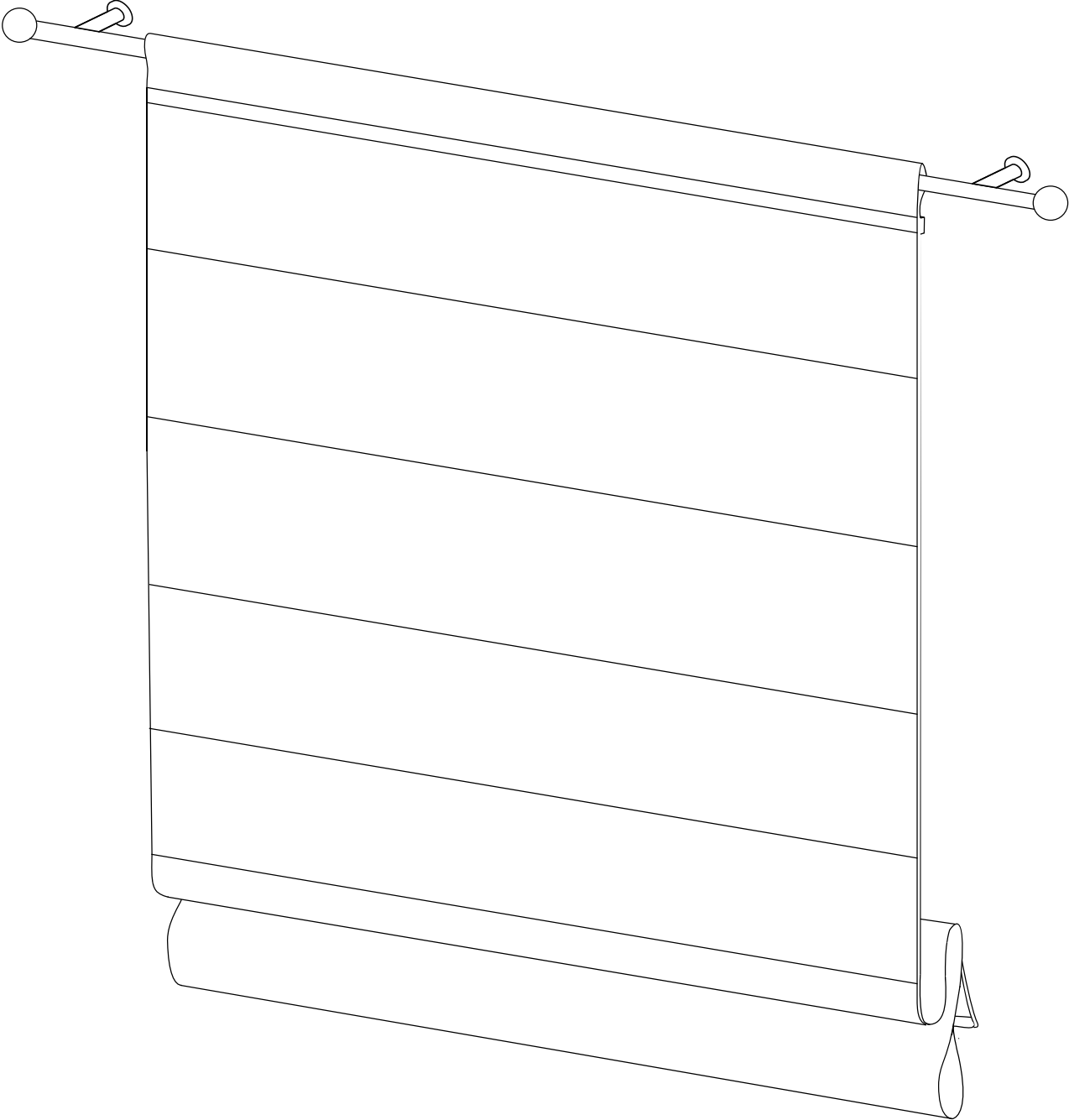


Installation instruction for Roman Blinds installed on customer's curtain rod



Slide the blind onto your curtain rod.



Mount the string anchor close to the blind. Raising and lowering the blind is done using the string. The blind stops after tying the string into "8" on anchor.

