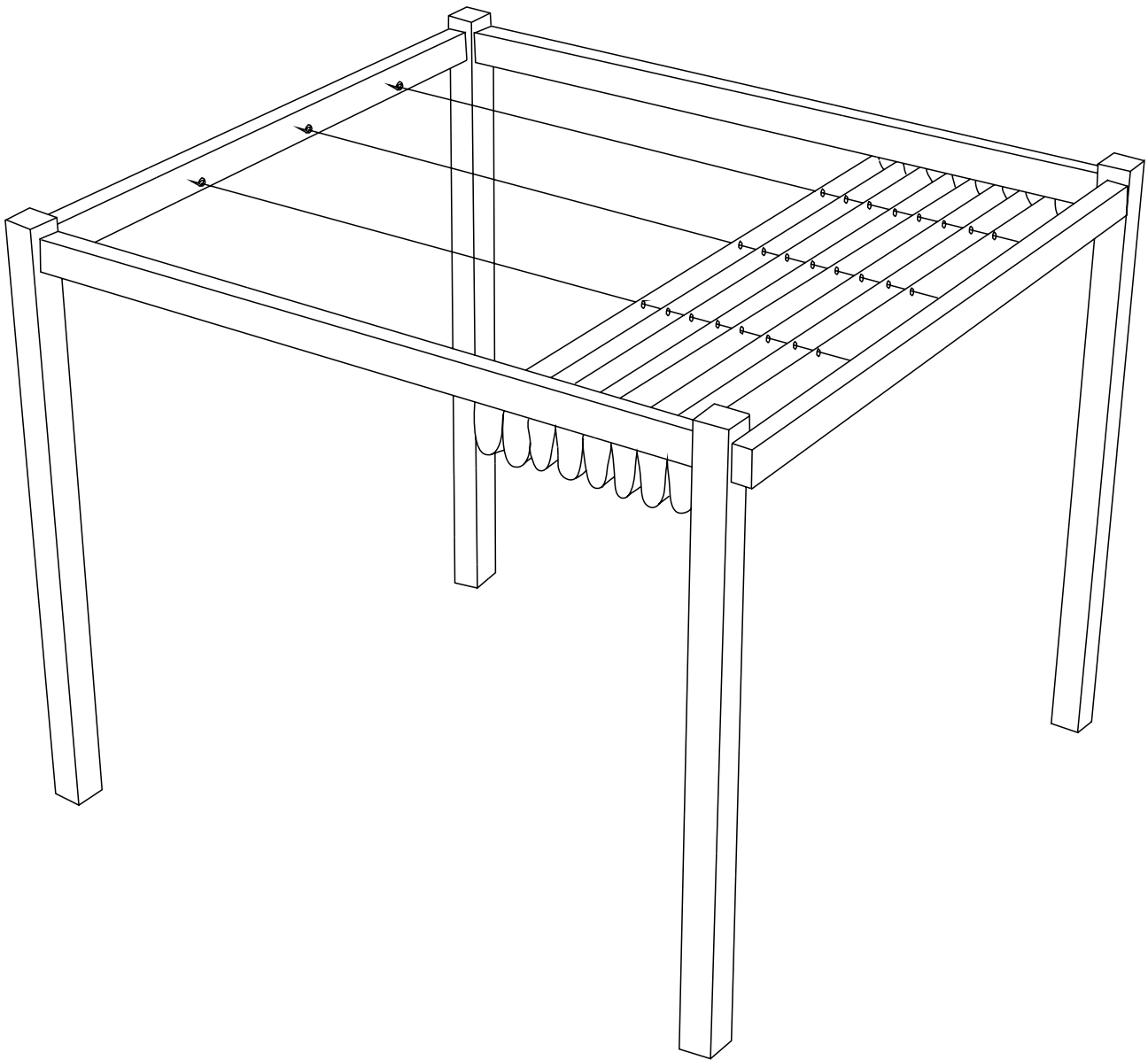


Assembly instruction for Roman terrace blind



The following mounting components are included with the terrace roman blind. Depending on the width of the roman blind, the number of components varies. The instructions show a kit with 4 cords. The assembly package can contain from 2 to 6 cords and the quantities of the other components will be adjusted to the number of cords.

The package of elements is prepared for installation in wood, if the installation is to be to another substrate then the appropriate mounting dowels must be used.

hook



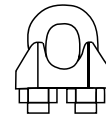
8 x

cord clamp



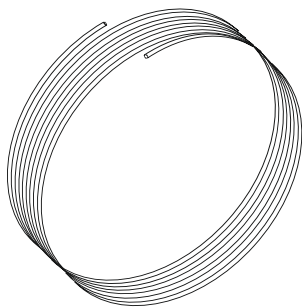
4 x

adjustable cord clamp



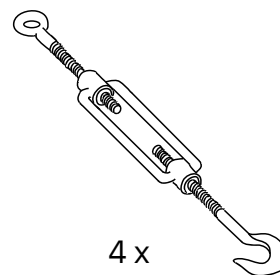
4 x

coated steel cords



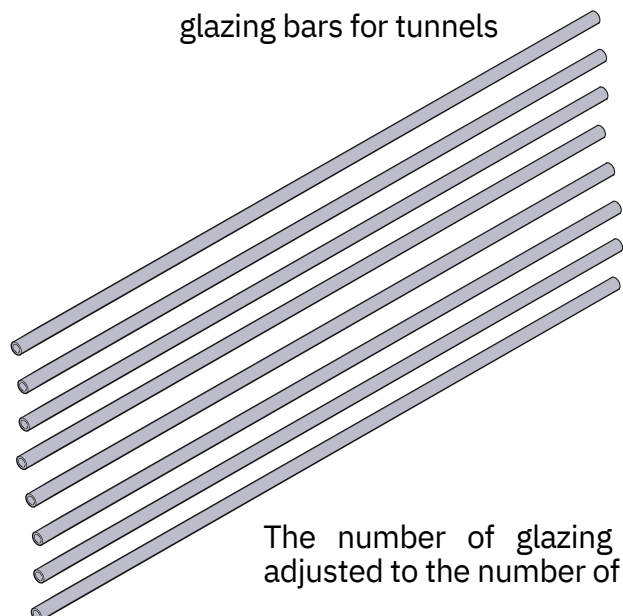
4 x

turnbuckle



4 x

glazing bars for tunnels

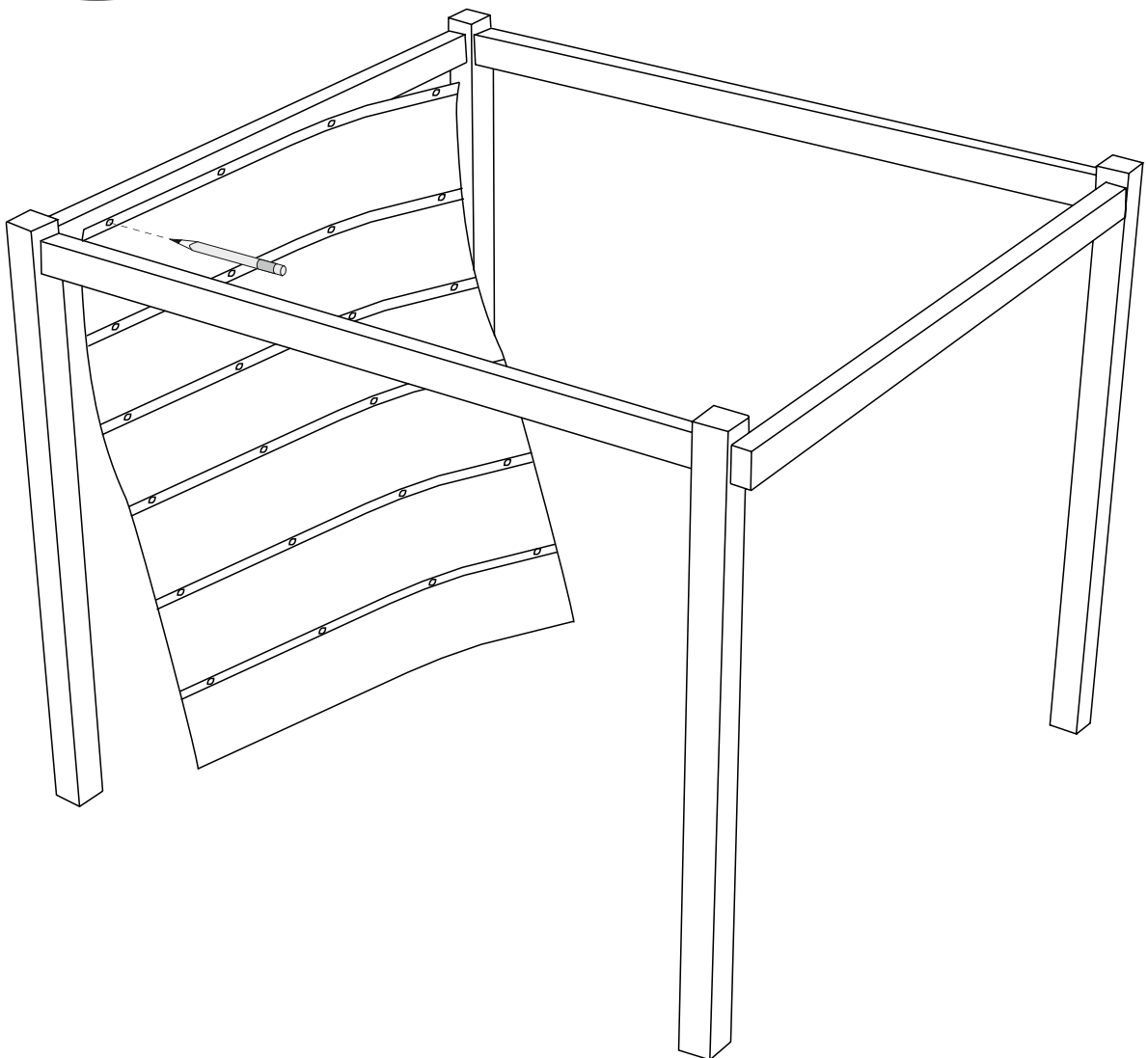
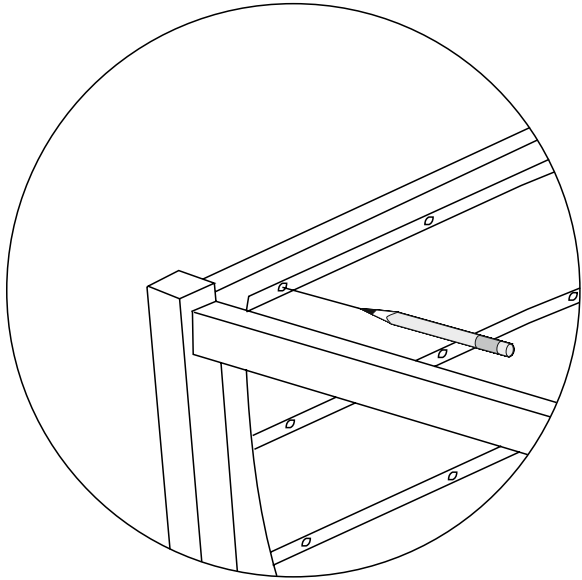


The number of glazing bars is adjusted to the number of tunnels

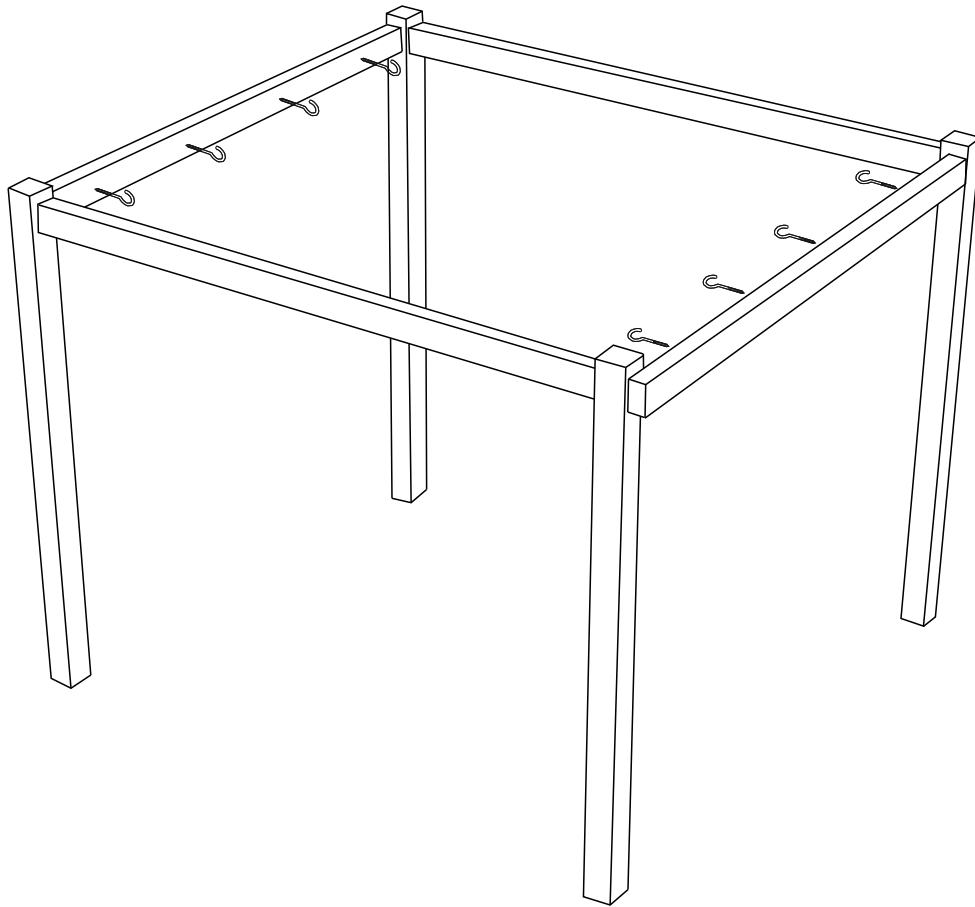
Step I.

Using a pencil, mark places on the pergola, where the cords will be installed. By applying the roman blind fabric as shown, you will easily mark the locations of the hooks.

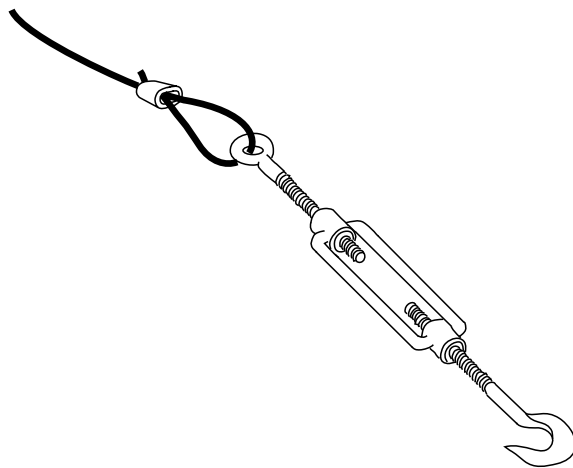
Il. 1



Step II.
Screw the hooks. Il. 2



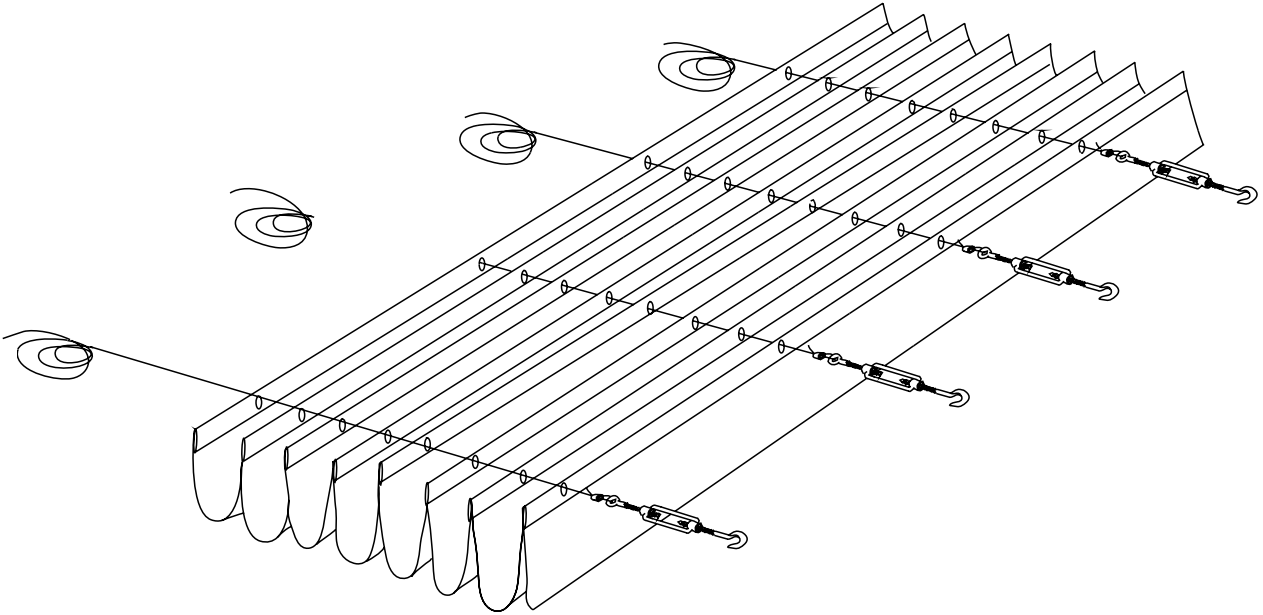
Step III.
Put the end of the cord through the turnbuckle, as shown on the picture, then tighten the cords with the pliers.
Il. 3



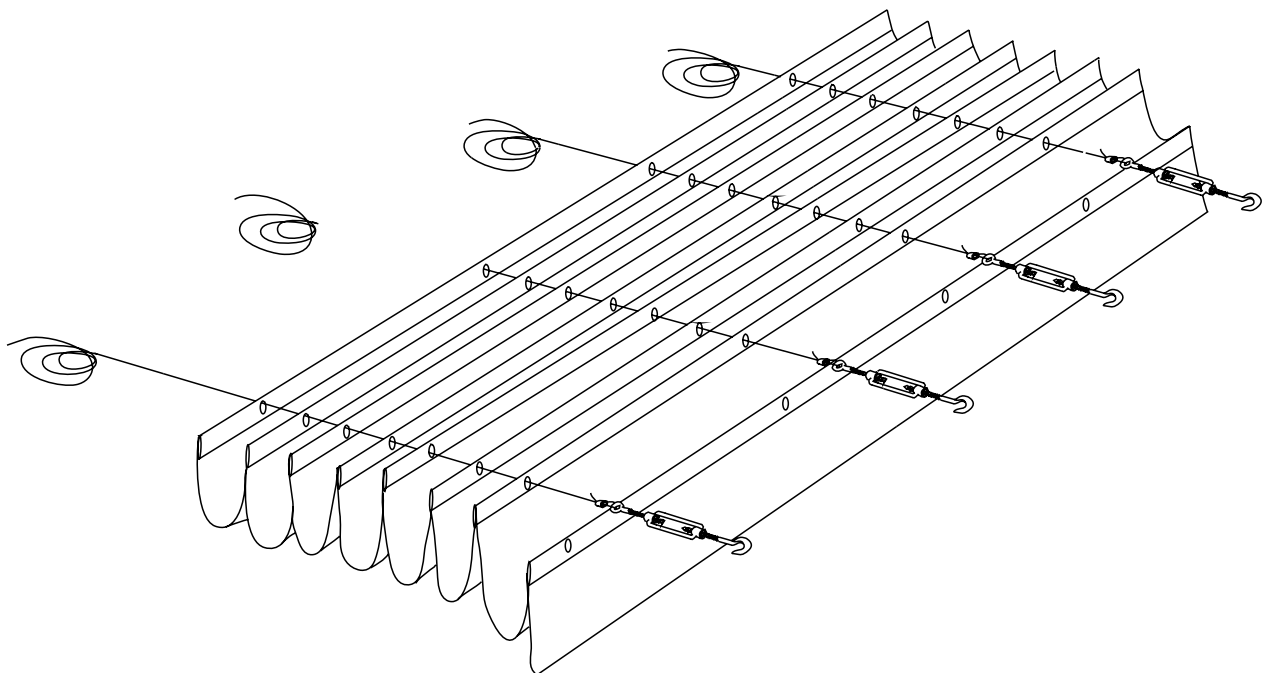
Step IV.

Turn to the last page of the instructions for step VII where the option of fastening the eyelets directly to the hooks is shown. This is an option and at this point you must decide whether you will thread the lines through all the meshes. If you want to choose this option, drop the first row of meshes and start threading through from the second row.

Rearrange the cords according to your preferences.

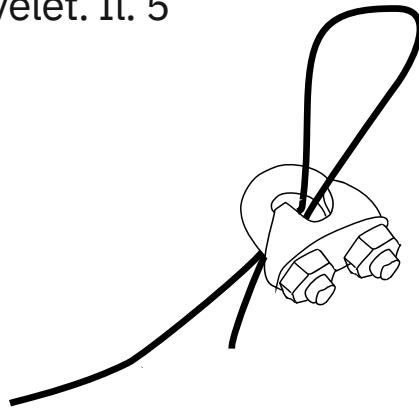


The illustration below shows how to rearrange the cords by omitting the first row of eyelets.



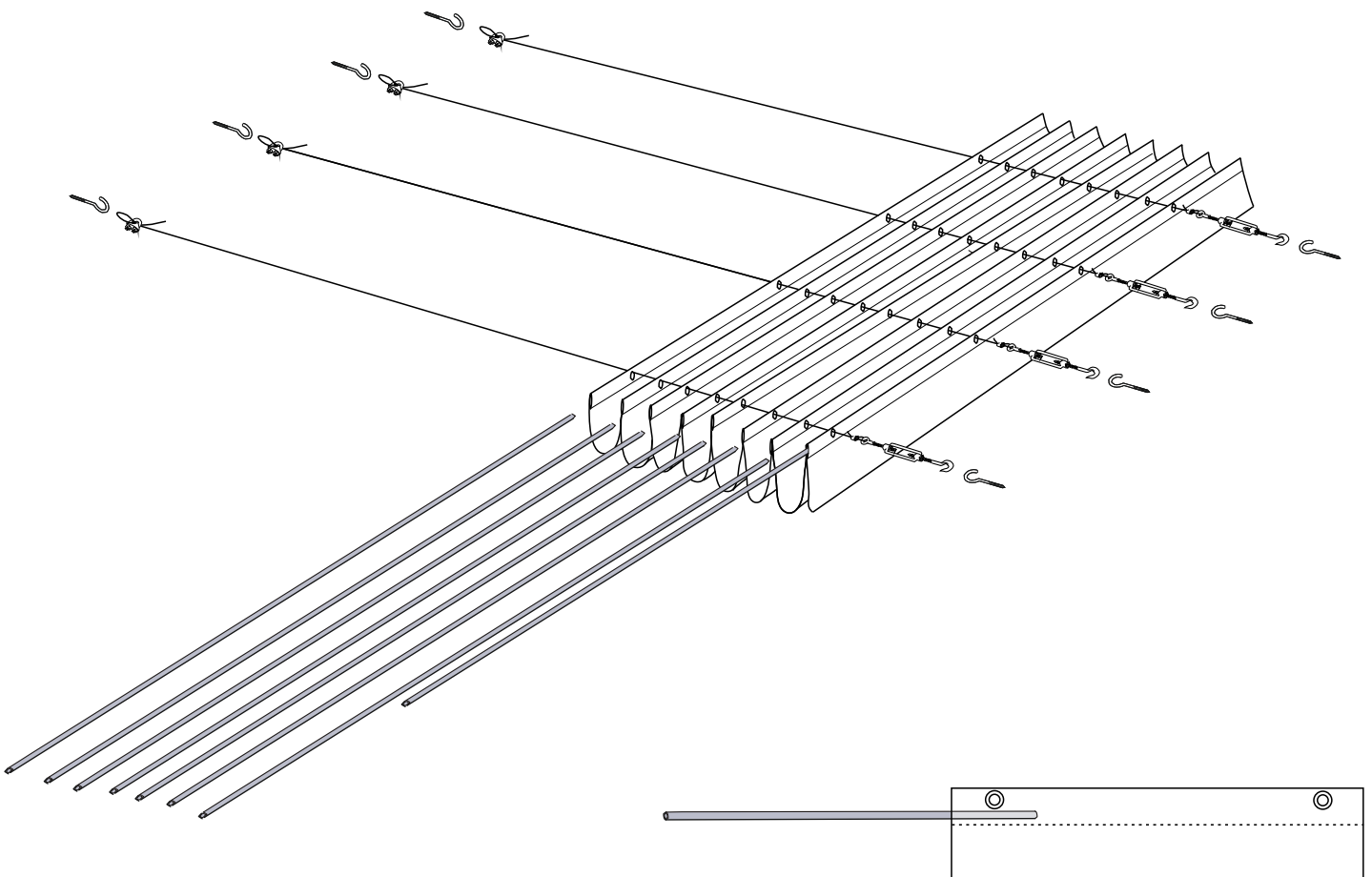
Step V.

Thread the other end of the cables through the adjustable cable clamp so that an eyelet is formed. The illustration below shows a properly made eyelet. Il. 5



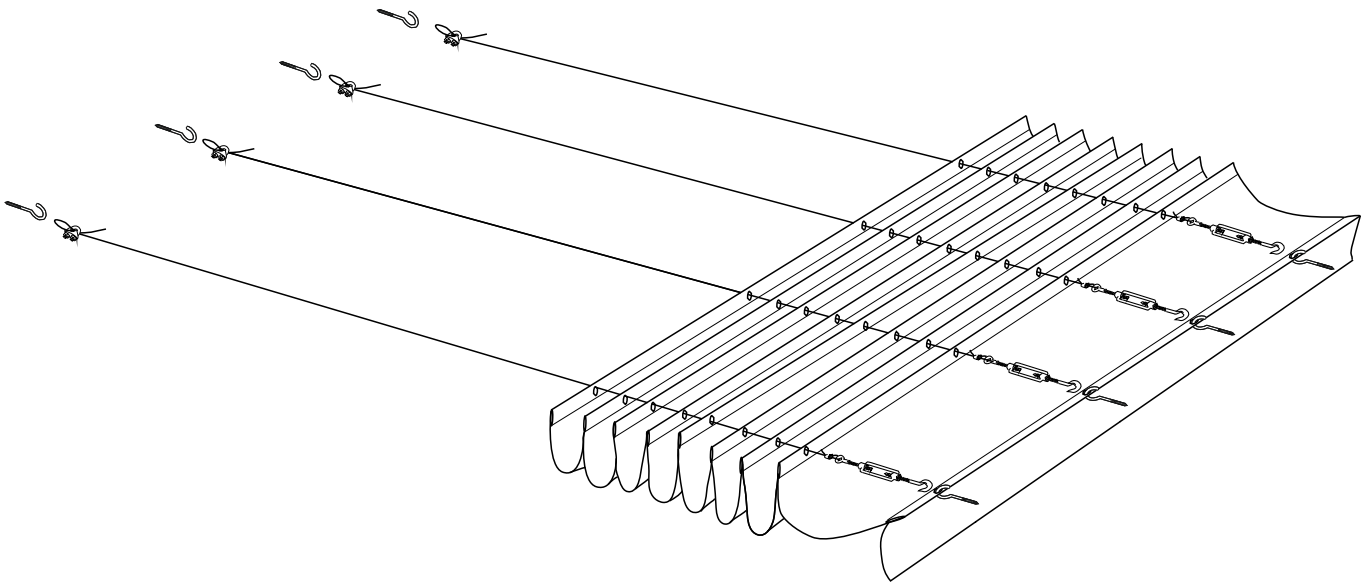
Step VI.

Check the lengths of the cords. Remember that they must be tight. You can adjust the tension of the cables with the turnbuckle. Insert the glazing bars into the tunnels. An installation diagram is shown below. Il. 6



Step VII (option).

Optionally, hook eyes can be attached. With this solution, the blind will be permanently hooked on one side and the turnbuckle will not be visible. The disadvantage of this solution is the difficult access to the turnbuckle. Il. 7



Important information.

The roman blind serves as protection from the sun's rays and from gentle rain. High-quality materials and components are used in the production of the blind, including meshes made of stainless steel.

During strong winds, the blind should be folded and secured, e.g. by wrapping the cord. The manufacturer cannot be held responsible for any defects caused by use of the blind on windy days.