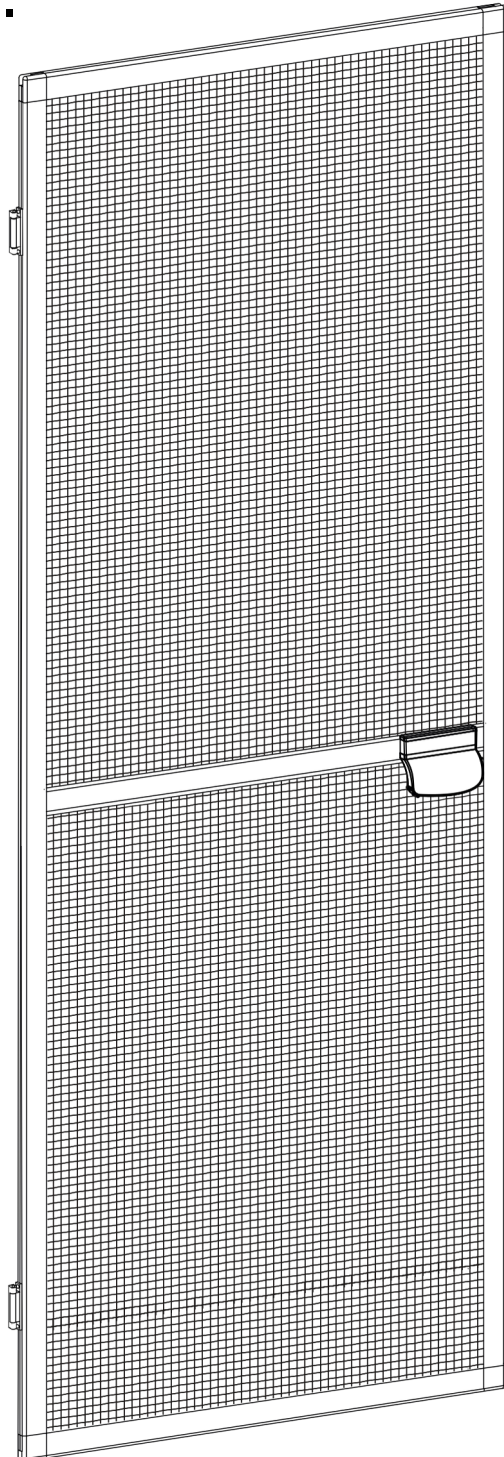
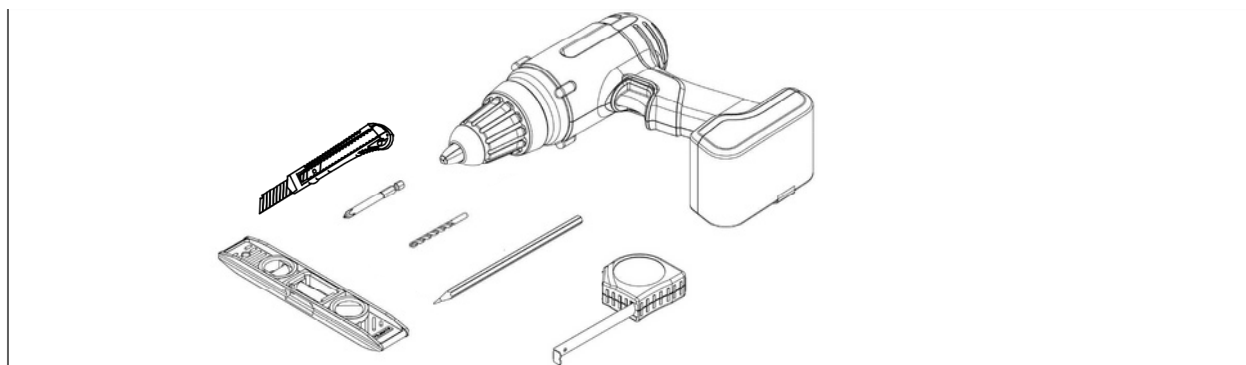




Installation instruction for door mosquito net. Installed on the window frame, screw-on ver.

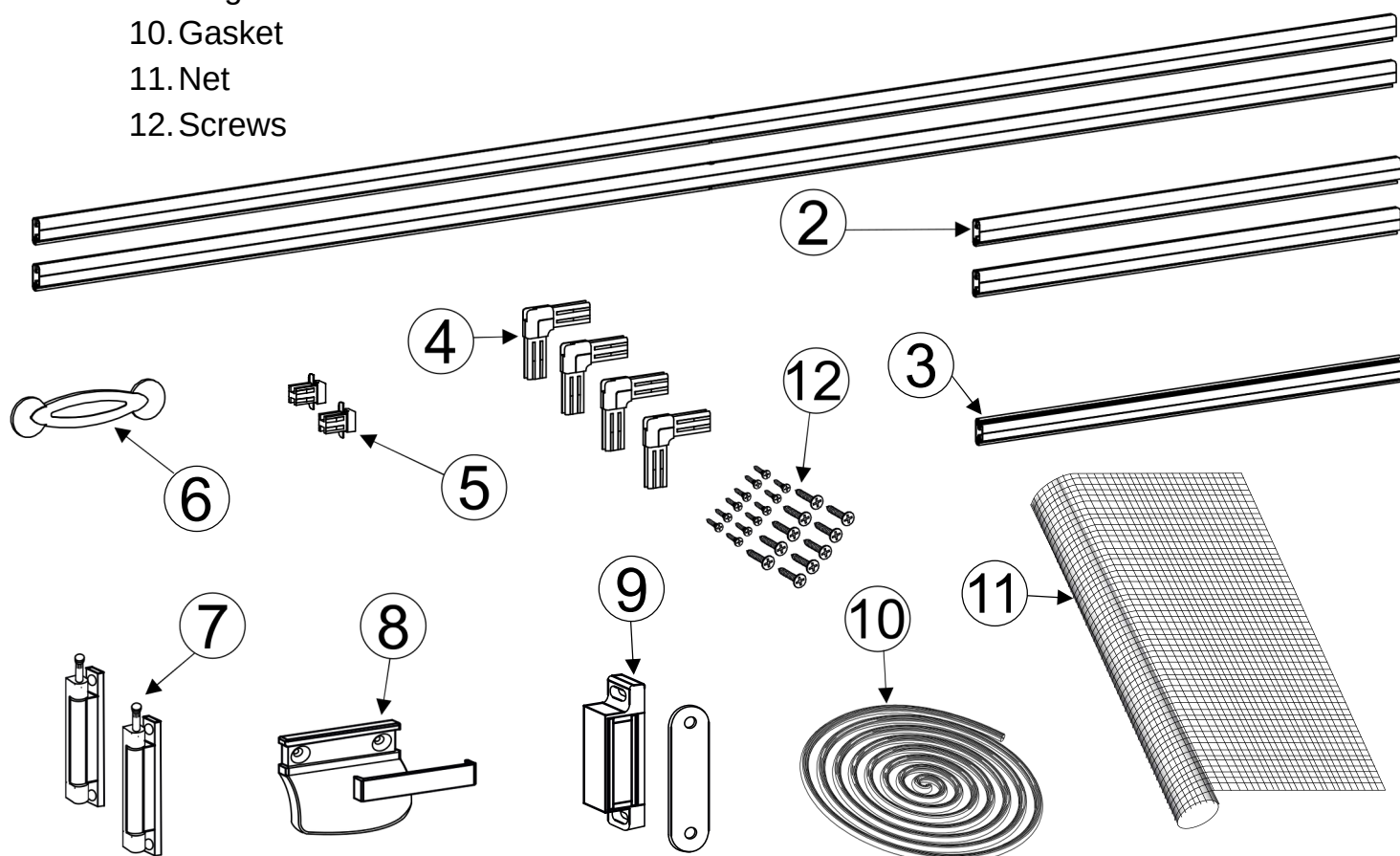


For installation you will need the tools shown below and screws suitable for the window frame. The kit doesn't include any screws, as their choice is up to the customer and depends on the material from which the window joinery is made.



The package includes:

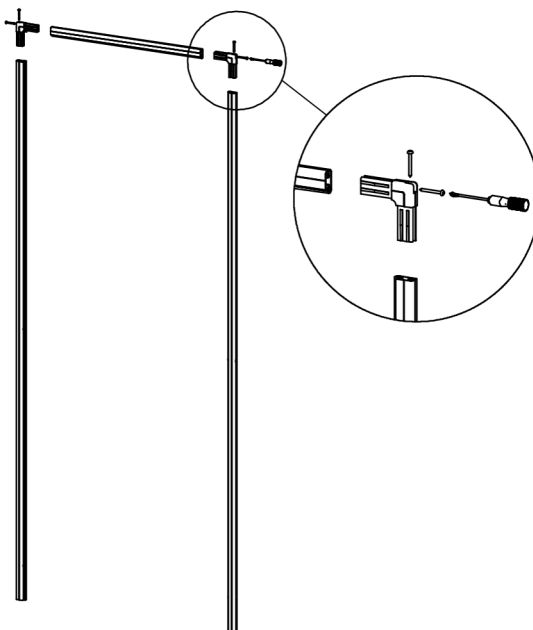
1. Mosquito net frame - vertical profiles
2. Mosquito net frame - horizontal profiles
3. Crossbar
4. Corners
5. Crossbar connectors
6. Gasket installation tool
7. Hinges
8. Handle
9. Magnet
10. Gasket
11. Net
12. Screws



## Step I

Screw the frame to the corners using long screws.

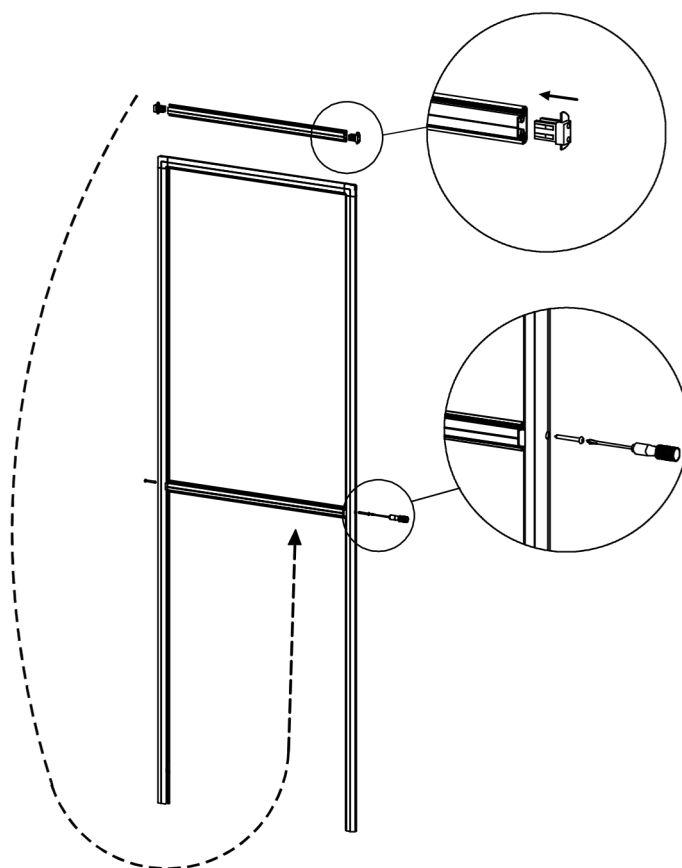
For the time being, screw only 3 profiles together as show below.



## Step II

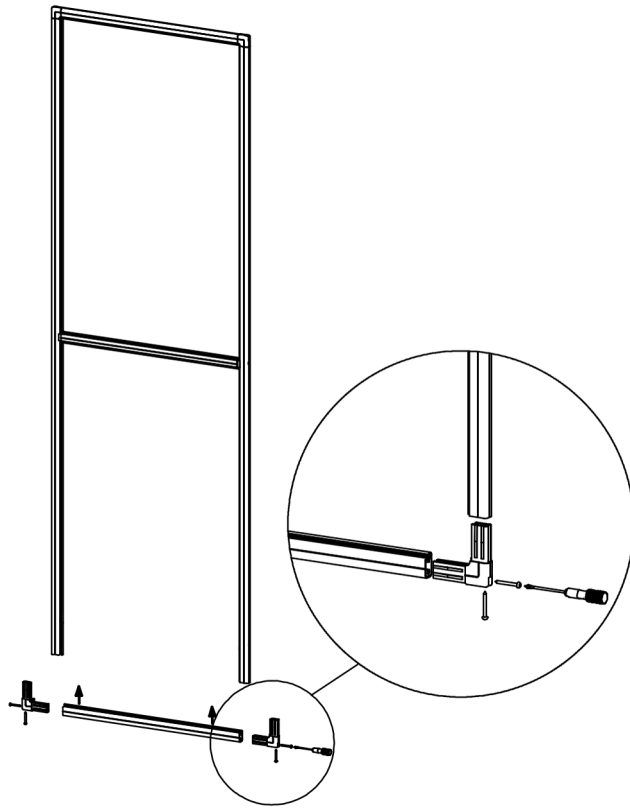
Insert the crossbar with the connectors in place.

Tighten with long screws.



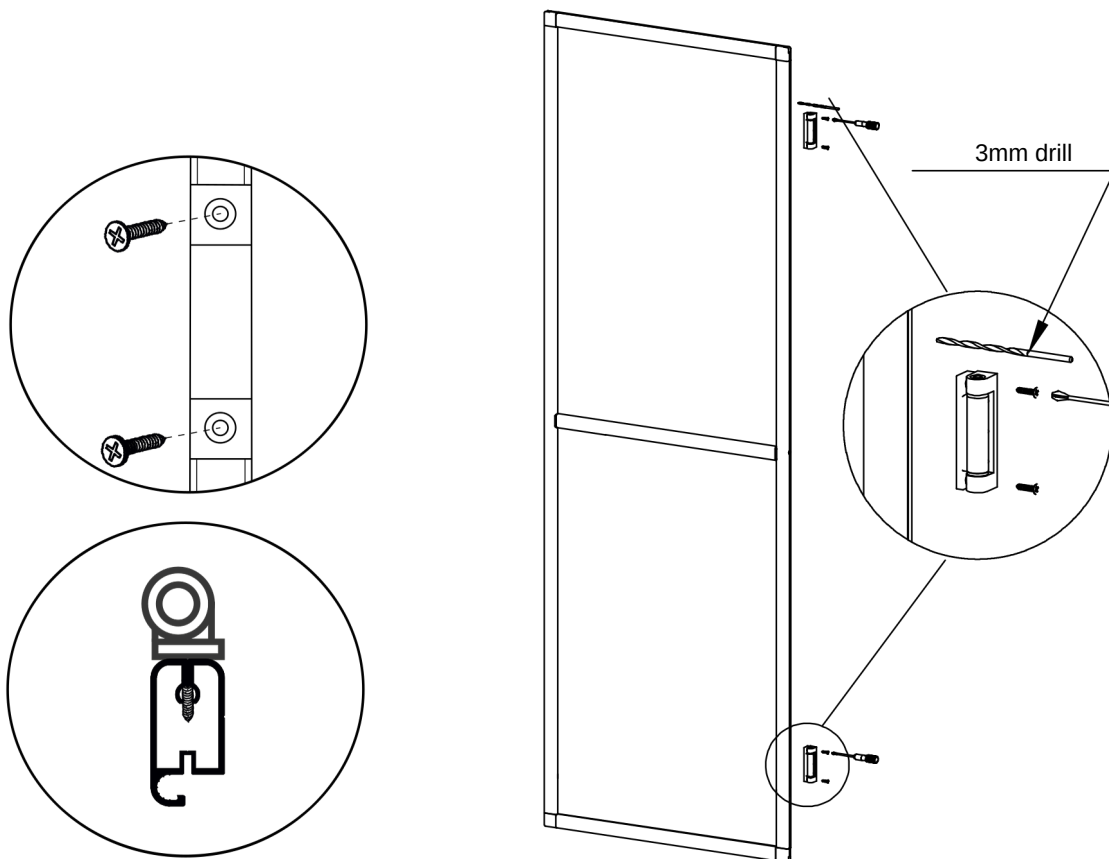
### Step III

Assemble the rest of the frame as shown below.



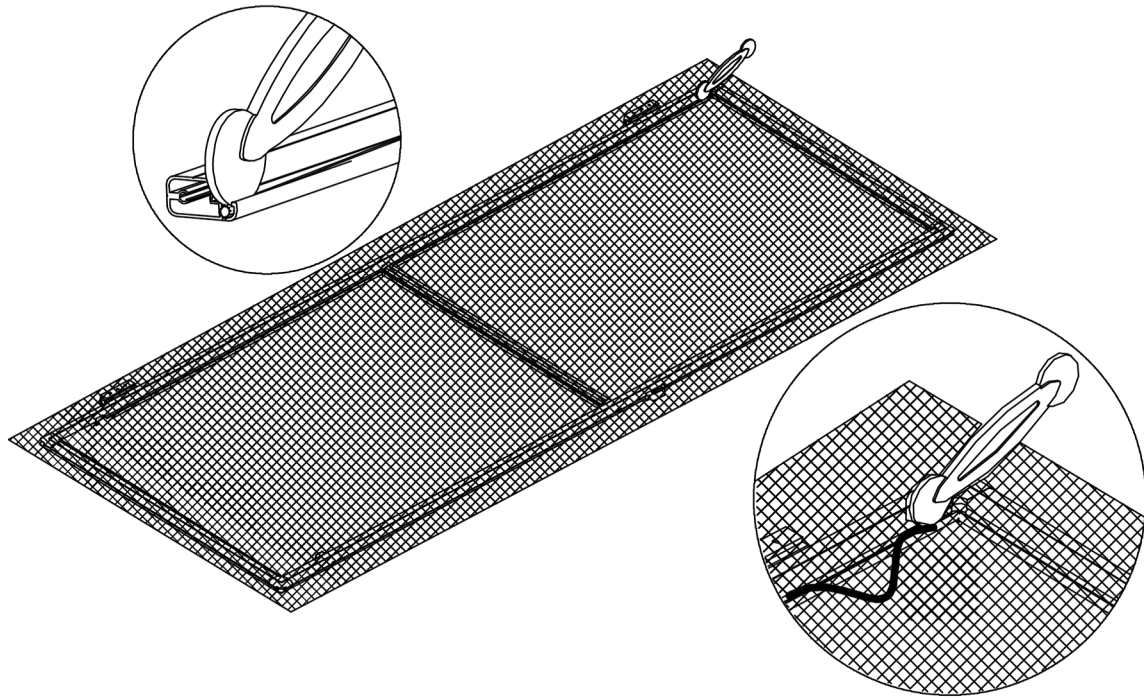
### Step IV

Install the hinges.



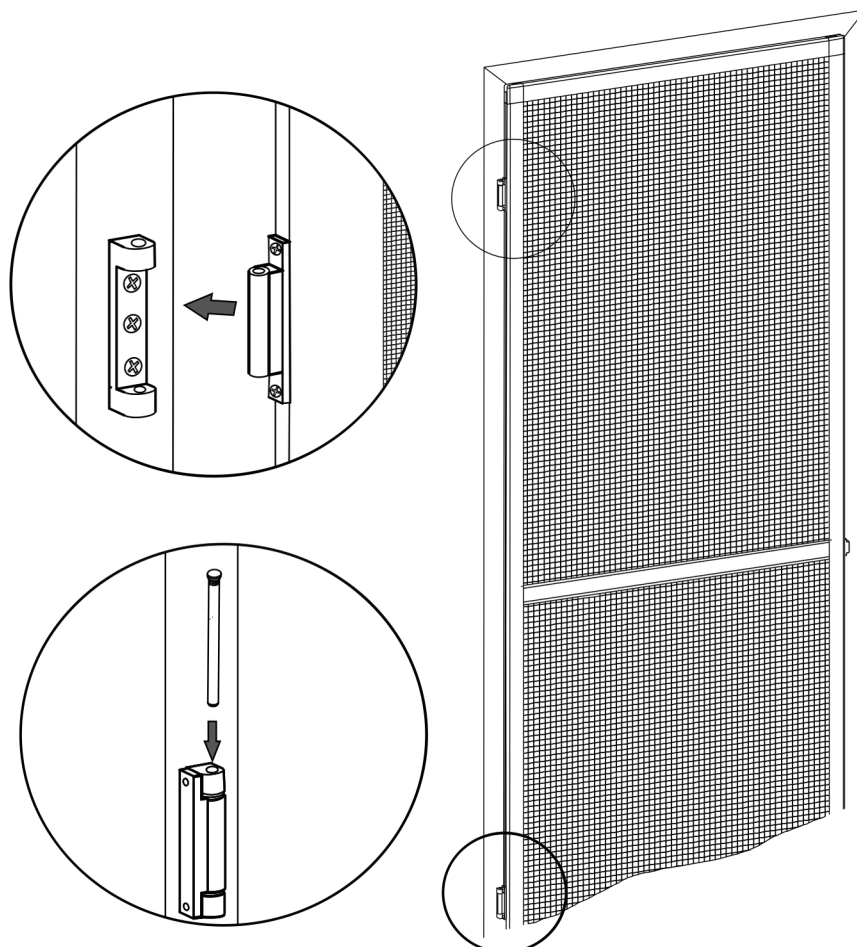
### Step V

Using the gasket installation tool provided, attach the mesh and gasket. Cut off the excess with a knife.



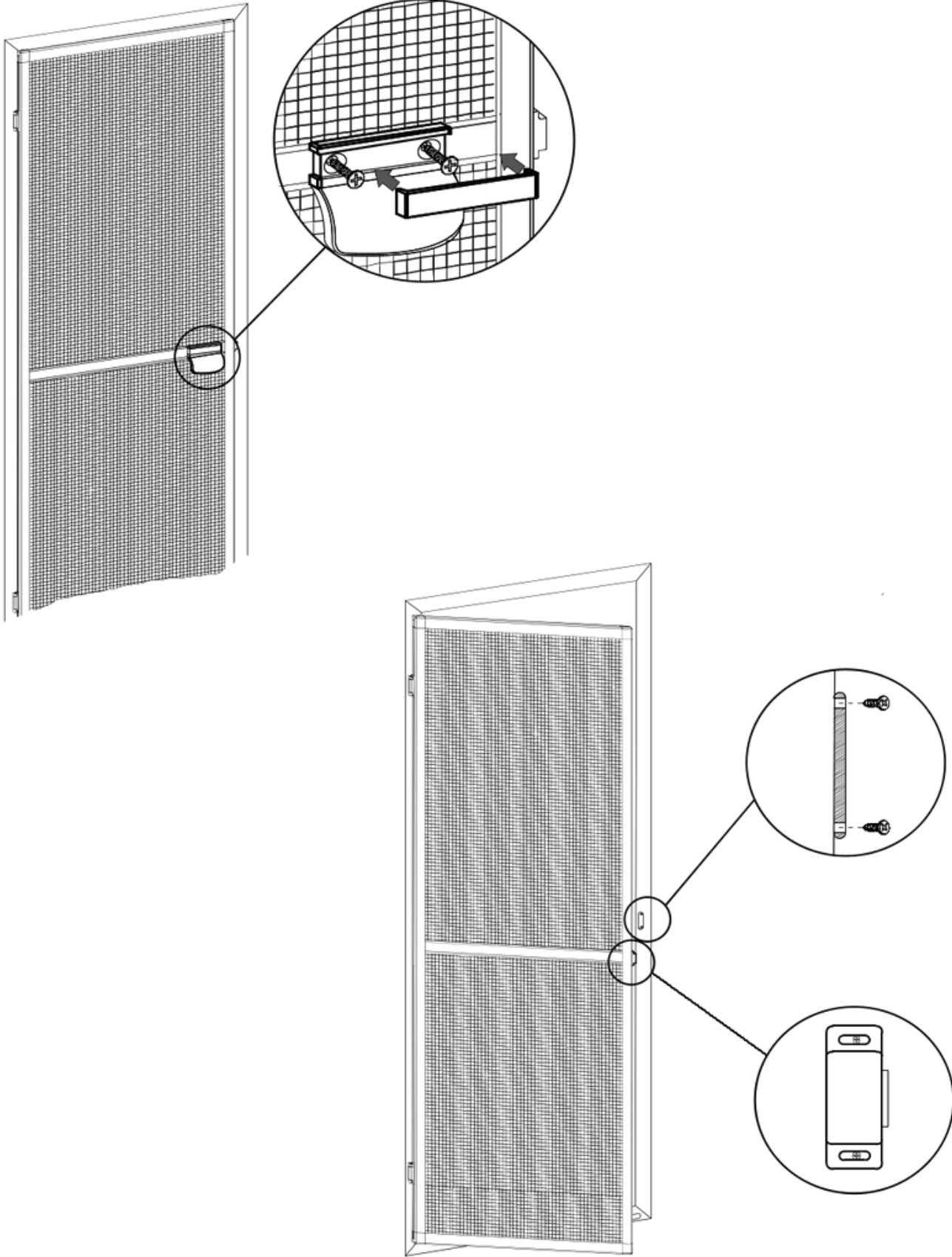
### Step VI

Fit the hinges to the window frame and hang the door.



Step VII

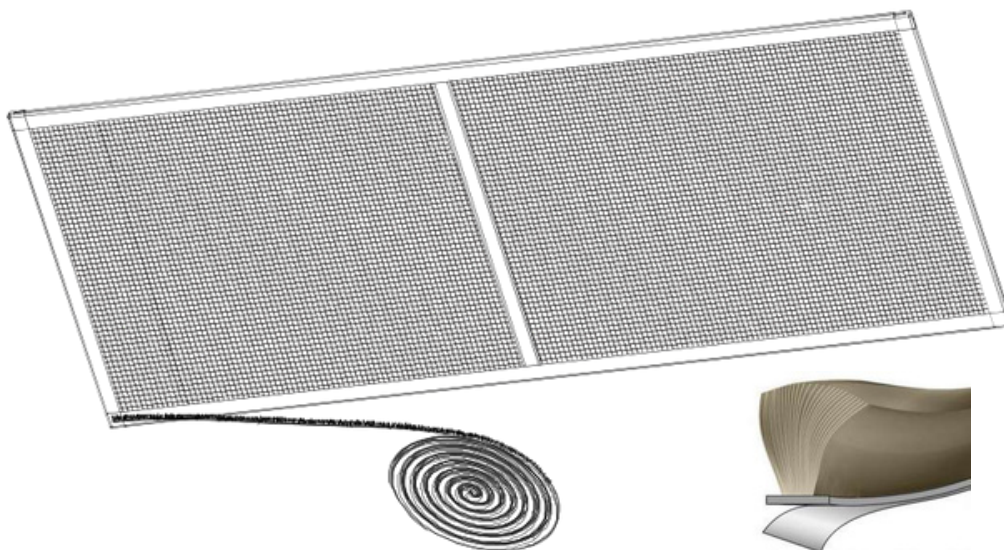
Mount the handle and magnet.



**ADDITIONAL OPTIONS IF ORDERED:**

**1. Self-adhesive brush seal.**

Degrease the assembled mosquito net frame, remove the foil protecting the seal glue and attach the seal all along the frame.



**2. Pet gate.**

Clip on the net, on the assembled door, the 2 parts of the pet gate. Use an utility knife to cut the net to make the gate open. There are locking bolts included in the kit to lock the gate.

