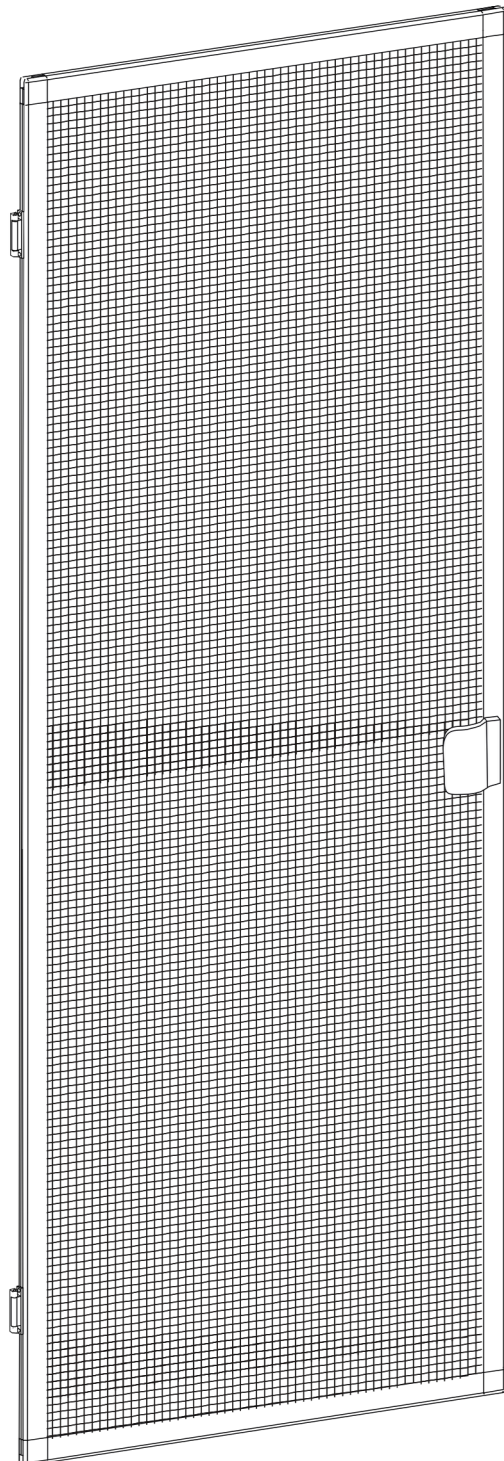


Measuring instruction for door mosquito net.
Mounting to window frame, screw-on version.



Measurements are given in millimeters (mm).



The width of the order is the width of the door, but you must take into account that on one side there will be hinges, which are 20mm in width, and on the other side there will be a magnet which is 13mm in width. Fig.2.

The order height is the height of the door.

Fig. 1

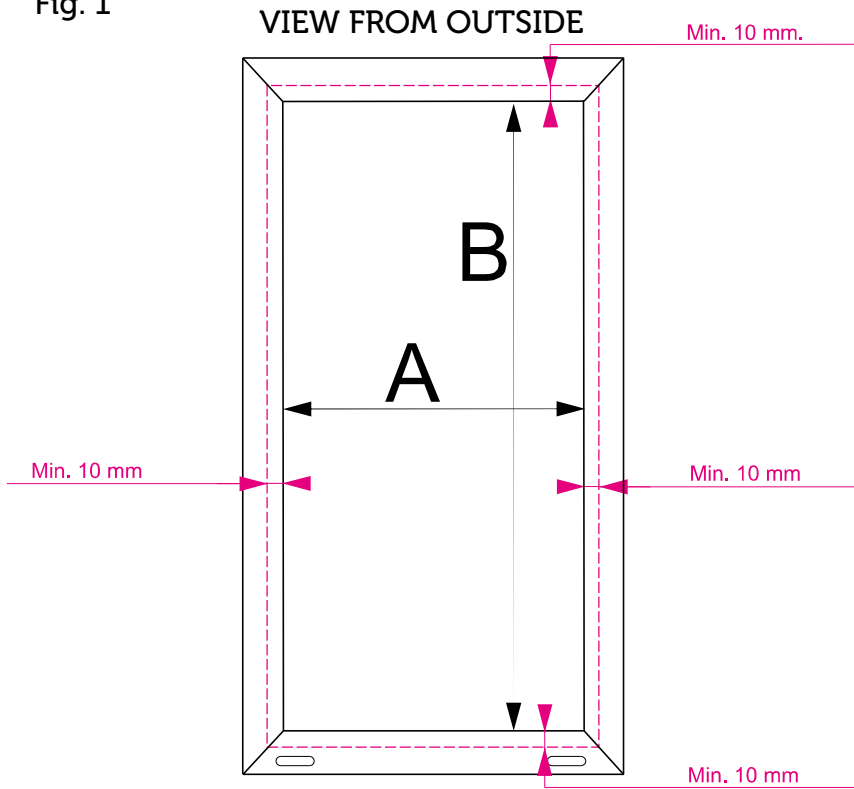
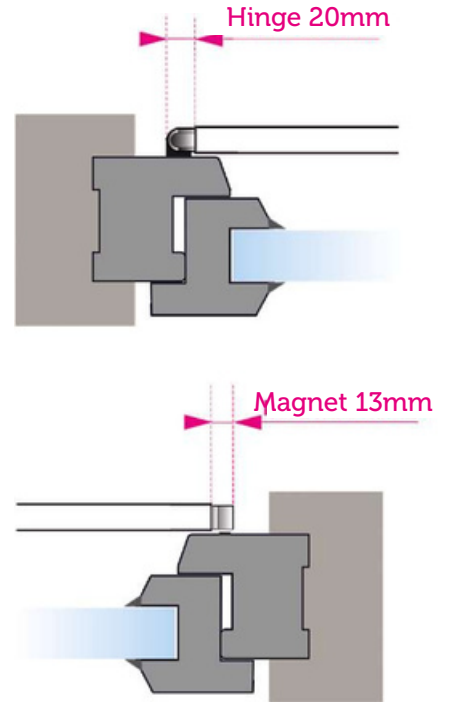


Fig. 2



Important notice!

The mosquito net should overlap the frame by at least 10mm on each side.

Check that you will have space on the left and right sides for the hinges and the magnet.

Check that no handles or window parts protrude outside the window frame.

These can make installation impossible.

Measure the width and height of the inner edges of the window frame, Fig. 1

When specifying the desired width, add min. 10mm on the left and on the right.

Total 20mm.

When specifying the desired height, add min. 10mm on top and at the bottom.

Total 20mm.

Example: A=800 mm
 $800+20 = 820\text{mm}$

Example: B=2000 mm
 $2000+20 = 2020\text{mm}$