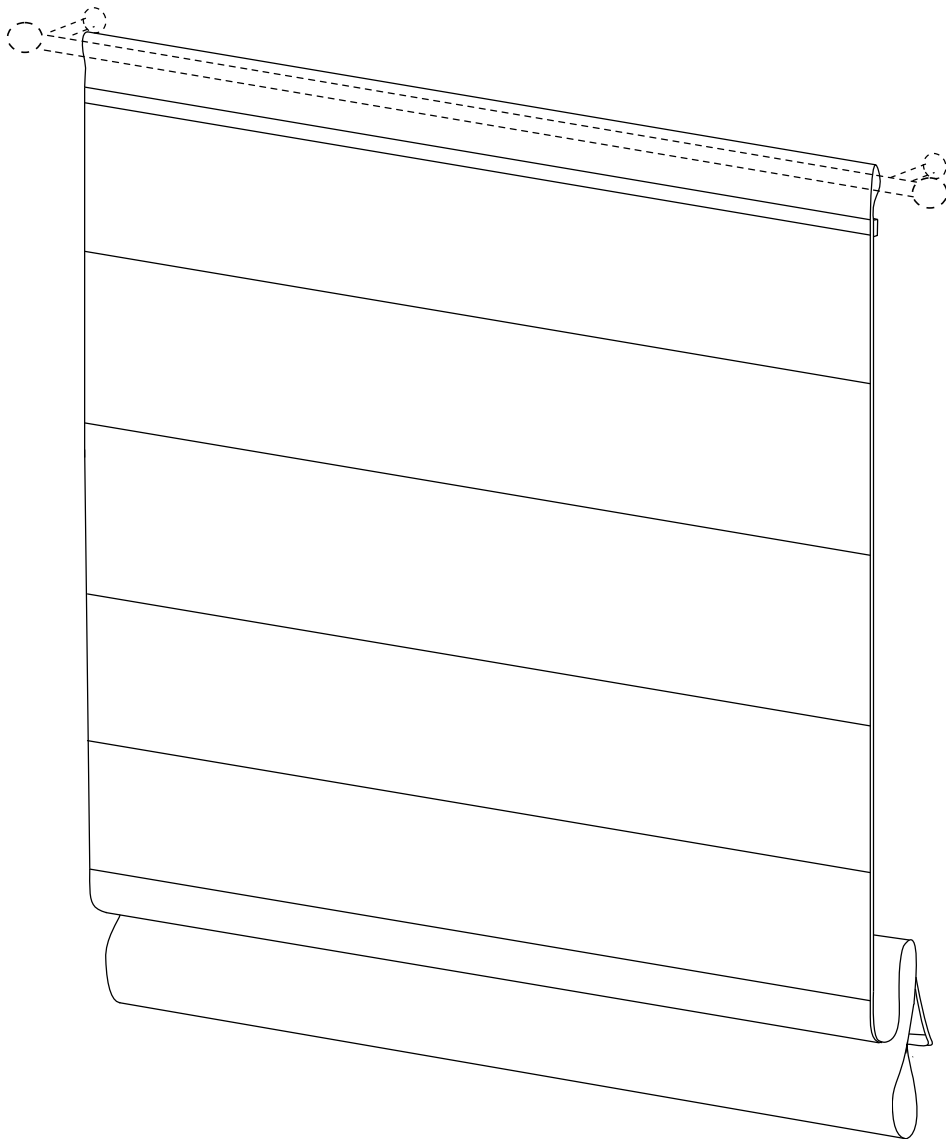
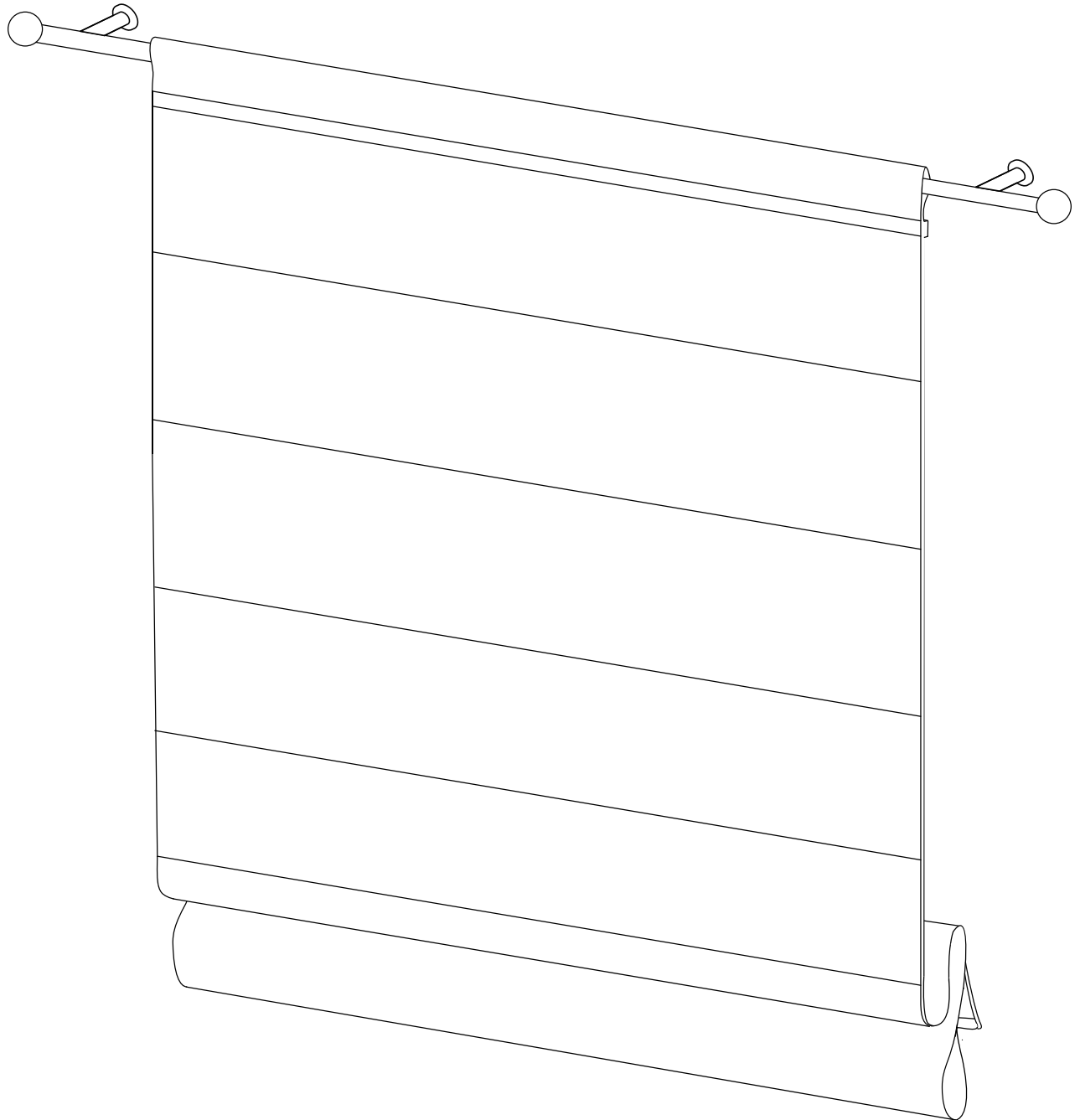


## Installation instruction for Roman blind installed on the customer's curtain rod.



Slide the blind onto your curtain rod



Fix the cord clip in close proximity to the blind.  
Raising and lowering the blind is done with the cord.  
The roman blind stops when the string is tied in a figure eight on the clip.

