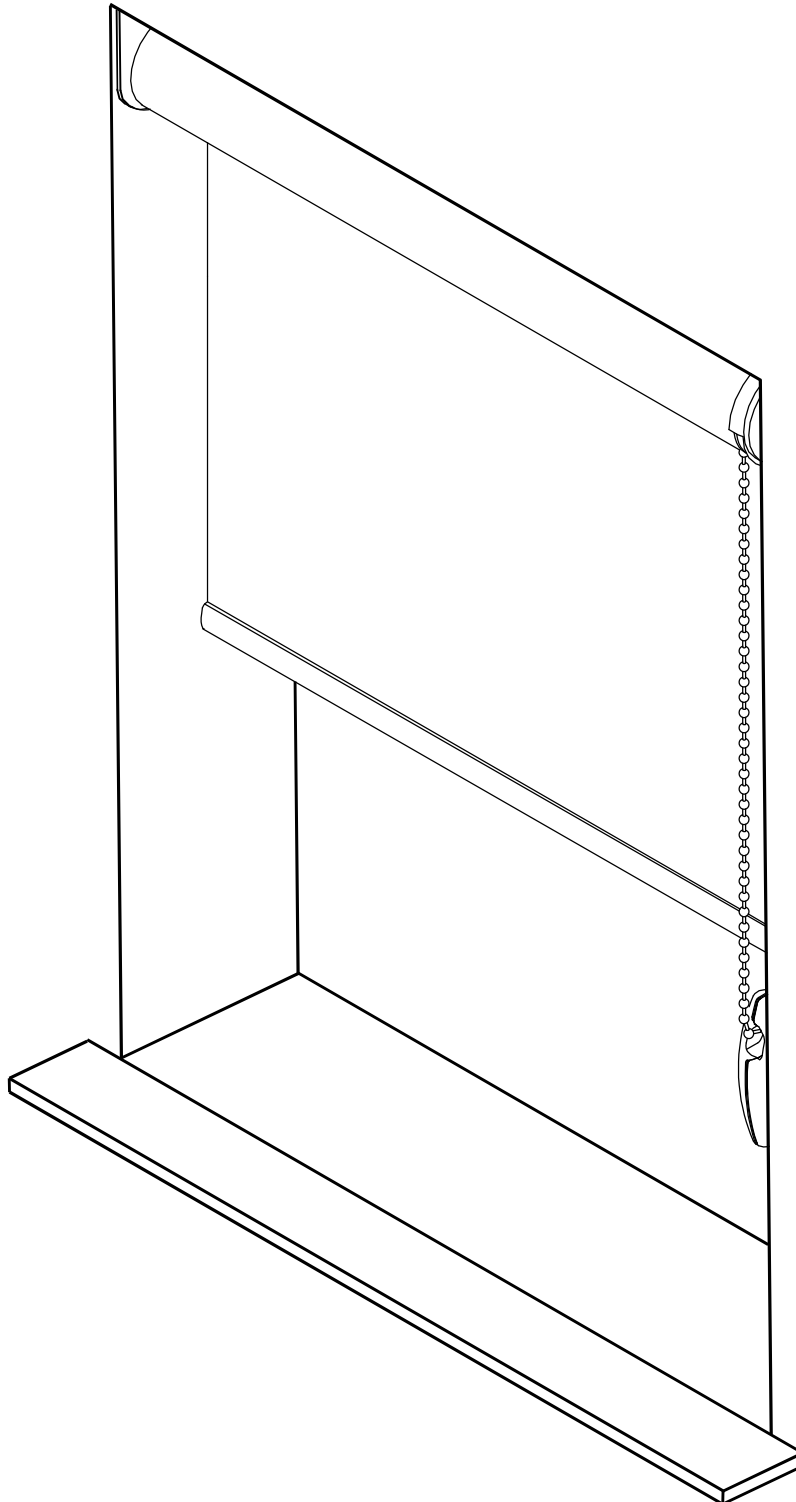


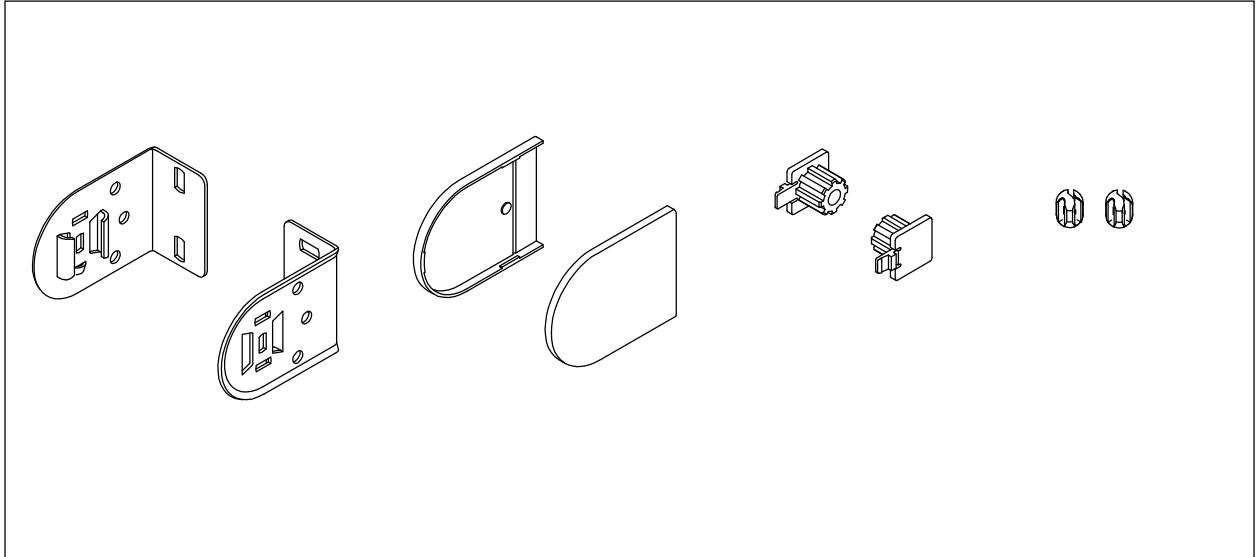
## Installation instructions for the fabric blind mounted in the recess



The following mounting elements are included in the set along with the fabric roller blind:

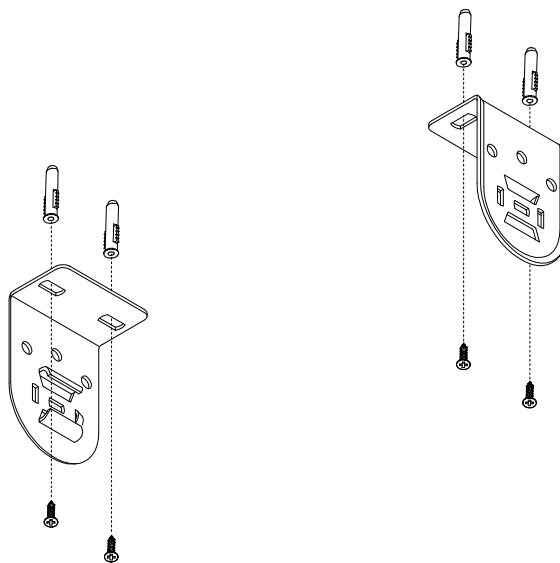
We do not provide the mounting pins. The type of pins depends on the material the walls are built of.

The customer decides which pins to use.



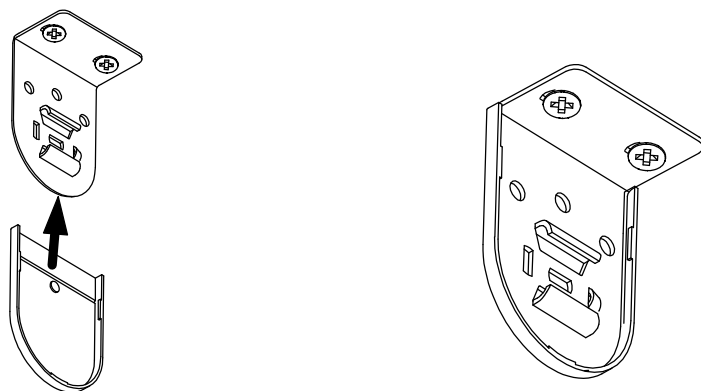
### Stage I

Install the mounting hangers. The roller blind will work properly when mounted horizontal.



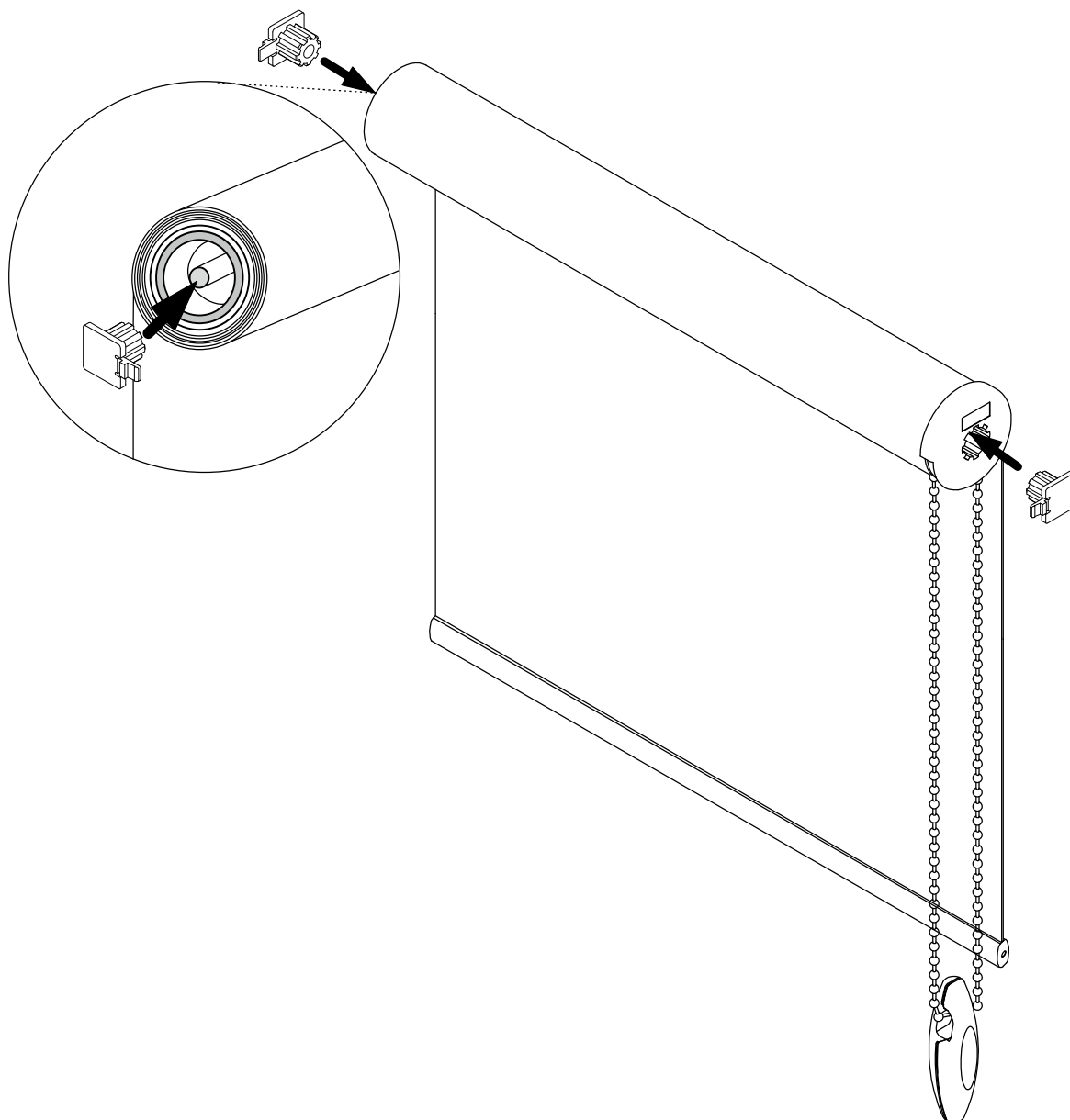
## Stage II

Place the plastic covers on the installed hangers.

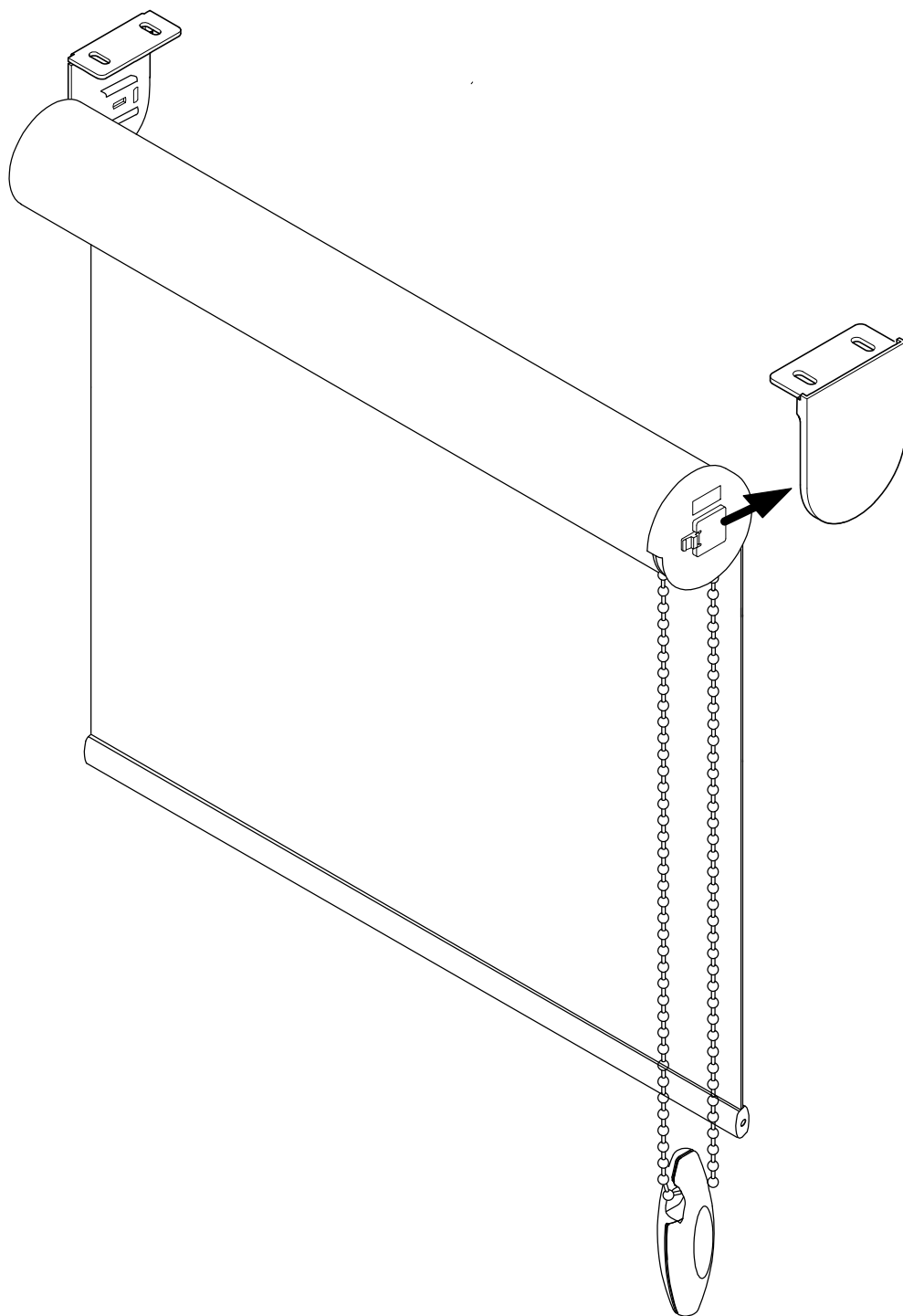


## Stage III

Slide the plastic elements into the blind.



Stage IV  
Place the blind on the mounting hangers.



## Stage V

Place the roller blind stoppers on the operating chain.

