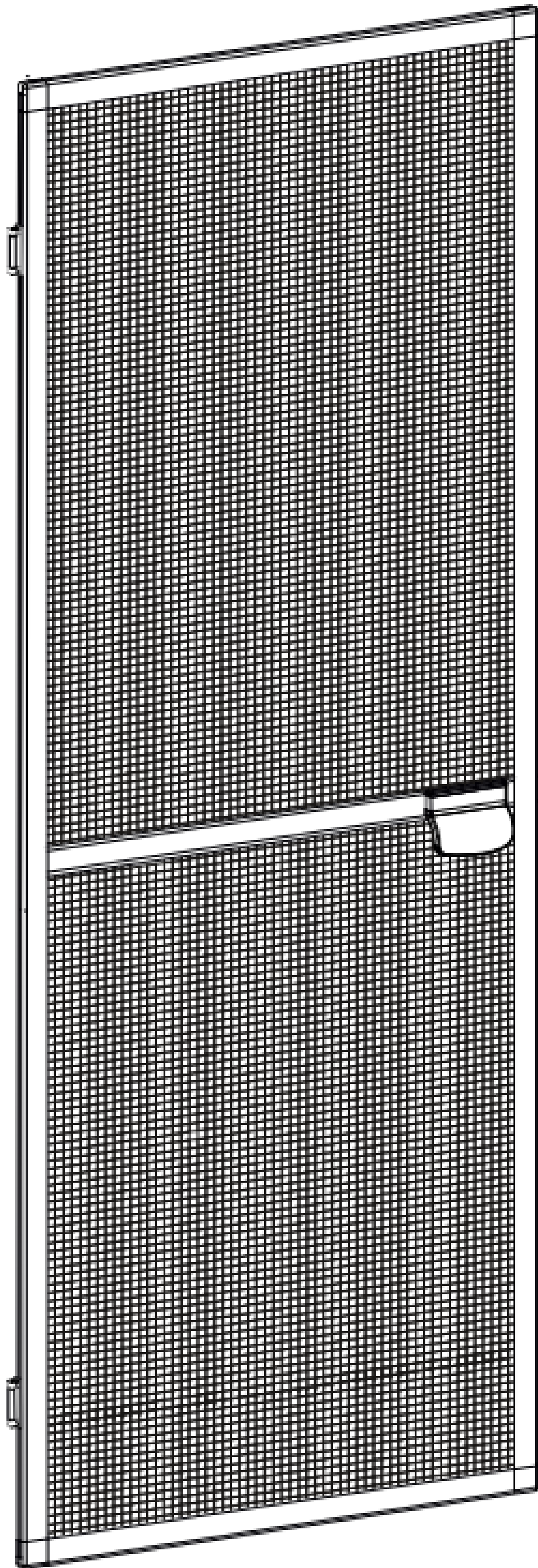
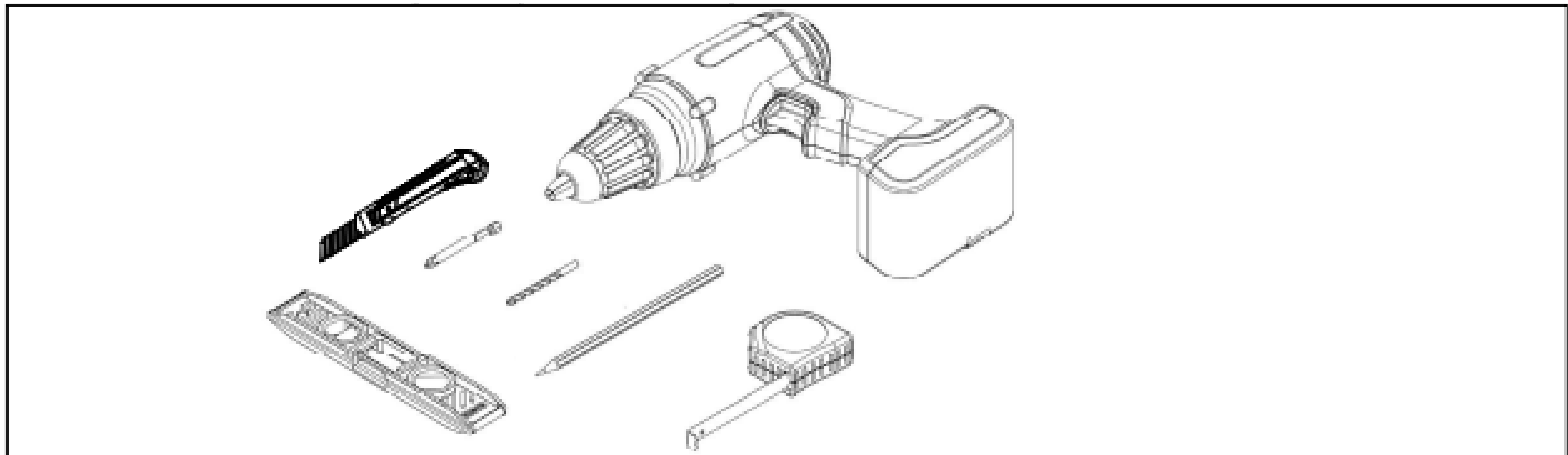


Installation instructions for door mosquito net.
Mounted to the window frame, screw-on version.

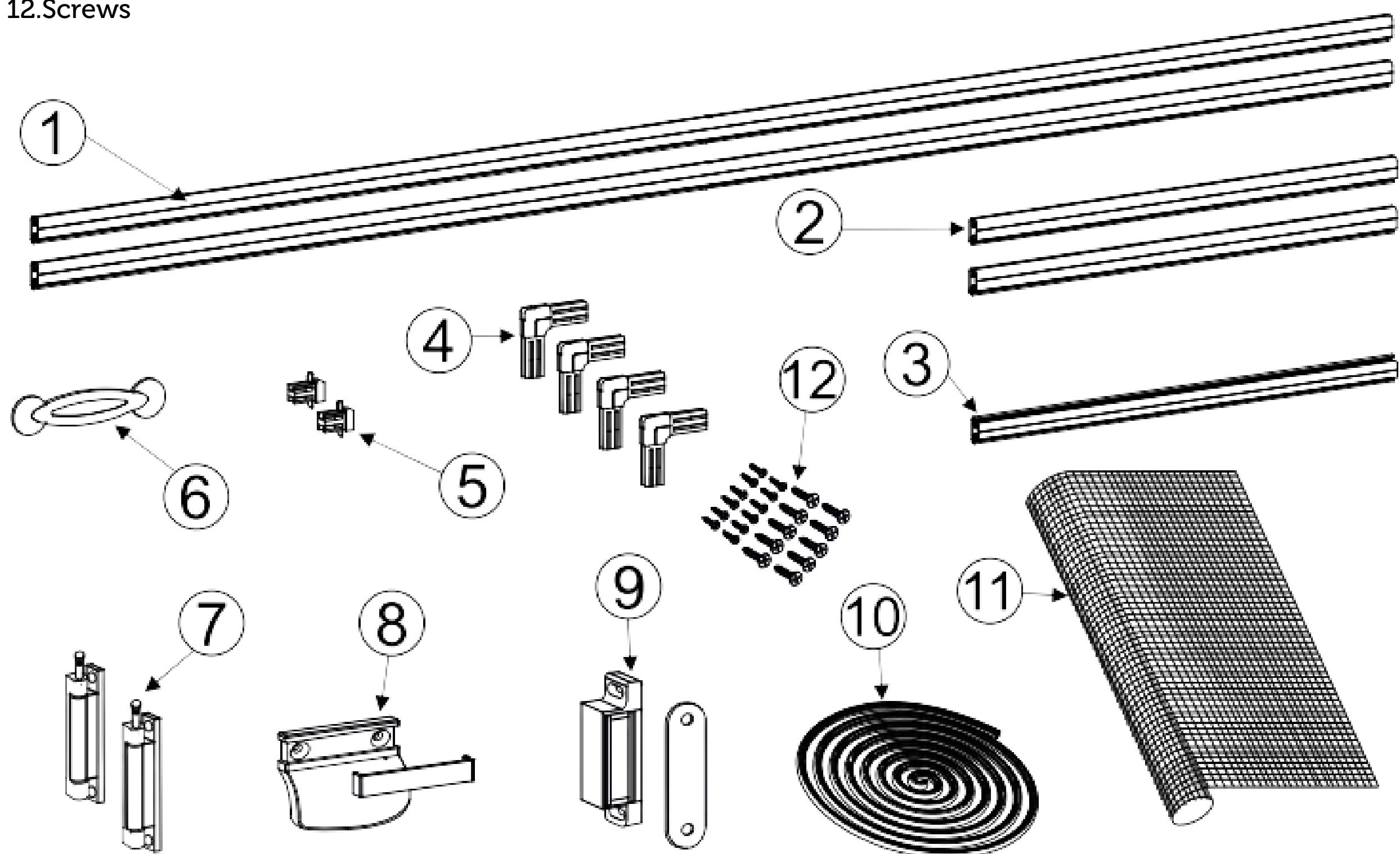


For installation you will need the tools shown in the picture and screws suitable for the window frame. The kit does not contain any screws, because the selection is customer-specific and depends on the material used for the window joinery.



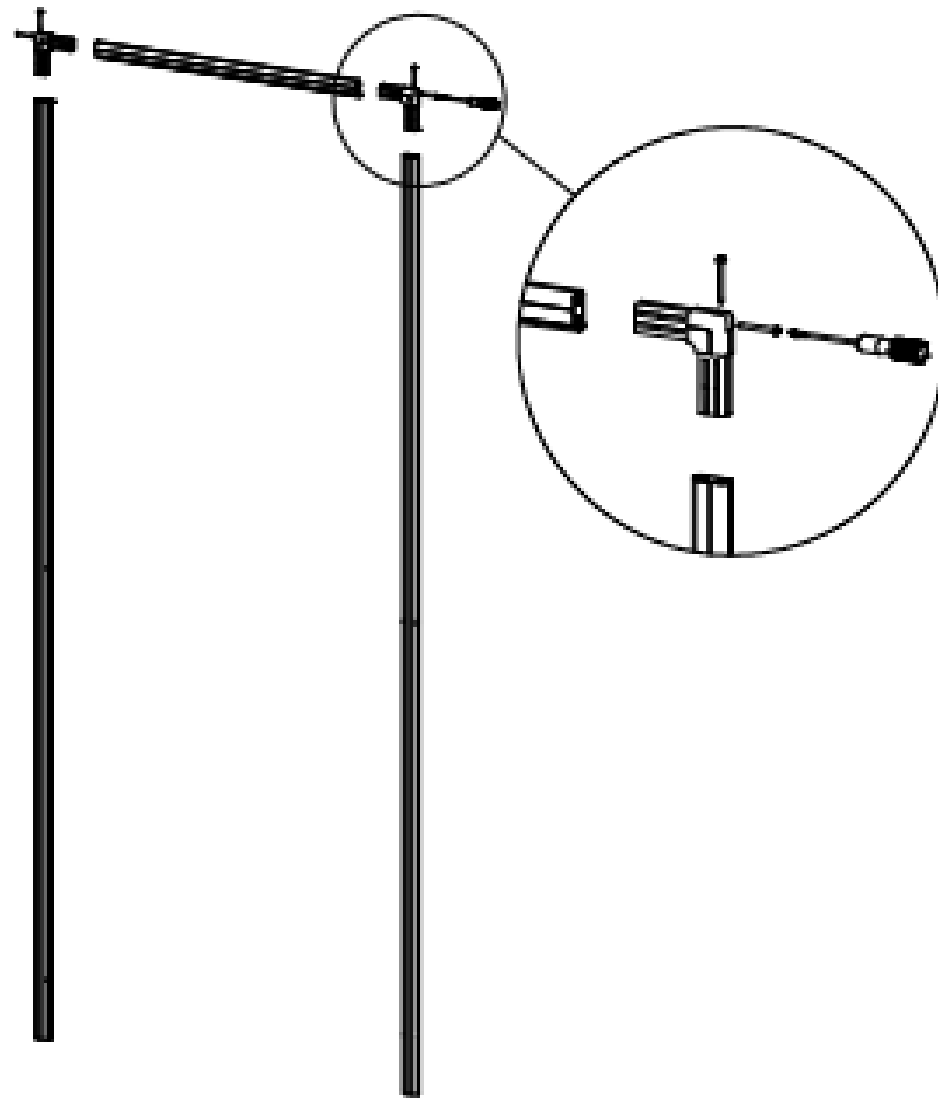
This pack contains:

1. Mosquito net frame - vertical profiles
2. Mosquito net frame - horizontal profiles
3. Crossbar
4. Corners
5. Crossbar connector
6. Seal installation tool
7. Hinges
8. Handle
9. Magnet
10. Seal
11. Mesh
12. Screws



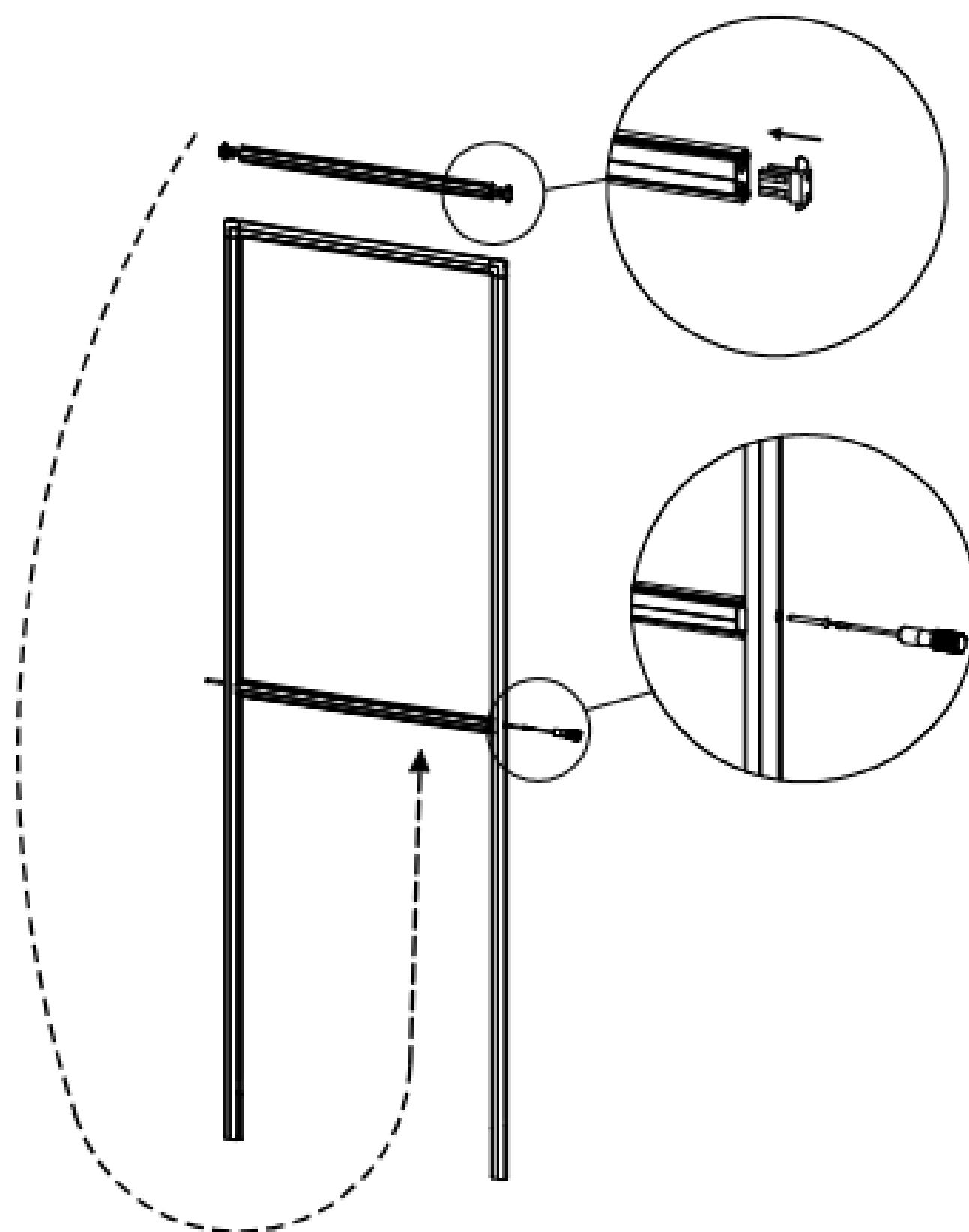
Step I

Screw the frame to the angles using long screws. For the time being, screw only 3 profiles together as shown below.



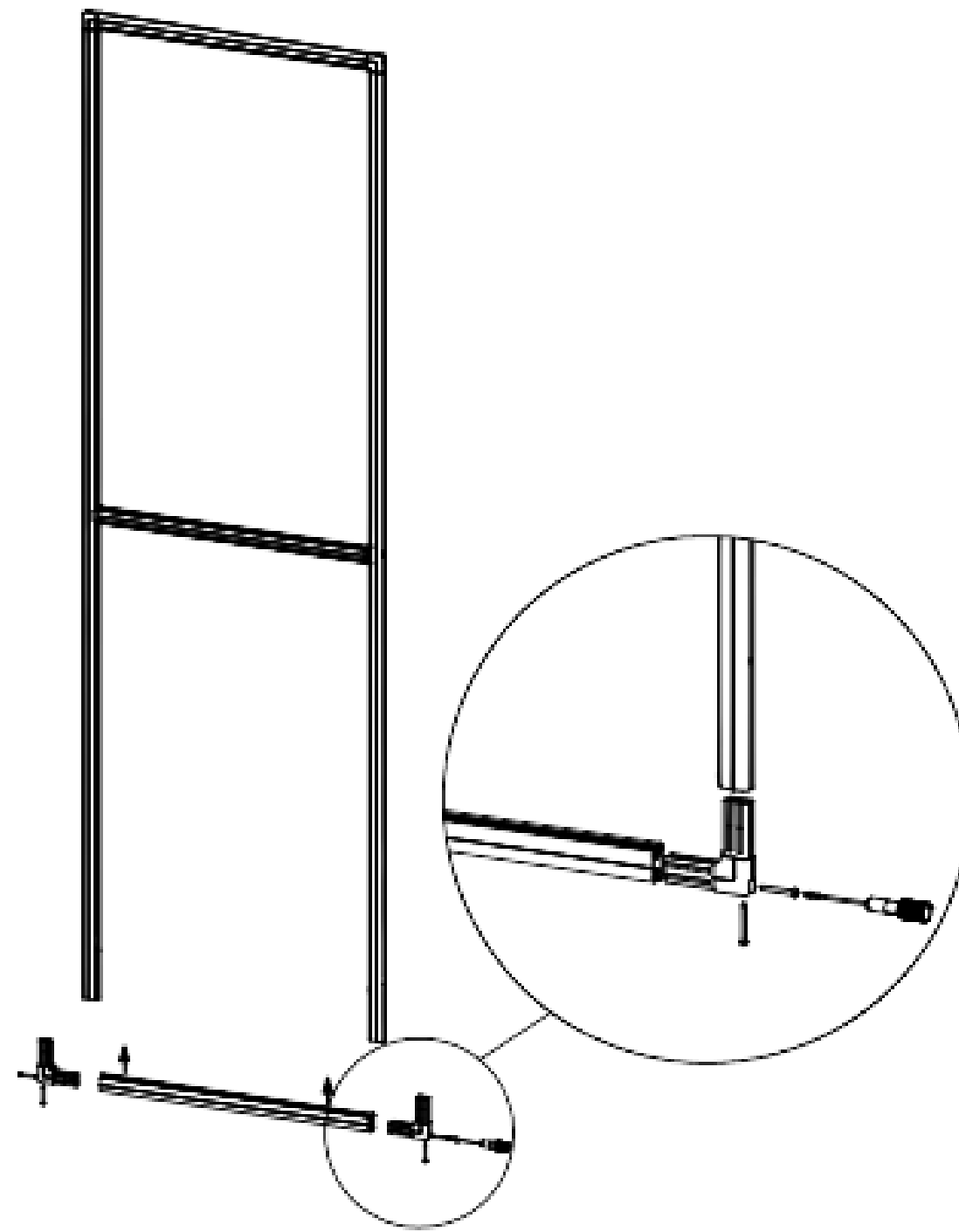
Step II

Insert the crossbar with the connectors in place. Fasten with long screws.



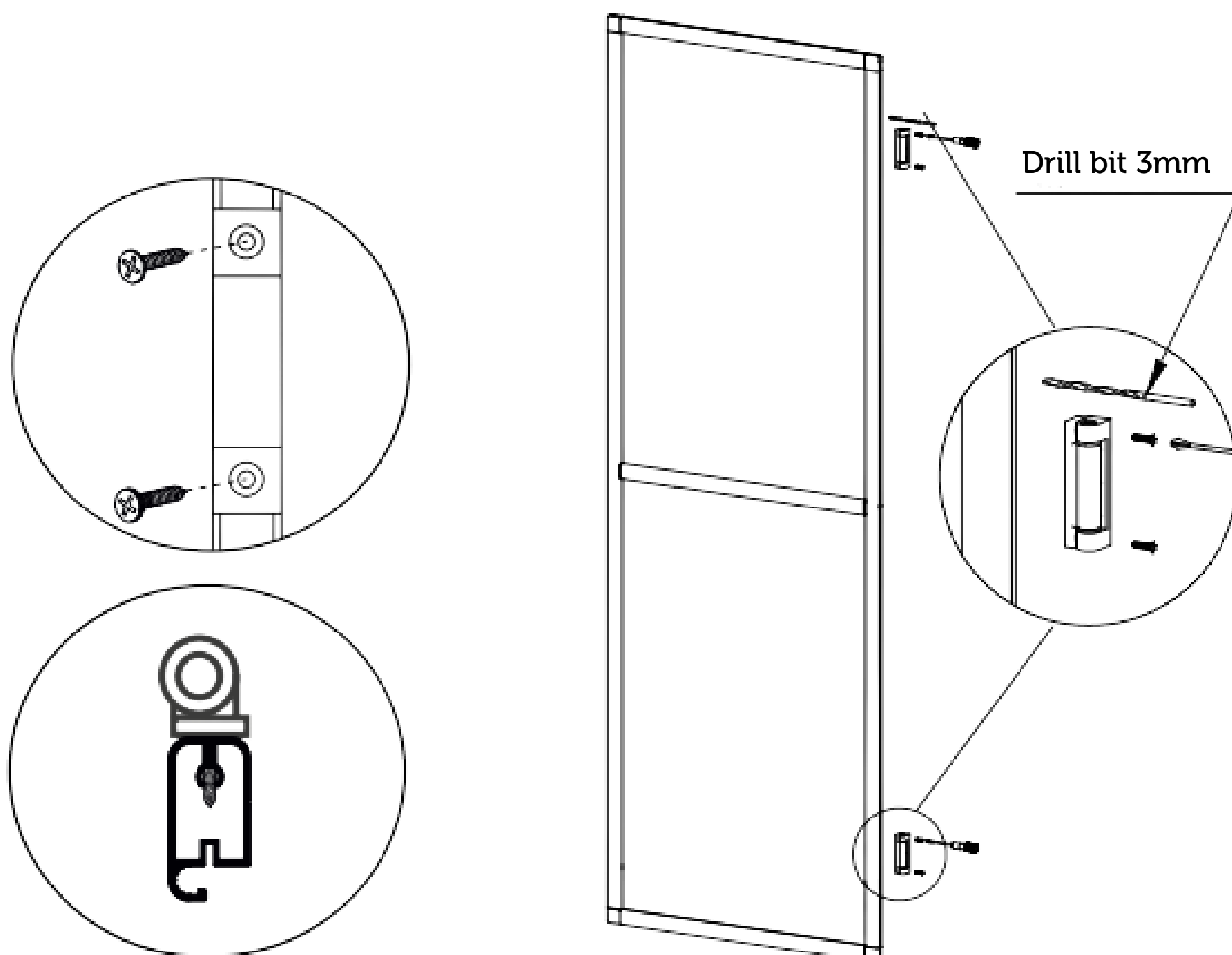
Step III

Assemble the frame to the end as shown below.



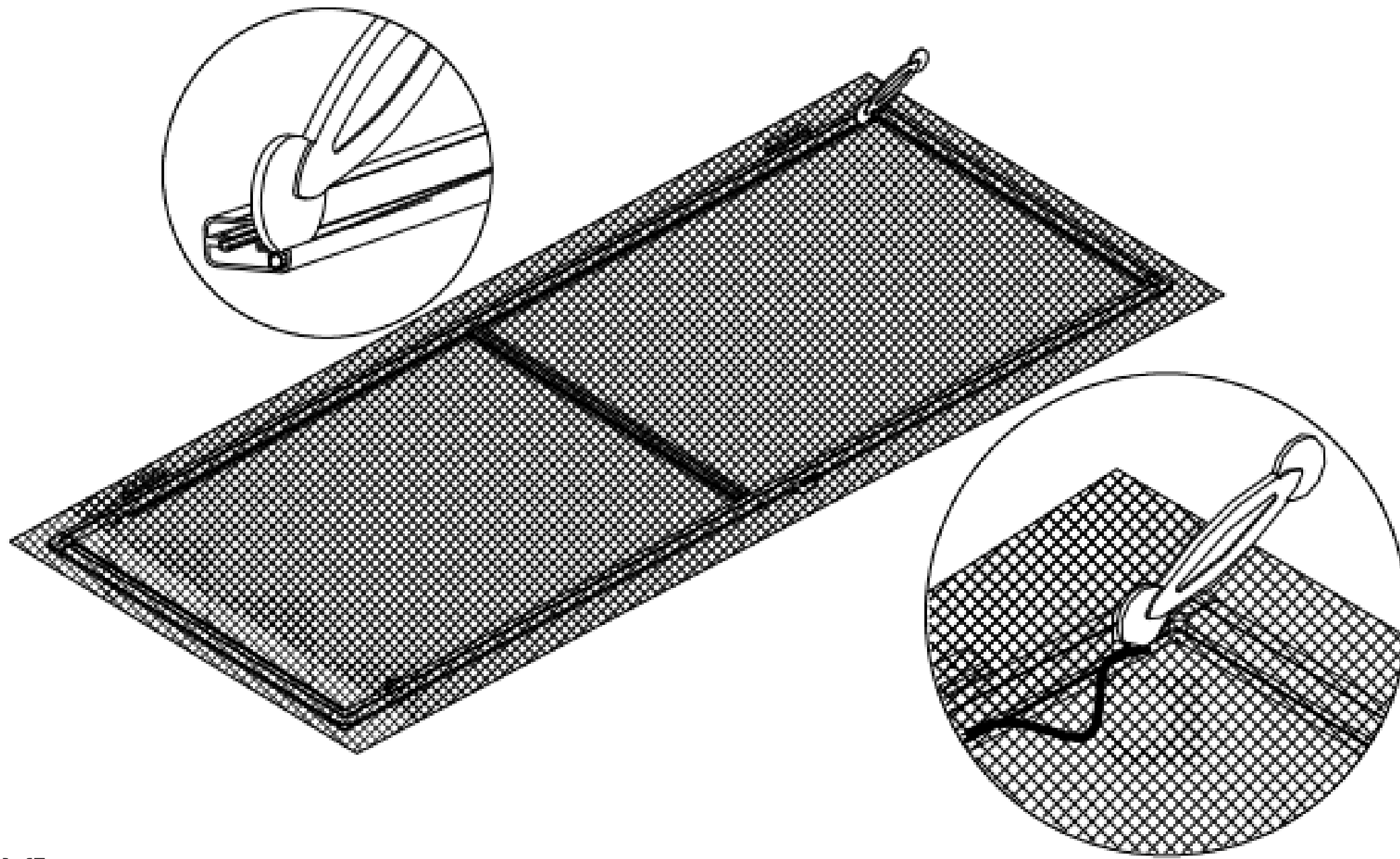
Step IV

Install the hinges.



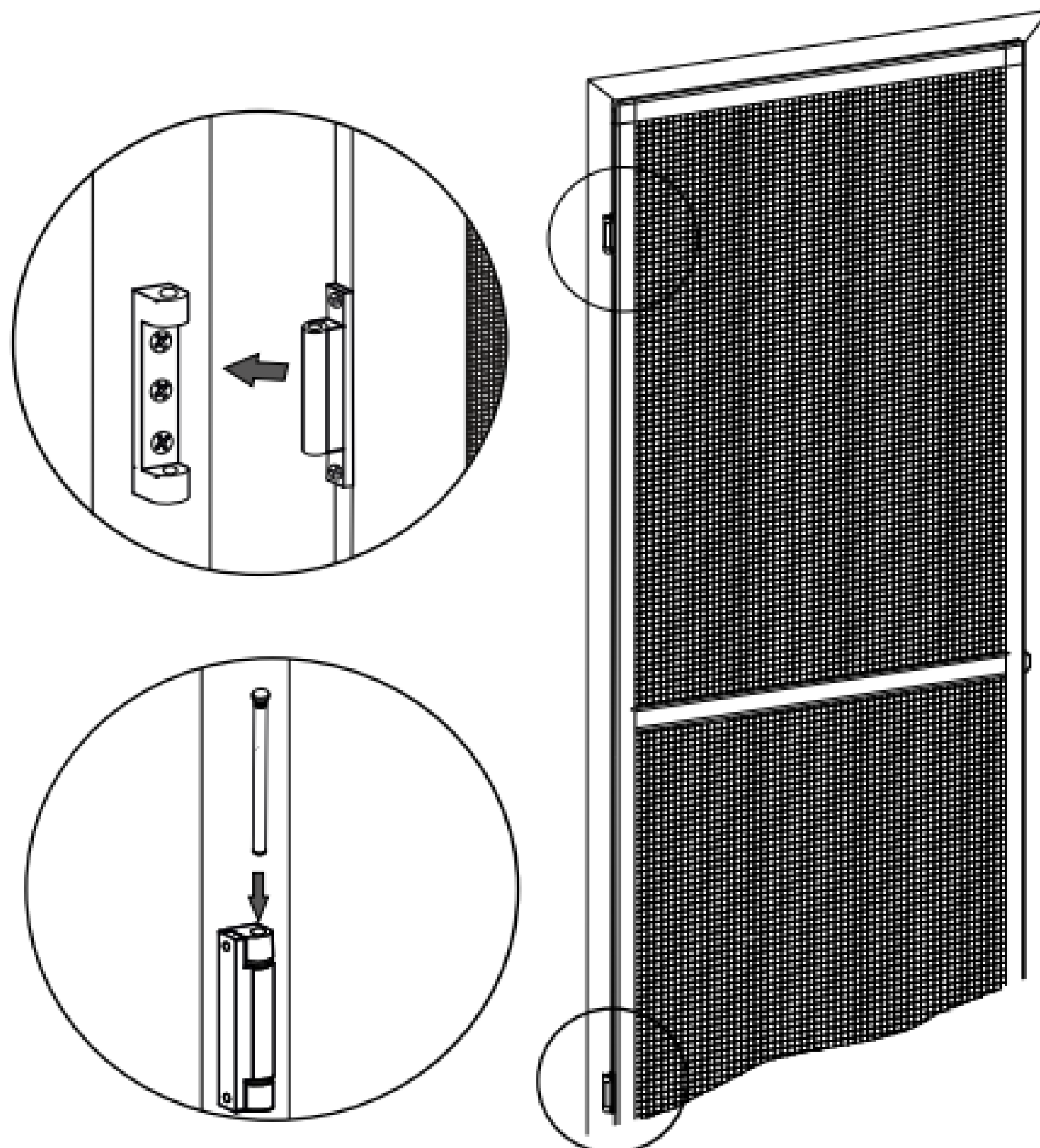
Step V

Use the seal installation tool provided to attach the mesh and the seal. Cut off the excess with a knife.



Step VI

Fix the hinges to the window frame and hang the door.



Step VII

Mount the handle and magnet.

