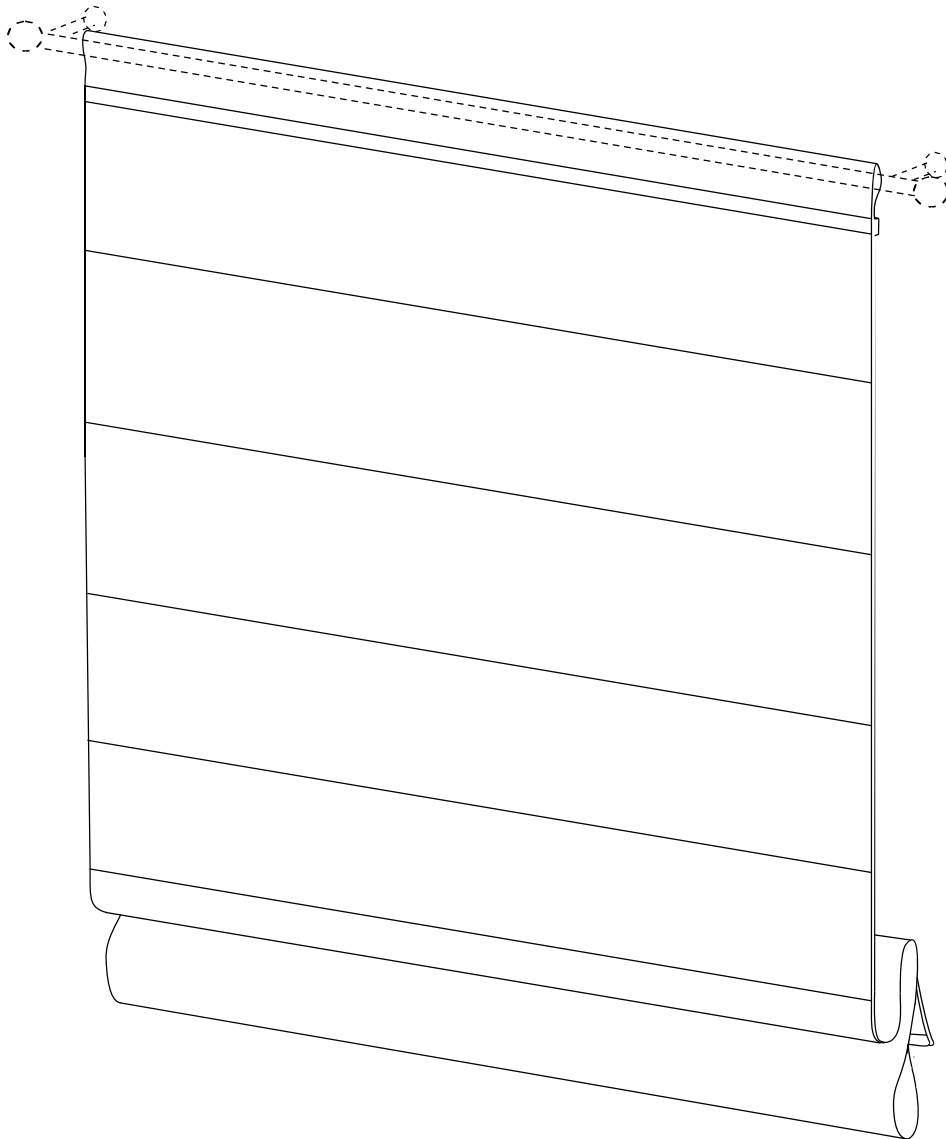
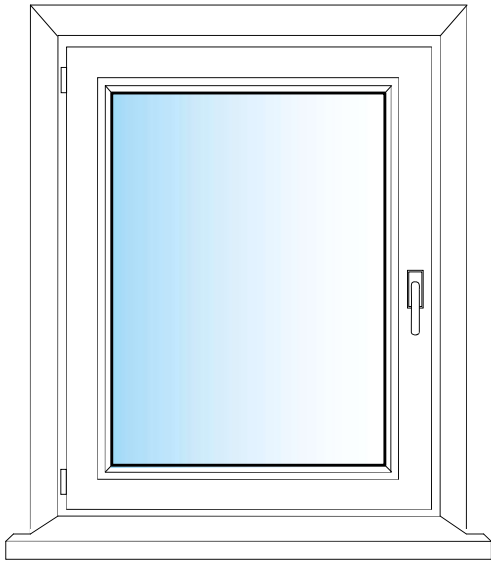


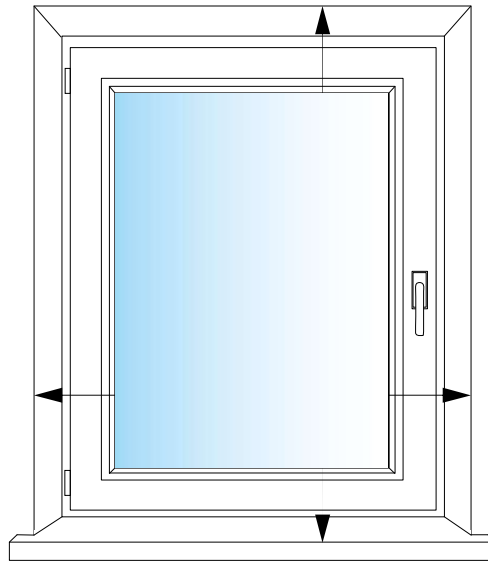
Measuring instruction for Roman Blinds installed on customer's curtain rod



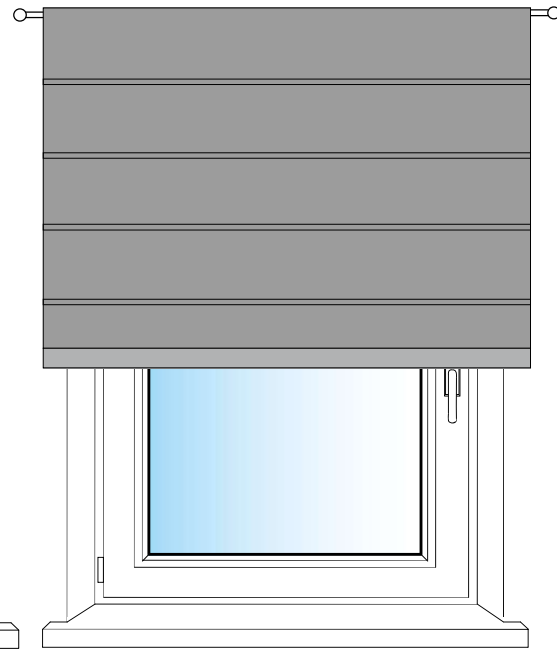
Choose a window



Measure

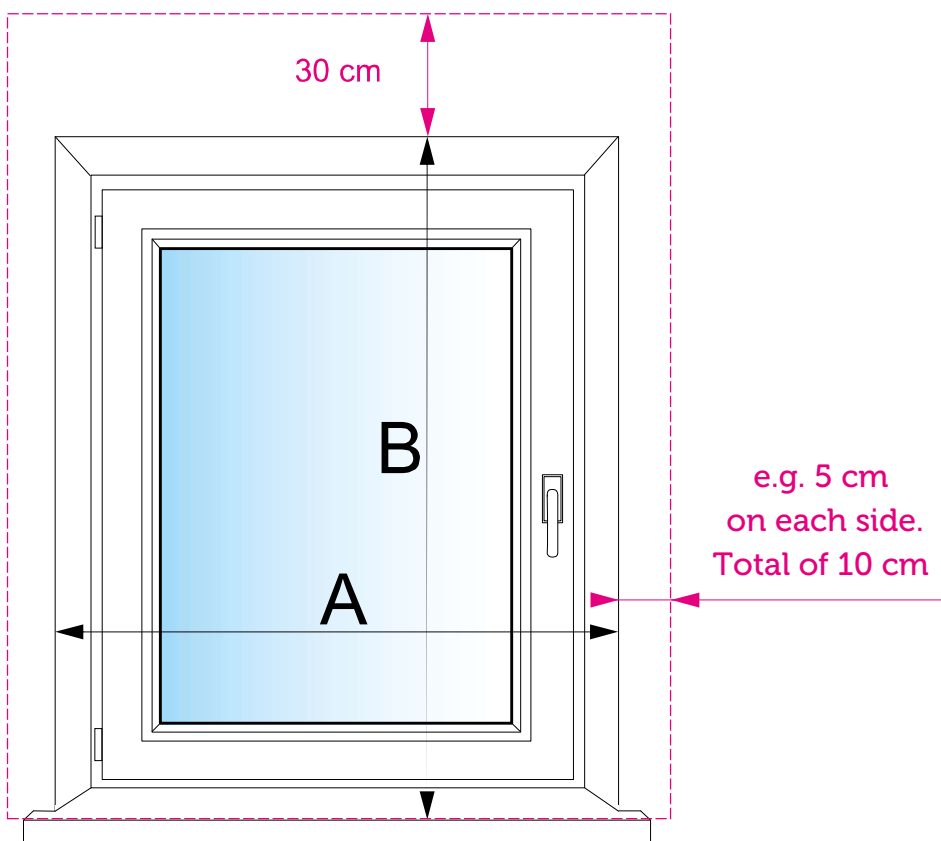


Install



Measurements are given in centimetres (cm).
You specify the width and the height of the fabric including the tunnel for curtain rod.
Keep in mind that the folded blind takes about 20 to 30 cm.
Horizontal stitching is spaced about 20 to 25 cm.
Your curtain rod should be mounted on two brackets.
One on the left side of the blind and one on the right.

Fig, 1



Measure the width and height of window recess Fig. 1

Enter the desired width, add the surplus of a fabric overlapping the wall on the right and left at your preference. (e.g. 10 cm)

Example: A = 125 cm
 $125 + 10 = 135$ cm

Specifying the desired height, add surplus depending on the height at which you want to mount the blind. (e.g. 30 cm). Keep in mind that the folds of the blind are around 30 cm.

Example: B = 150 cm
 $150 + 30 = 180$ cm