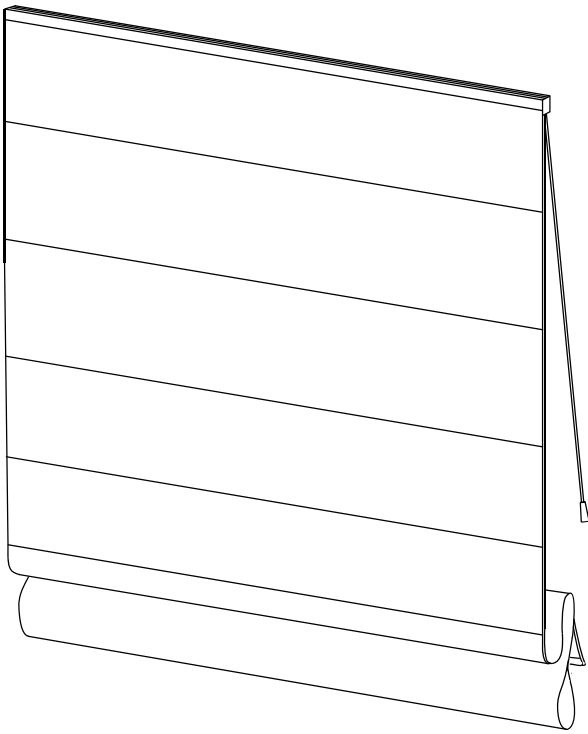
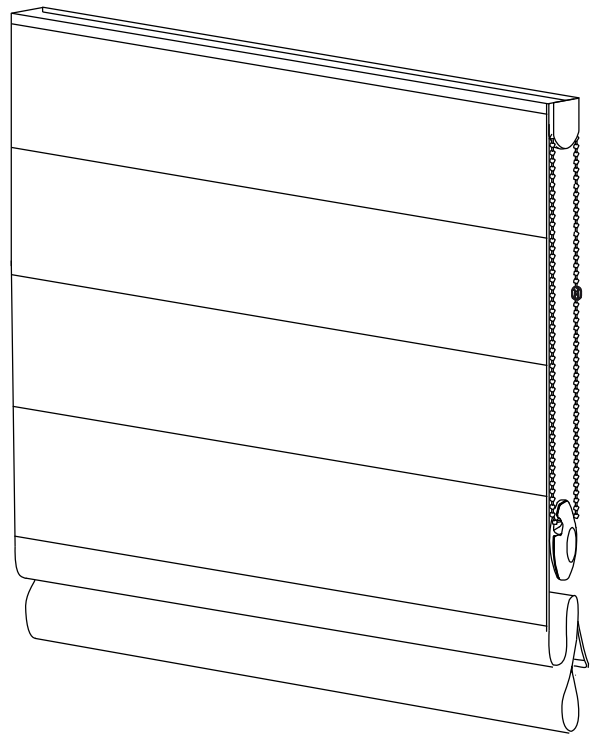


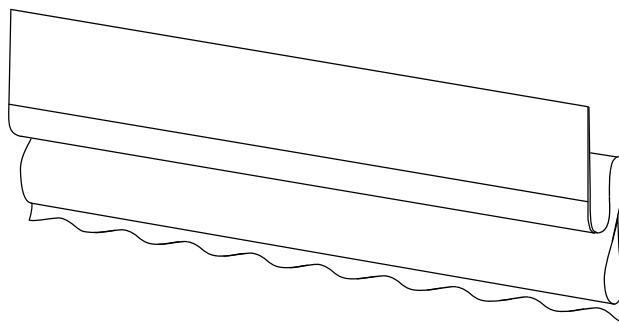
Measuring instruction for Roman Blinds wall or ceiling mounted



String mechanism



Beaded chain mechanism

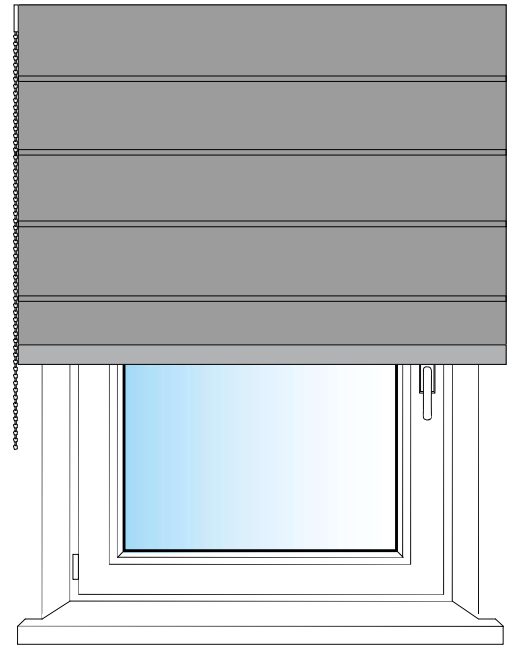
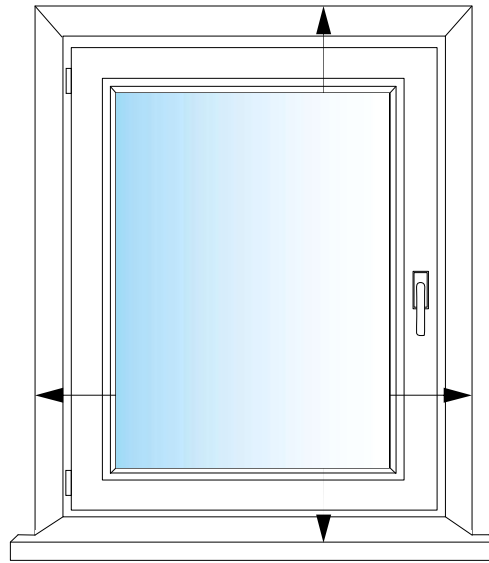
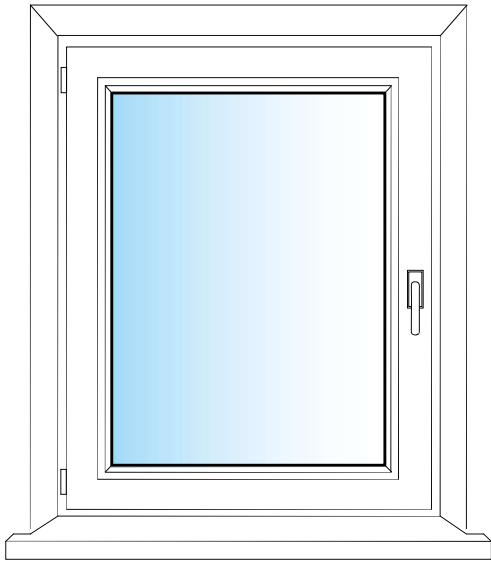


Frill option

Choose a window

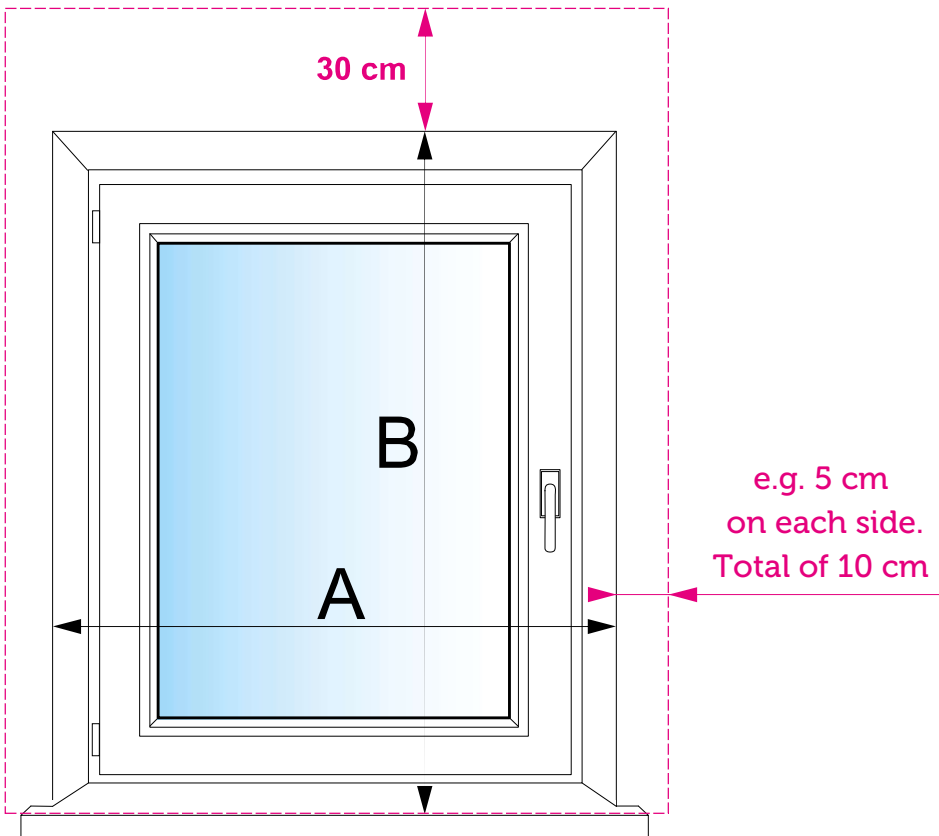
Measure

Install



Measurements are given in centimetres (cm).
You specify the width and the height of the fabric.
Keep in mind that the folded blind takes about 20 to 30 cm.
Blind with additional frill will be higher by 8 cm.
Horizontal stitching is spaced about 20 to 25 cm.

Fig. 1



Measure the width and height of window recess Fig. 1

Enter the desired width, add the surplus of a fabric overlapping the wall on the right and left at your preference.
(e.g. 10 cm)

Example: A = 125 cm
 $125 + 10 = 135$ cm

Specifying the desired height, add surplus depending on the height at which you want to mount the blind. **(e.g. 30 cm)**. Keep in mind that the folds of the blind are around 30 cm.

Example: B = 150 cm
 $150 + 30 = 180$ cm