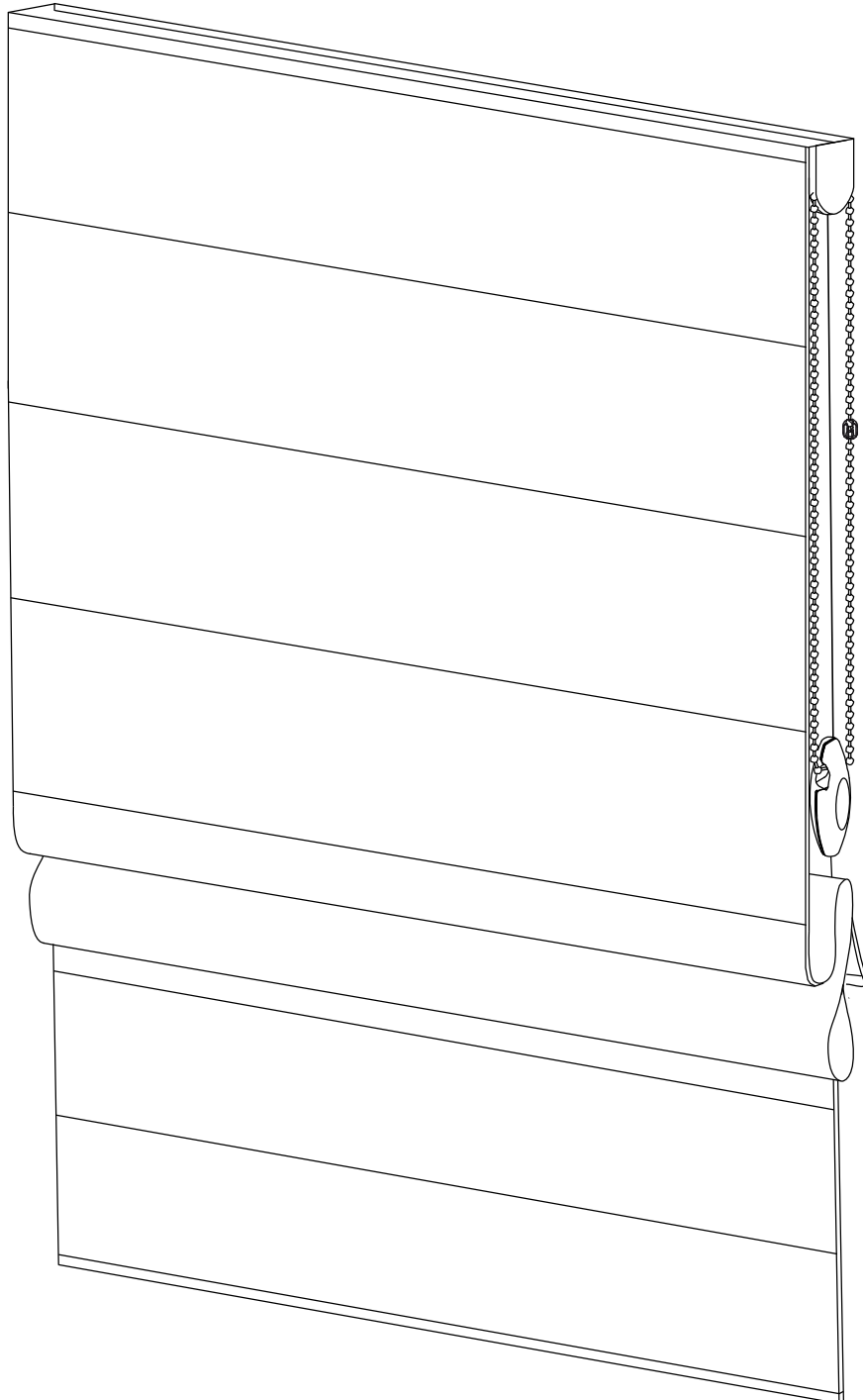
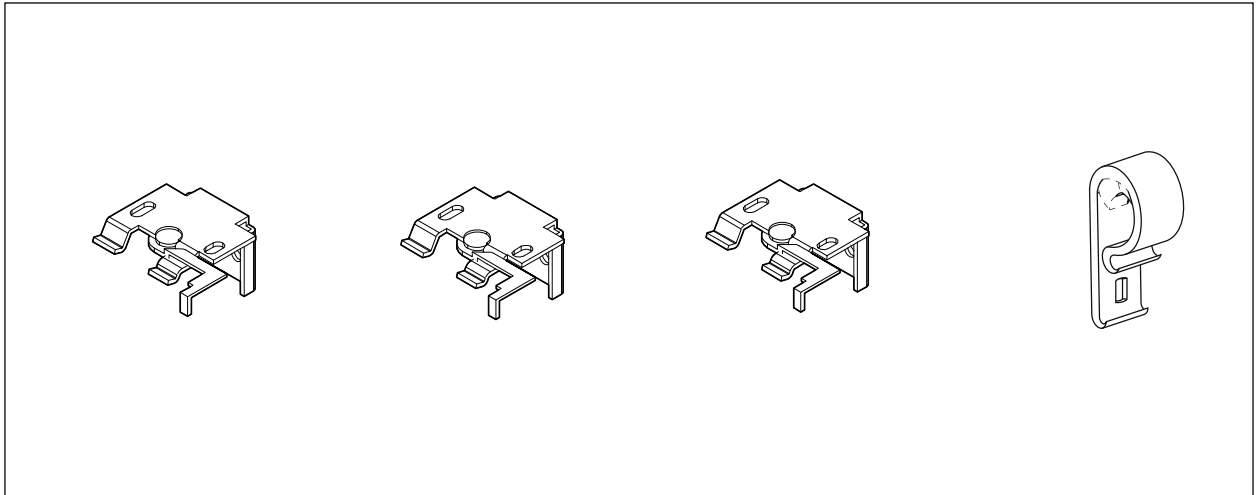


Installation instruction for DUO roman blinds made of two fabrics,
mounted on the wall or on the ceiling.



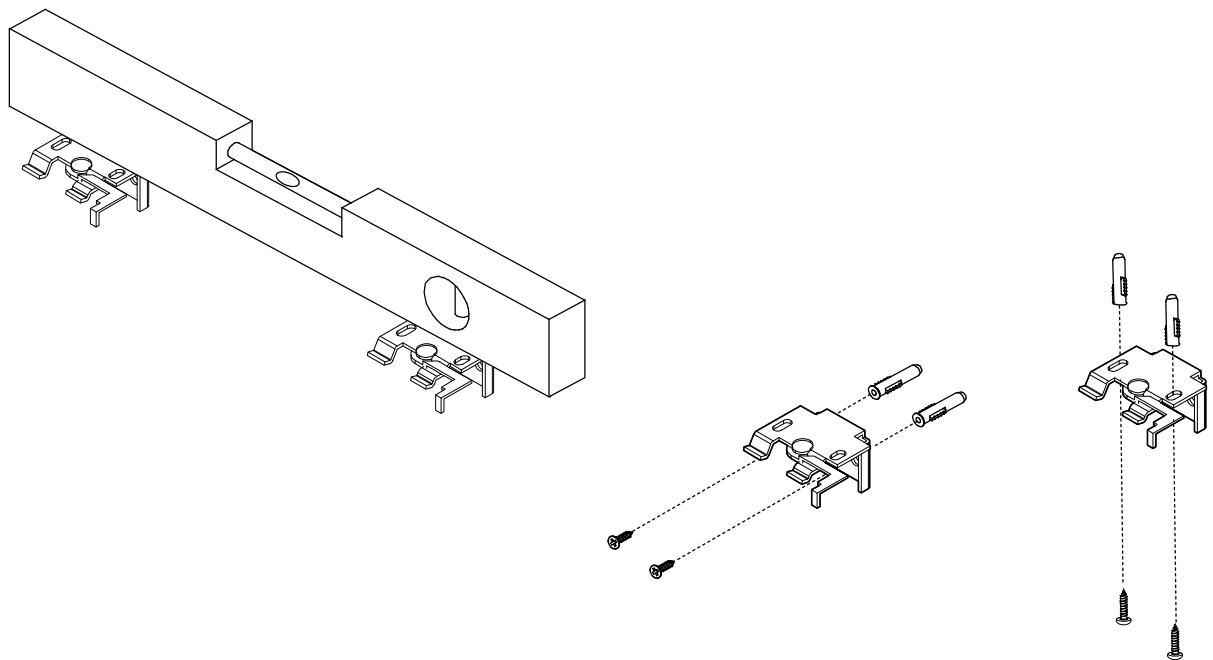
BEADED CHAIN MECHANISM

The following mounting brackets are supplied with the roller blind. Their number depends on the width of the Roman blind. Minimum 2pcs, maximum 5pcs. Mounting pegs are not included in the kit, as their choice is up to the customer and depends on the material from which the building walls are made.



Step I

Install the mounting brackets. The roller blind must be mounted horizontally to work properly.

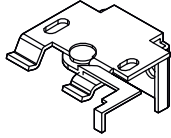


Step II

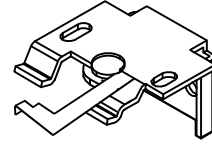
Click-in the rail of the blind into the hangers as shown below.

Hangers have a lever which is used to click-in the rail.

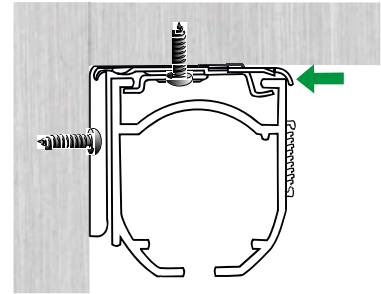
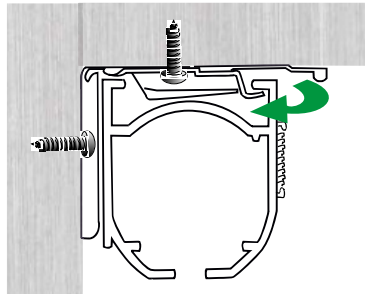
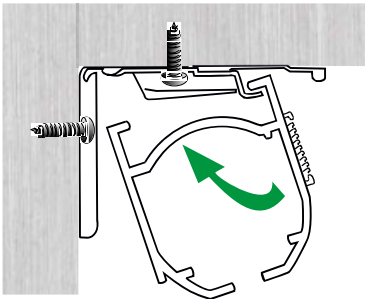
Before installation the lever must be open.



Hanger with closed lever



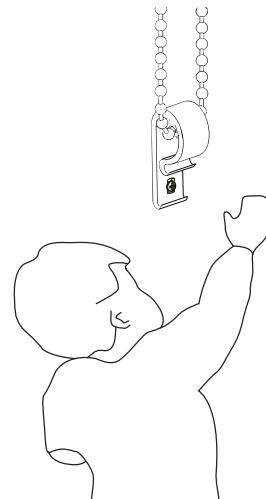
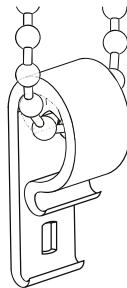
Hanger with opened lever



Step III

The set includes beaded chain tensioner.

The law states that this element must be fixed to the wall and the chain is to move along it as shown below. The aim is for young children not to come into contact with the beaded chains.

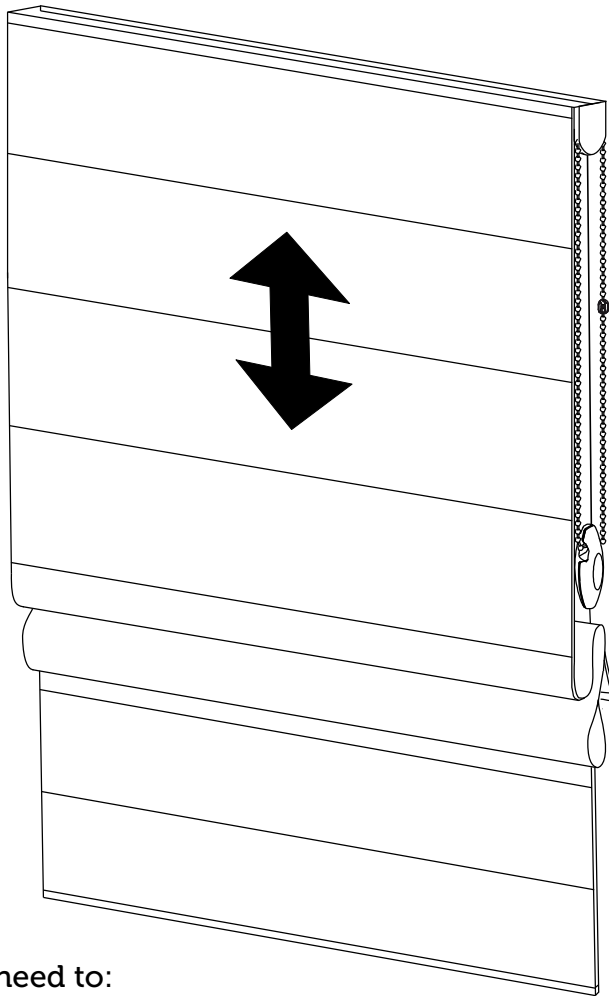


Step IV

Check correct operation of the blind.

The chain on the left side operates the fabric which is at the back of the blind.

The chain on the right operates the fabric at the front of the blind.



To wash a roller blind you need to:

Unhook the blind rail from the hangers and unroll it to its full height, untie the strings and pull out the horizontal stiffeners, the bottom weight and detach the fabric from the rail.

After hand washing and ironing:

Place the fabric on the rails, insert the horizontal stiffeners, thread the strings through the hoops, align the cords and tie off the bottom. Re-install the blind to the hangers.

Our good advice.

Take a picture of the interlacing of the strings before you start to untie the blind. This will help you to thread the cords correctly after washing.



WARNING

Young children can be strangled by the loops formed by cords, chains and pull-straps operating the window coverings. They can also wrap the cord around their neck. To avoid looping and entanglement, keep cords out of the reach of young children. Move beds, cots and furniture away from window curtain cords.