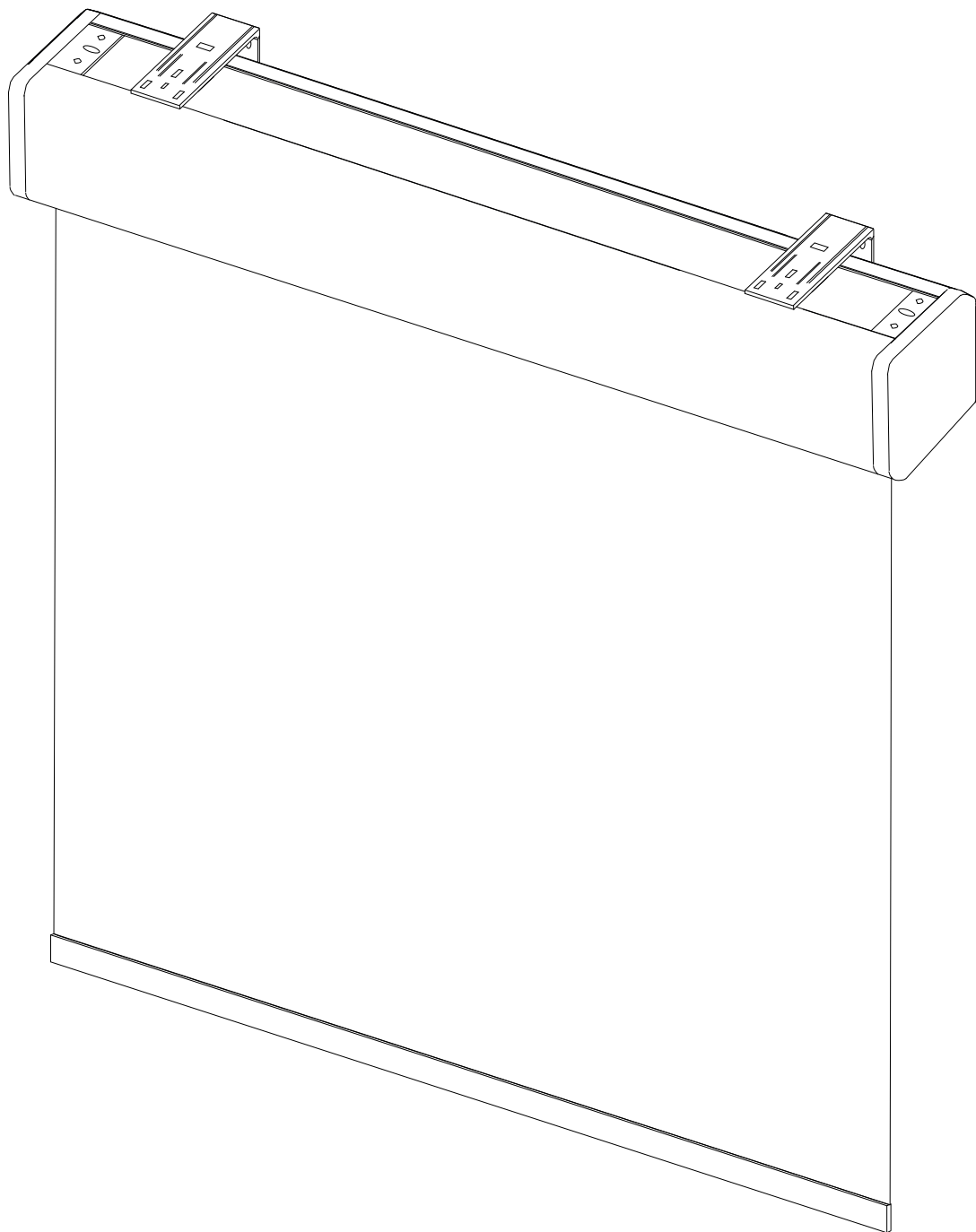




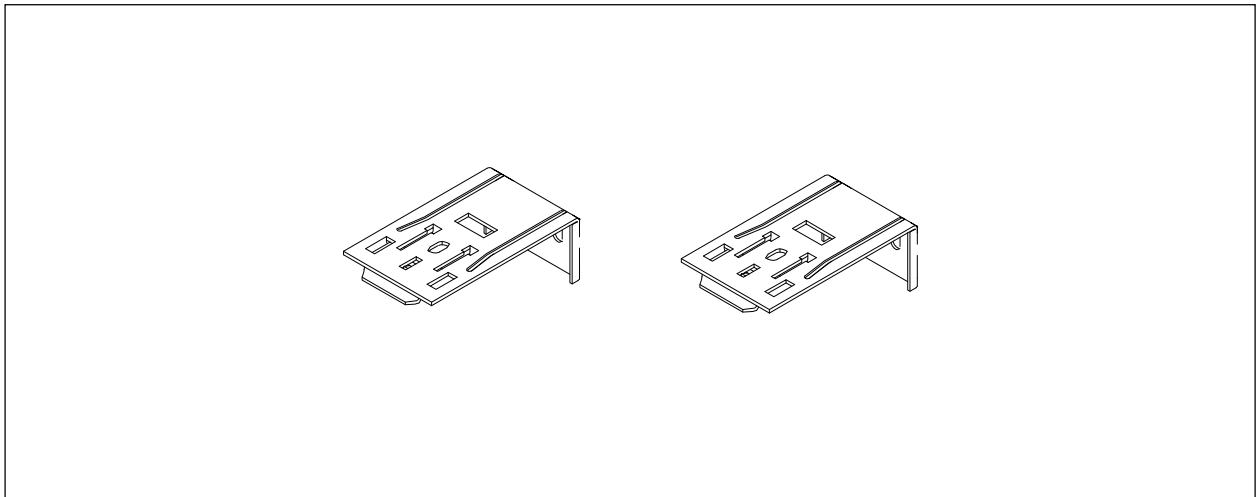
Installation instruction of electric roller blind in a cassette.



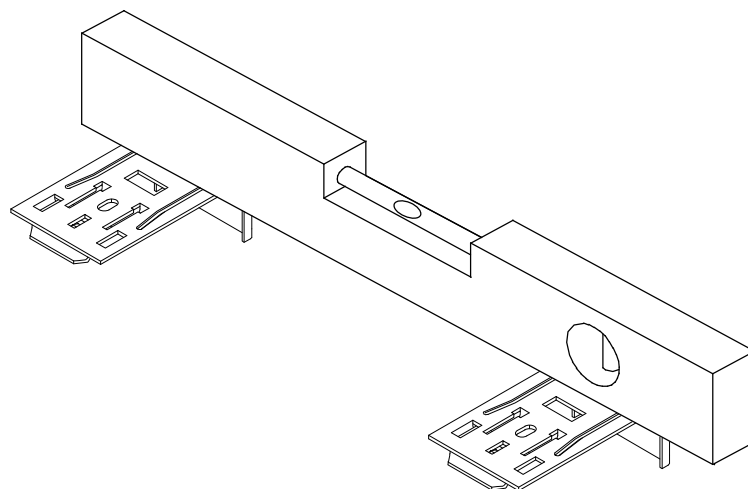
The following mounting brackets are supplied with the roller blind.
Their number depends on the width of the roller blind.

Minimum 2 pcs, maximum 4 pcs.

Mounting pegs are not included in the set, as their choice is up to the customer and depends on the material from which the building walls are made.

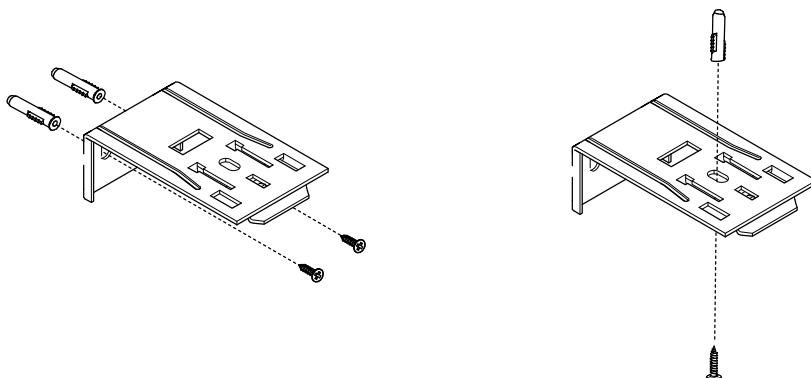


To ensure the proper functioning it must be installed horizontally.



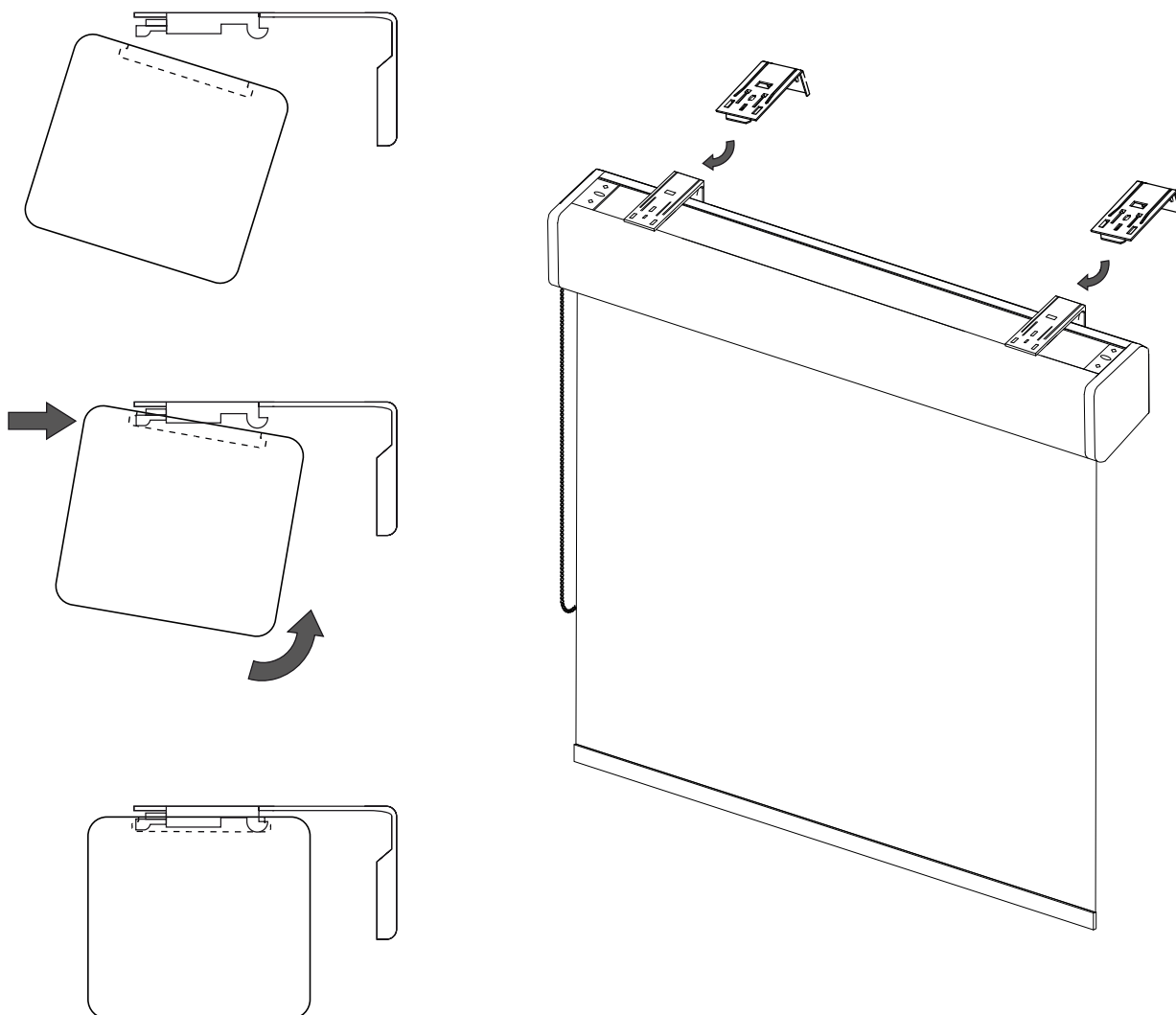
Step I

Mount hangers on the wall or ceiling.



Step II

Click the blind onto the hangers as shown below.



Step III

Somfy drive connection and safety rules.

1 Introduction

Product Description

The Sonesse® 40 is a motor specially dedicated to interior applications.

The Sonesse® 40 motor range can motorize all interior applications: Roller shades, Venetian blinds, Roman shades, Pleated & cellular shades, Projection screens.

The Sonesse® 40 is designed to ensure quiet operations.

2 Safety

2.1 General information

- This Somfy product must be installed by a professional motorisation and home automation installer, for whom these instructions are intended.
- Before installation, check that this product is compatible with the associated equipment and accessories.
- These instructions describe how to install, commission and use this product.
- Moreover, the installer must comply with current standards and legislation in the country in which the product is being installed, and inform his customers of the operating and maintenance conditions for the product.
- Any use outside the sphere of application specified by Somfy is not approved. Such use, or any failure to comply with the instructions given herein will invalidate the warranty, and Somfy refuses to accept liability.

2.2 Specific safety advice

The safety instructions that must be observed, besides the usual rules, are explained in these instructions and in the attached «Safety Instructions» document.

Never immerse the motor in liquid!



Avoid impacts!



Never drill holes in the motor!

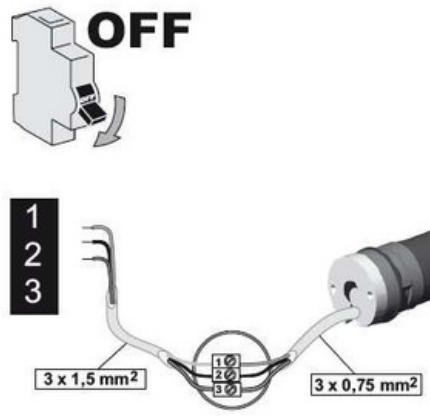


Do not drop it!



Wiring

Range	1 Neutral	2 Live	3 Earth
230V 50Hz	blue	brown	N/A



Step IV

If a transmitter (remote control) has been ordered, programming, i.e. assigning it to the motor, is extremely easy thanks to the Help me by Somfy app, which guides you through the process step by step.

Download from:

<https://www.somfypro.co.uk/helpme-app>

or scan the following code



somfy.