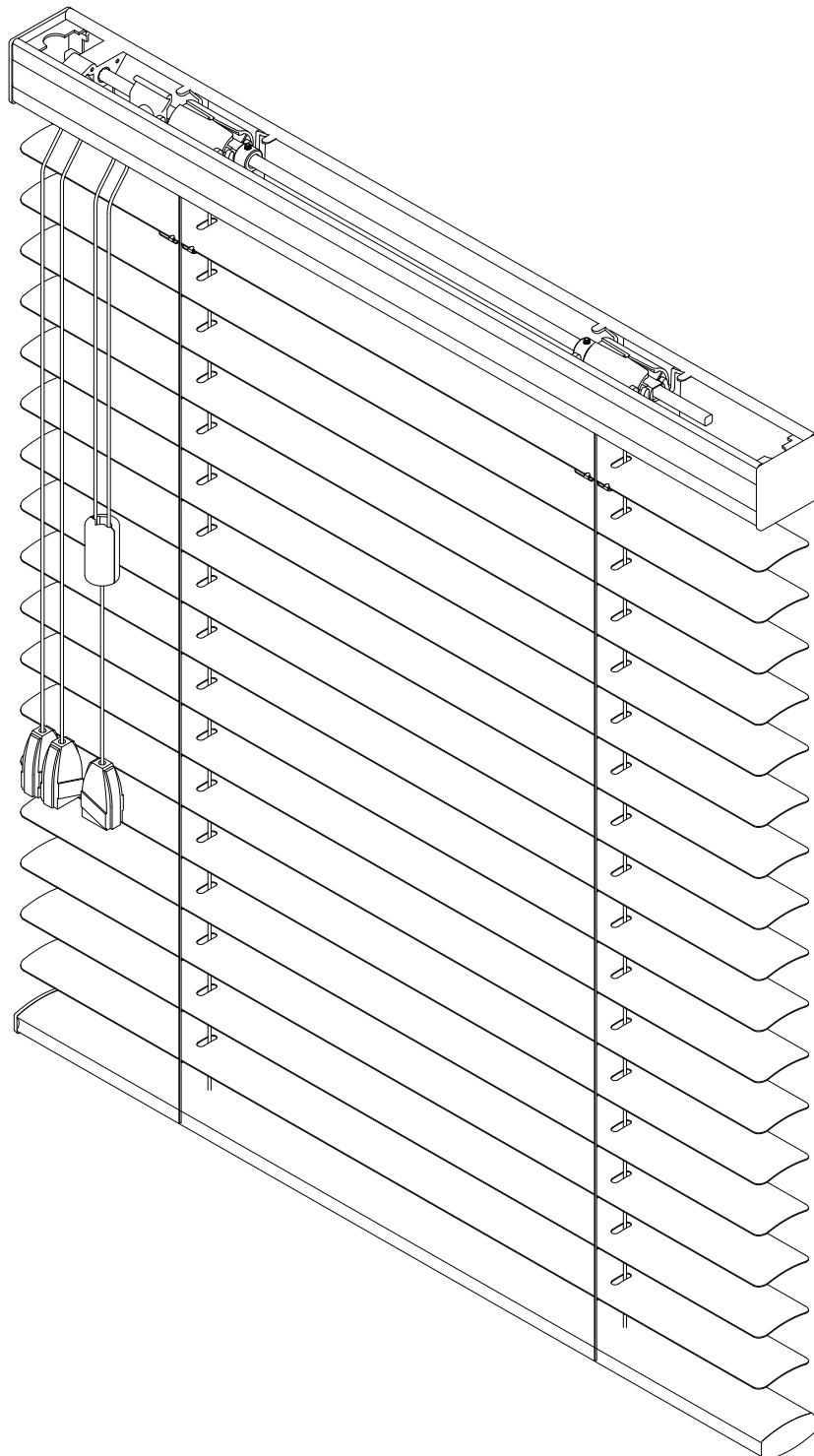


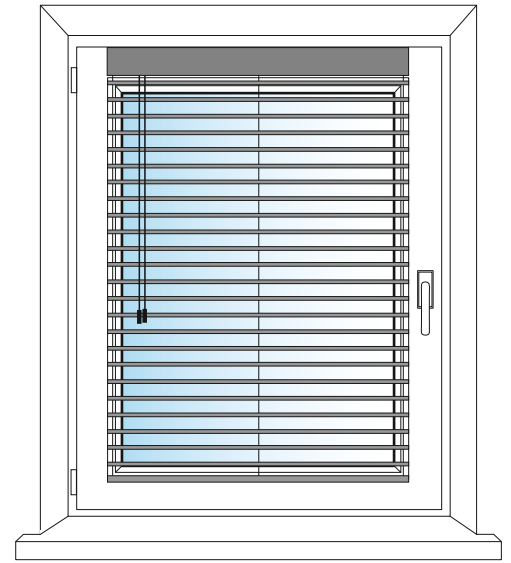
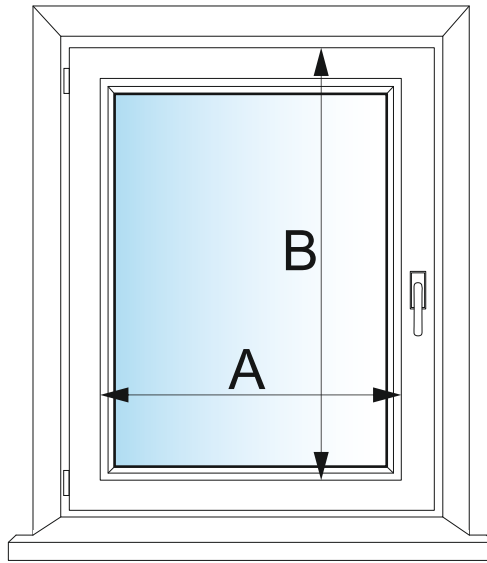
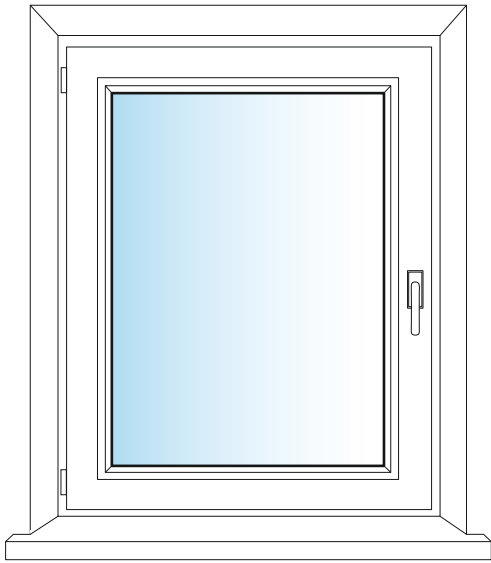
Dimensioning Instructions for 50 mm Aluminum blinds mounted on window frame



Choose window

Measure

Install



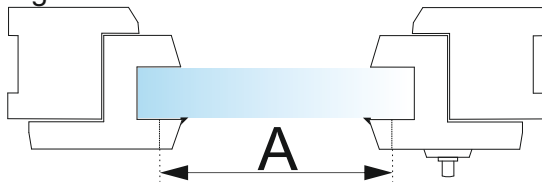
Dimensions are given in millimeters(mm).

You specify the width of the finished blind and the height of the entire blind.



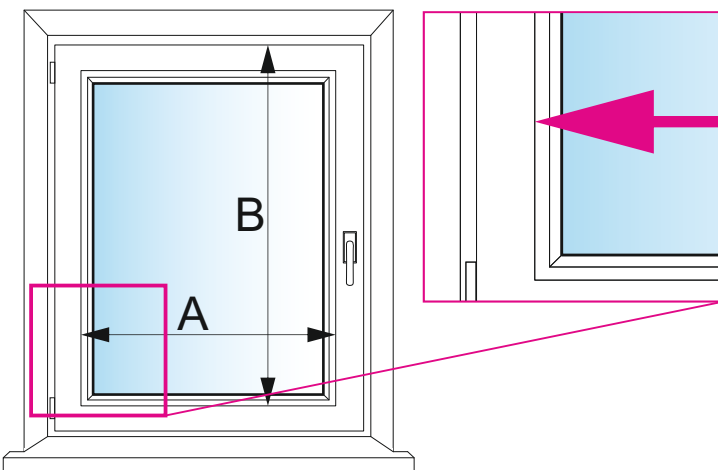
Note that after the blind is lifted, the set of aluminum feathers will take about 5% of its height plus 8 cm.

Fig. 1



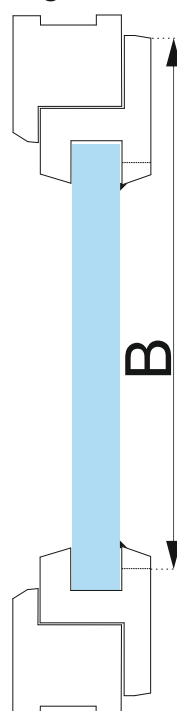
Measuring width, check distance between outer edges of glazing beads Fig. 1, 2.

Fig. 2



Measuring the height, check the dimension between the upper and lower edges of the glazing beads. Figure 3

Fig. 3



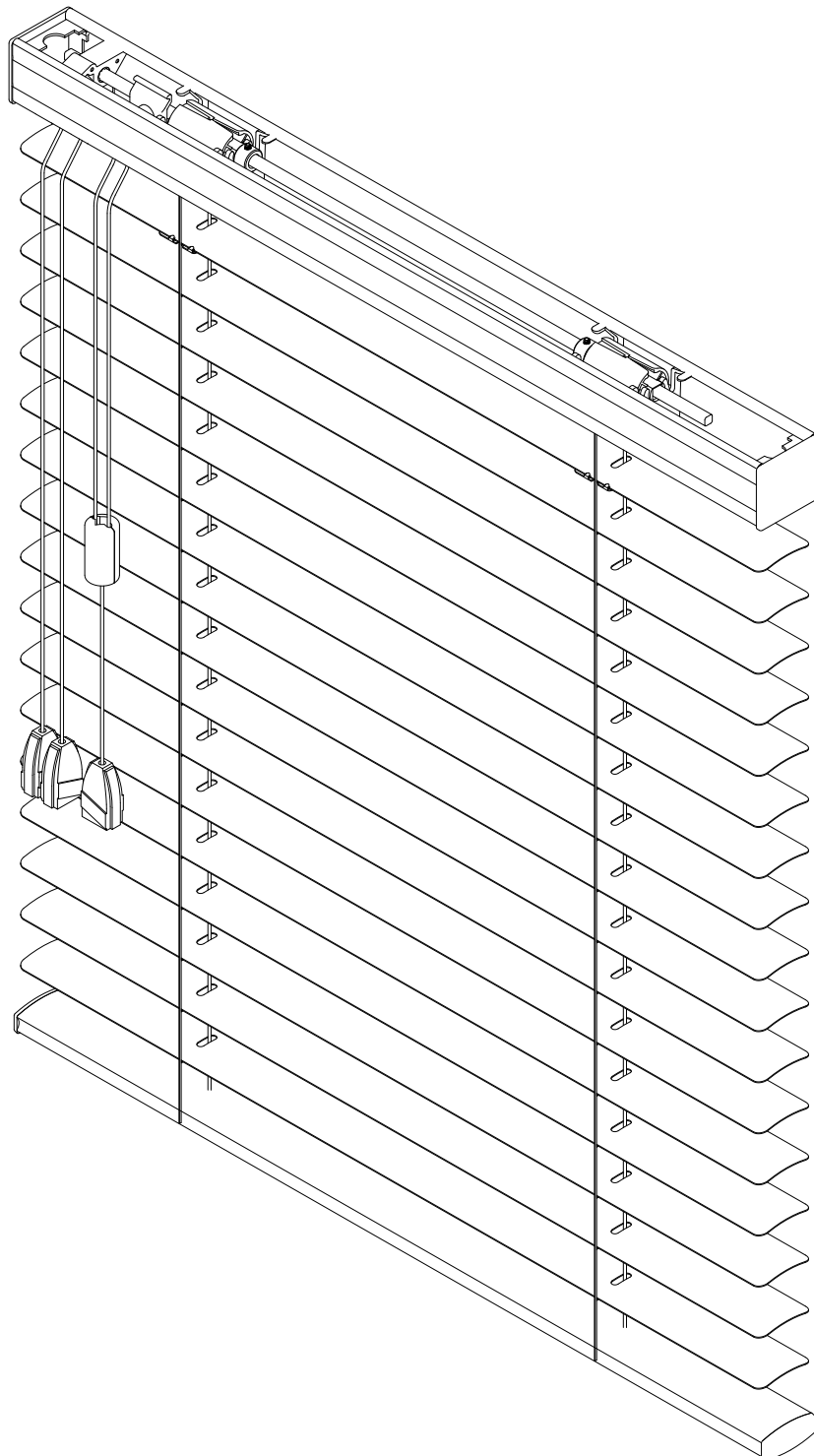
If the window is with a vent, the height is measured as if the lower vent grille was the beginning of the window height.

Enter the desired dimensions in the configuration for your measurements:

Width = A

Height = B

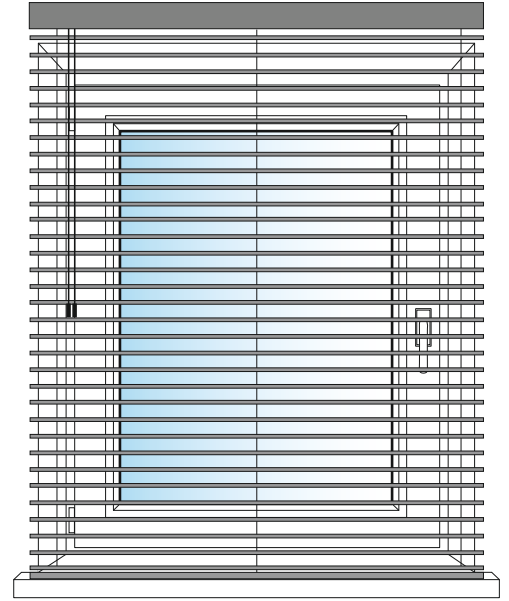
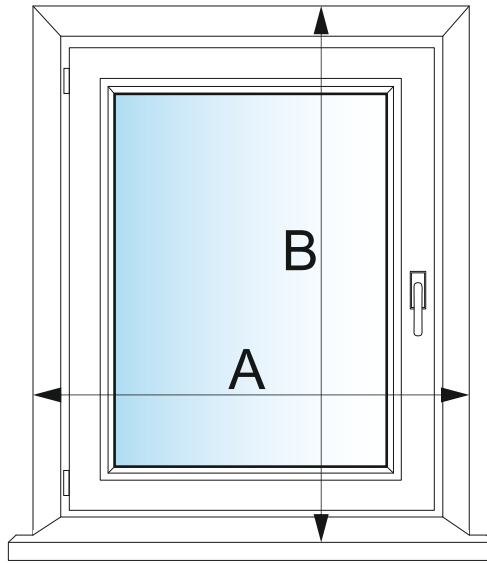
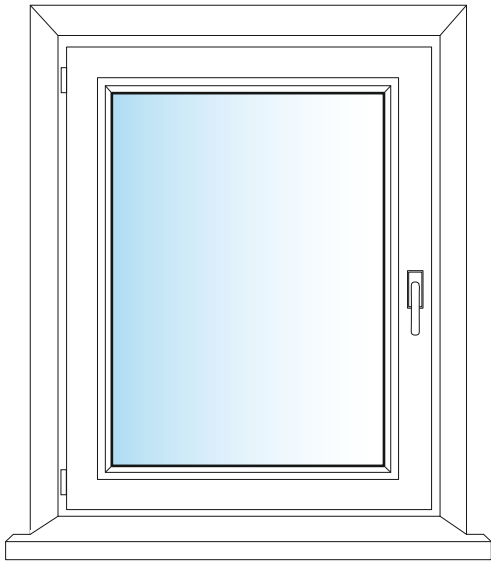
Dimensioning Instructions for 50 mm Aluminum blinds mounted to wall



Choose window

Measure

Install



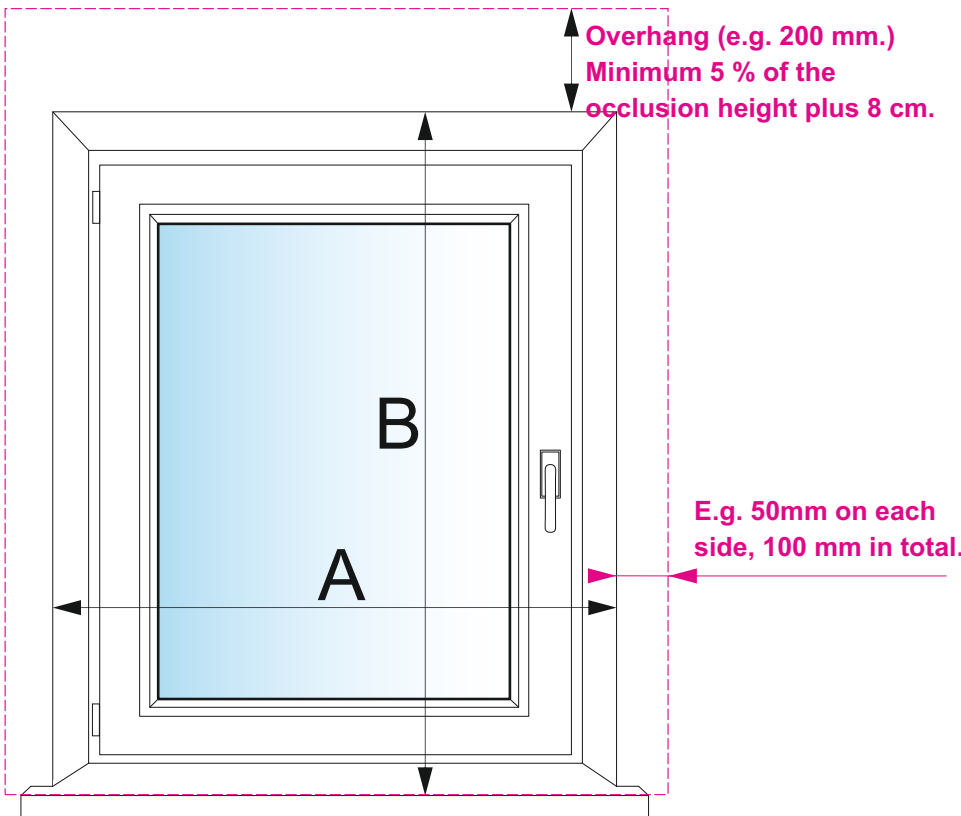
Dimensions are given in millimeters(mm).

You specify the width of the finished blind and the height of the entire blind.



Note that after the blind is lifted, the set of removed aluminum feathers will take about 5 % of its height plus 8 cm.

Fig. 1



Enter custom width add the allowance of the blind that is applied to the left and right sides at your personal discretion (e.g. 100 mm)

Example: A = 1250 mm

1250 + 100 = 1350 mm.

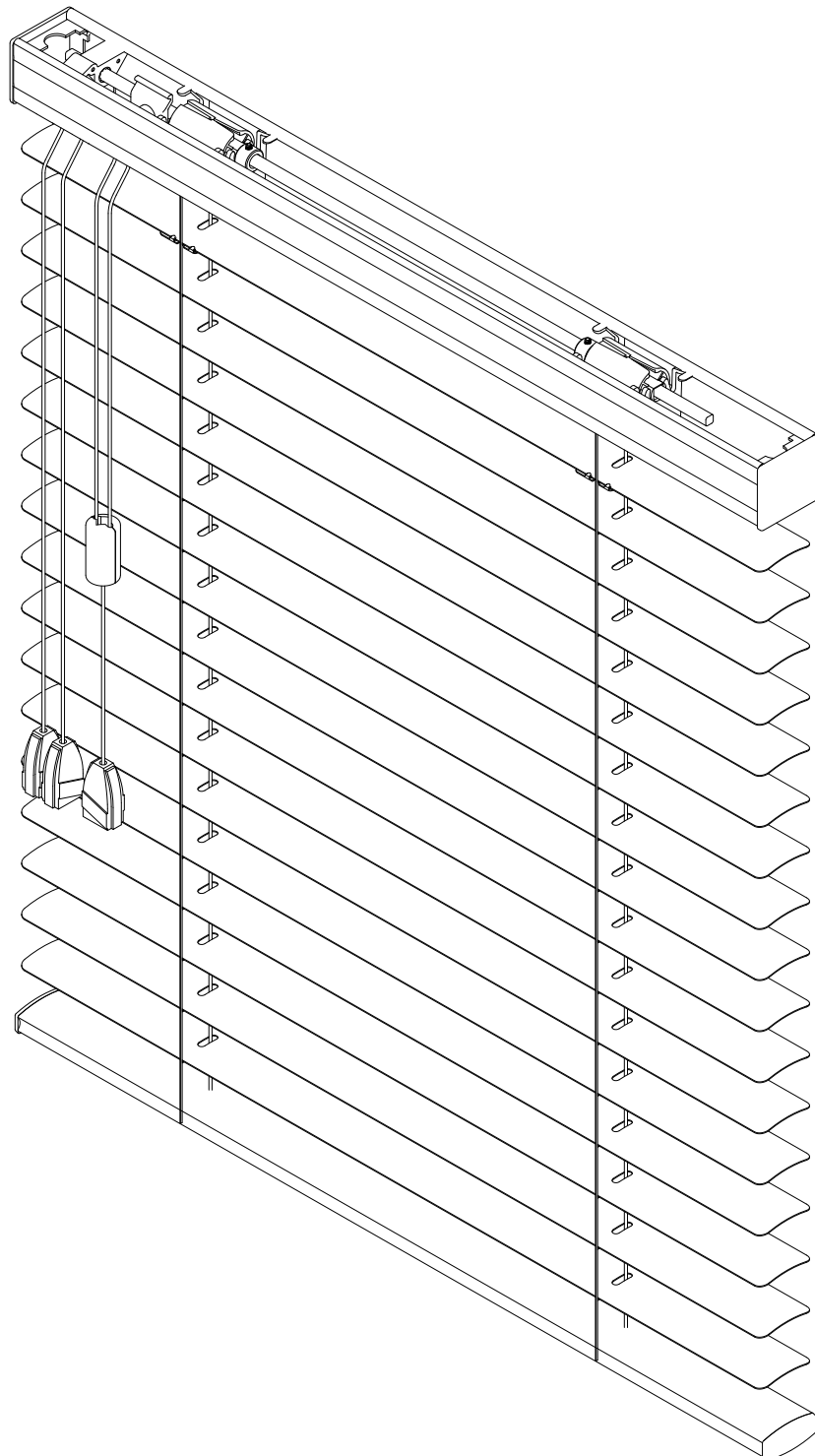
Specify the preset height, add the overhang depending on the height you want to mount the blind (e.g. 200 mm.)

A minimum of 5% of the height of the occlusion plus 8 cm.

Example: B = 1500 mm

1500 + 300 = 1800 mm.

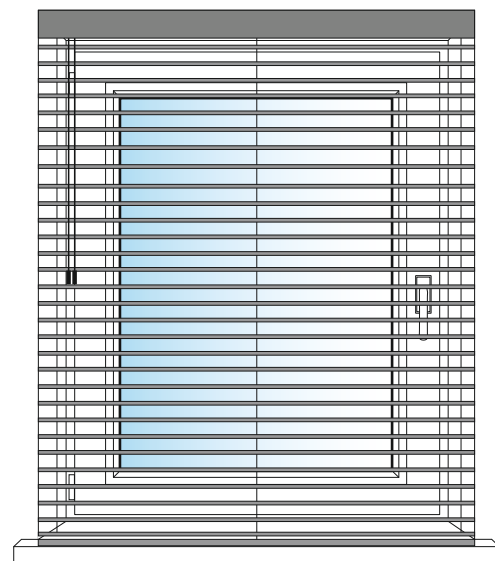
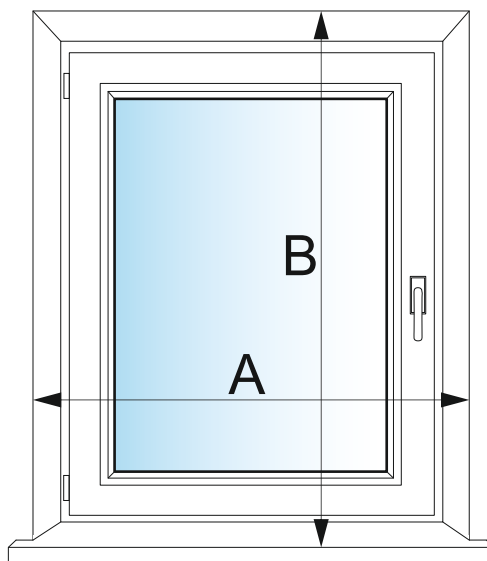
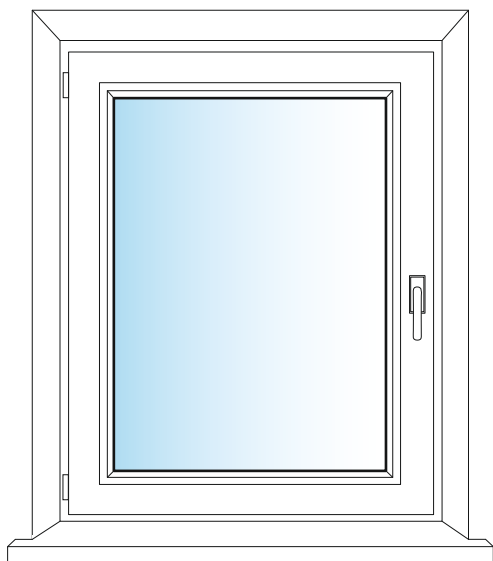
Dimensioning Instructions for 50 mm Aluminum blinds mounted in window recess



Choose window

Measure

Install



Dimensions are given in millimeters(mm).

You specify the width of the finished blind and the height of the entire blind.



Note that after the blind is lifted, the set of removed aluminum feathers will take about 5 % of its height plus 8 cm.

To obtain accurate measurements, measure the width of the window door at least 3 positions: On the top, in the middle, and on the bottom (A1, A2, A3). Figure 1

Measure the window recess at the highest point in Figure 1.

Enter the minimum value obtained from measurements A1, A2, A3 in the configurator, less **10 mm**.

Example: A = 1250 mm

1250 - 10 = 1240 mm.

Enter the obtained value in the configurator by entering the desired height from the B measurements minus **3 mm**.

Example: B = 1500 mm

1500 - 3 = 1497 mm.

Fig. 1

