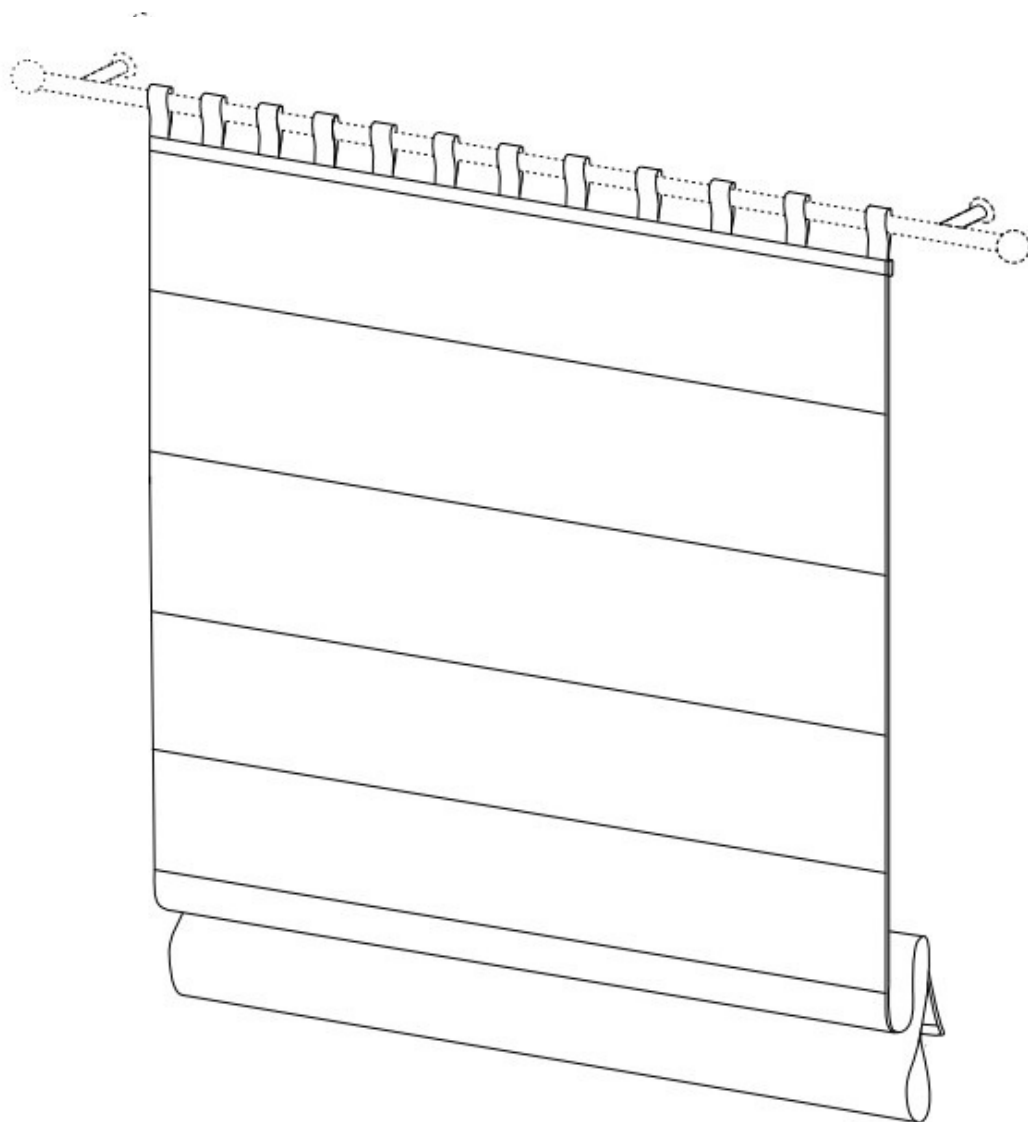
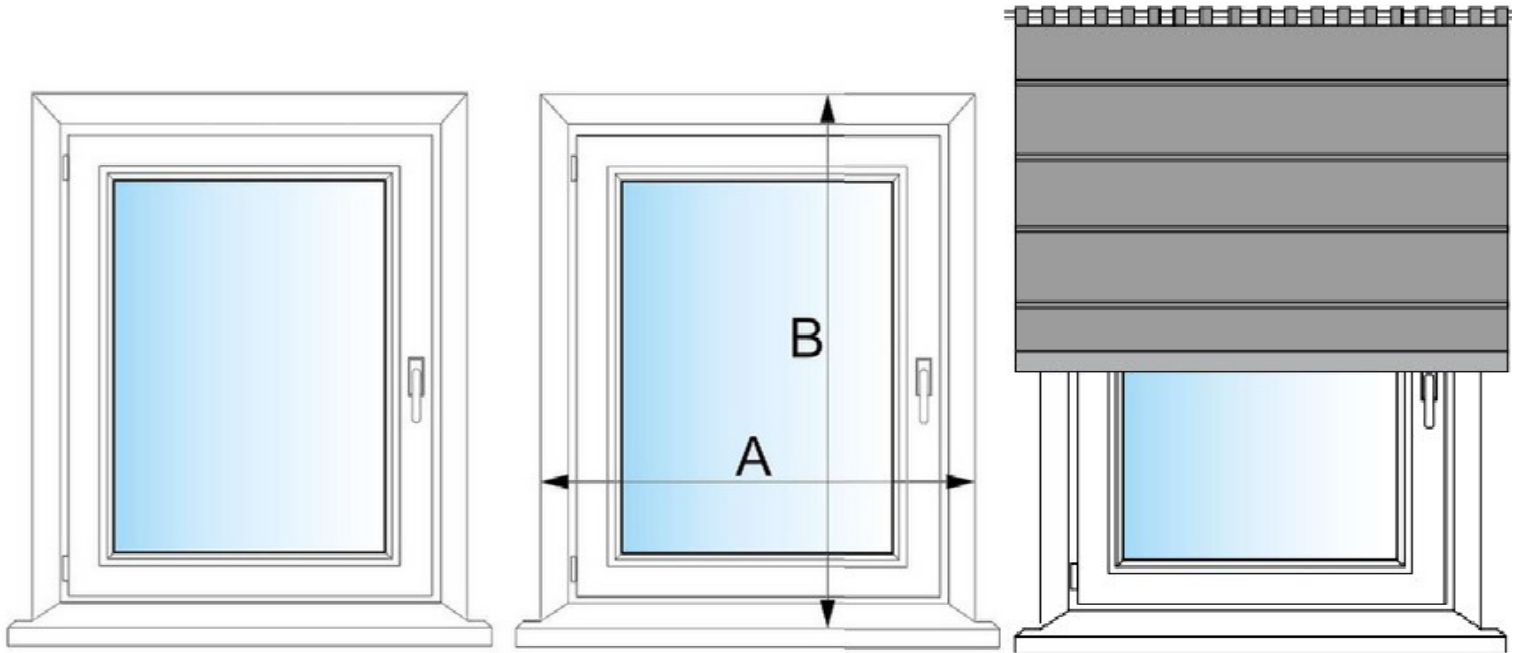


Measuring instruction for Tab Top Roman blinds on the customer's curtain rod.





Dimensions are given in millimeters (mm).

You specify the width of the blind and the height of the entire blind with suspenders

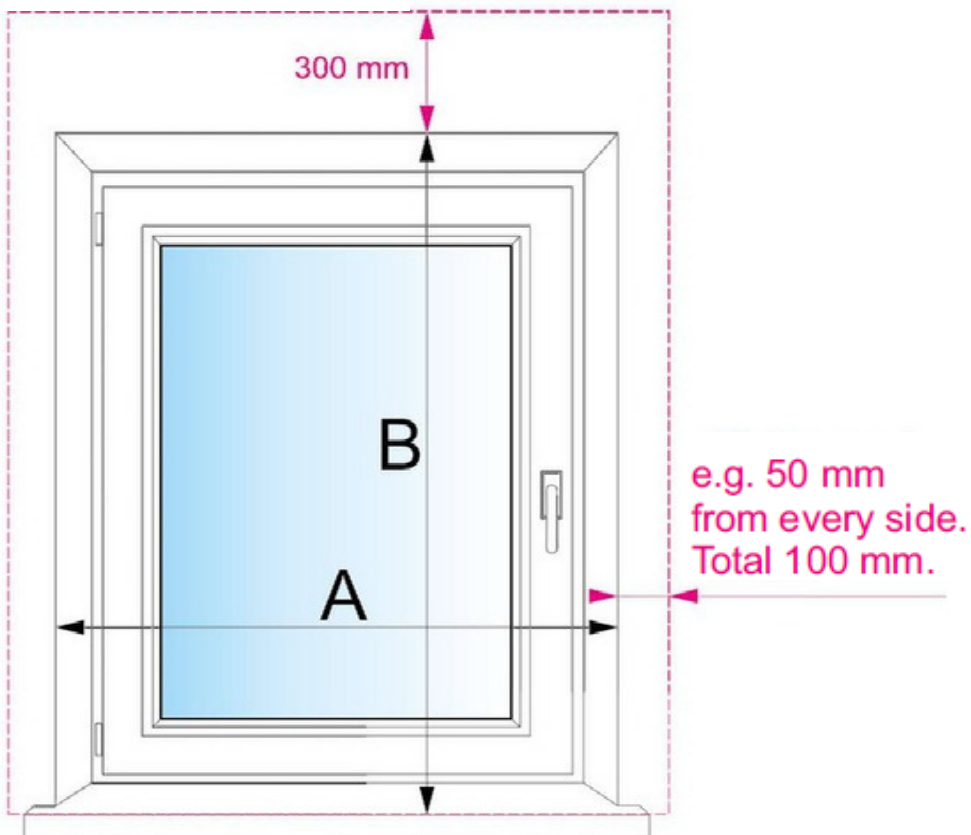
Keep in mind that the folded roller blind takes up about 300mm (30cm)

Horizontal stitching is spaced about 20-25 cm from the top

Your curtain rod should only be mounted on two brackets. One on the left side of the blind and the other on the right side



Fig. 1



Measure the width and height of window recess Fig. 1

Enter the desired width, add the surplus of a fabric verlapping the wall on the right and left at your preference.

(e.g. 100mm)

Example: A = 1250 mm
 $1250 + 100 = 1350$ mm.

Specifying the desired height, add surplus depending on the height at which you want to mount the blind. (e.g. 300 mm.). Keep in mind that the folds of the blind are around 300 mm (30 cm).

Example: B = 1500 mm
 $1500 + 300 = 1800$ mm.