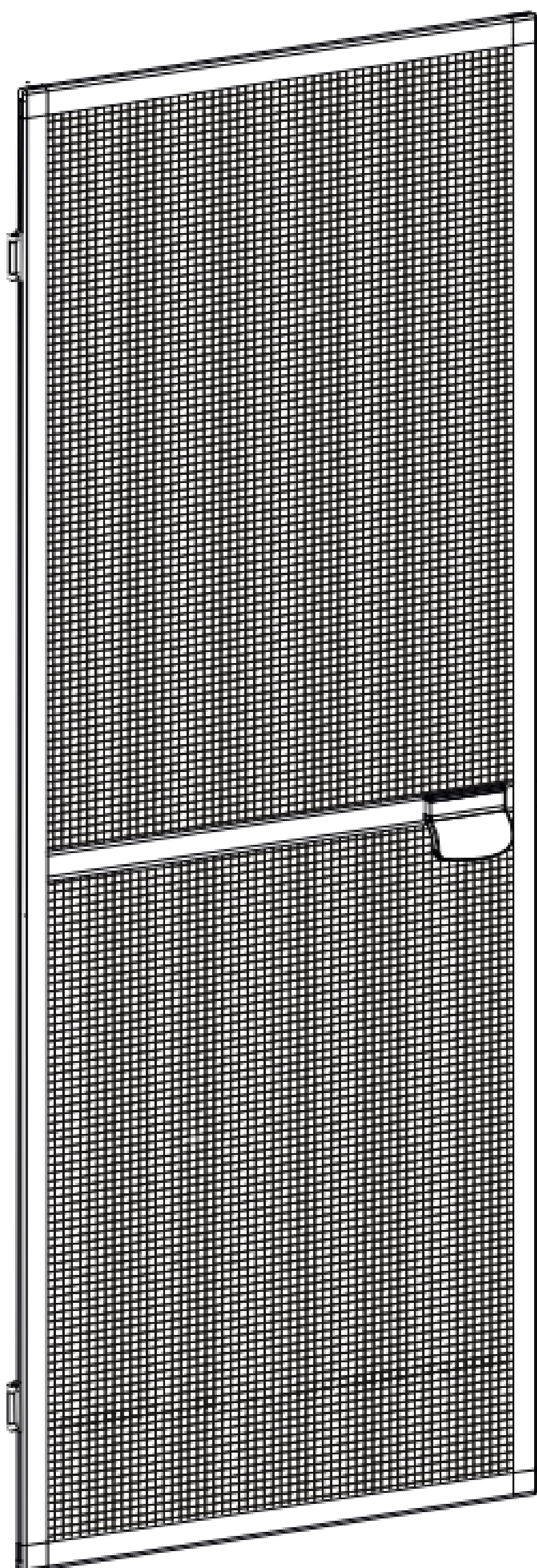


Measurement instructions for door mosquito net.  
Mounted to the window frame, screw-on version.

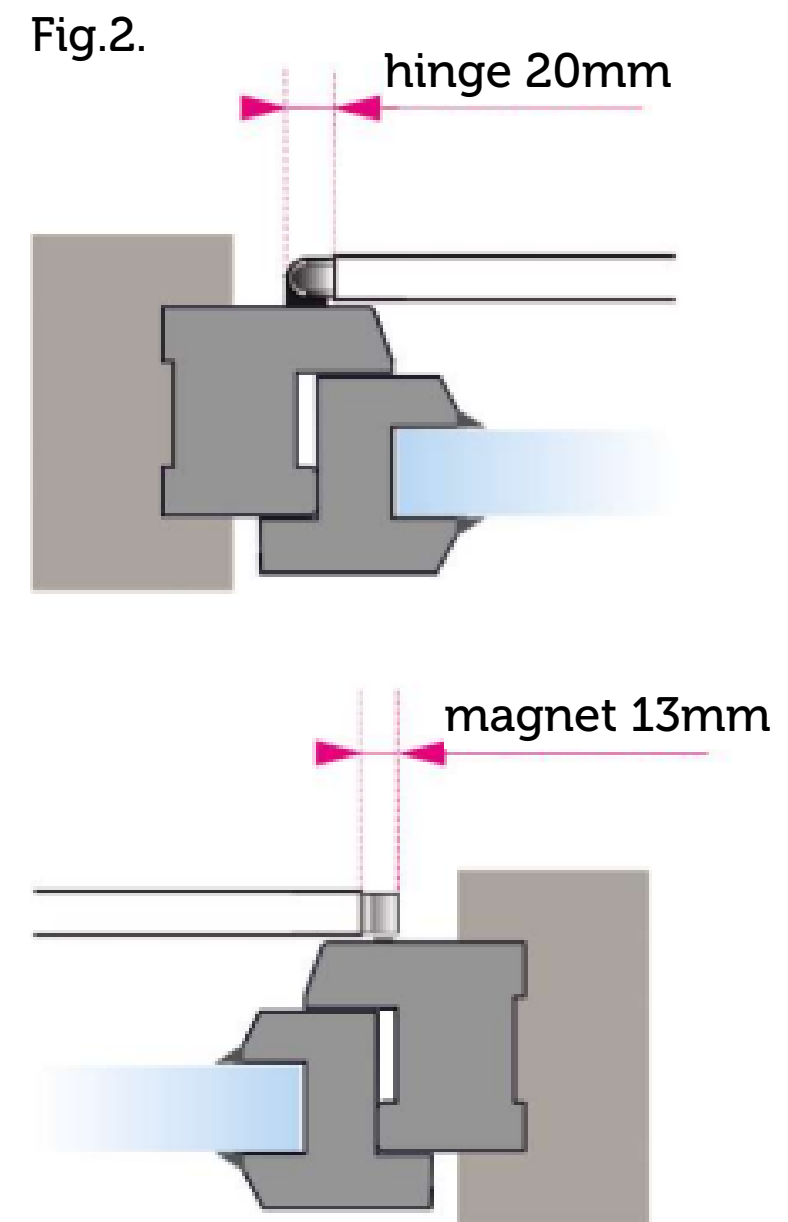
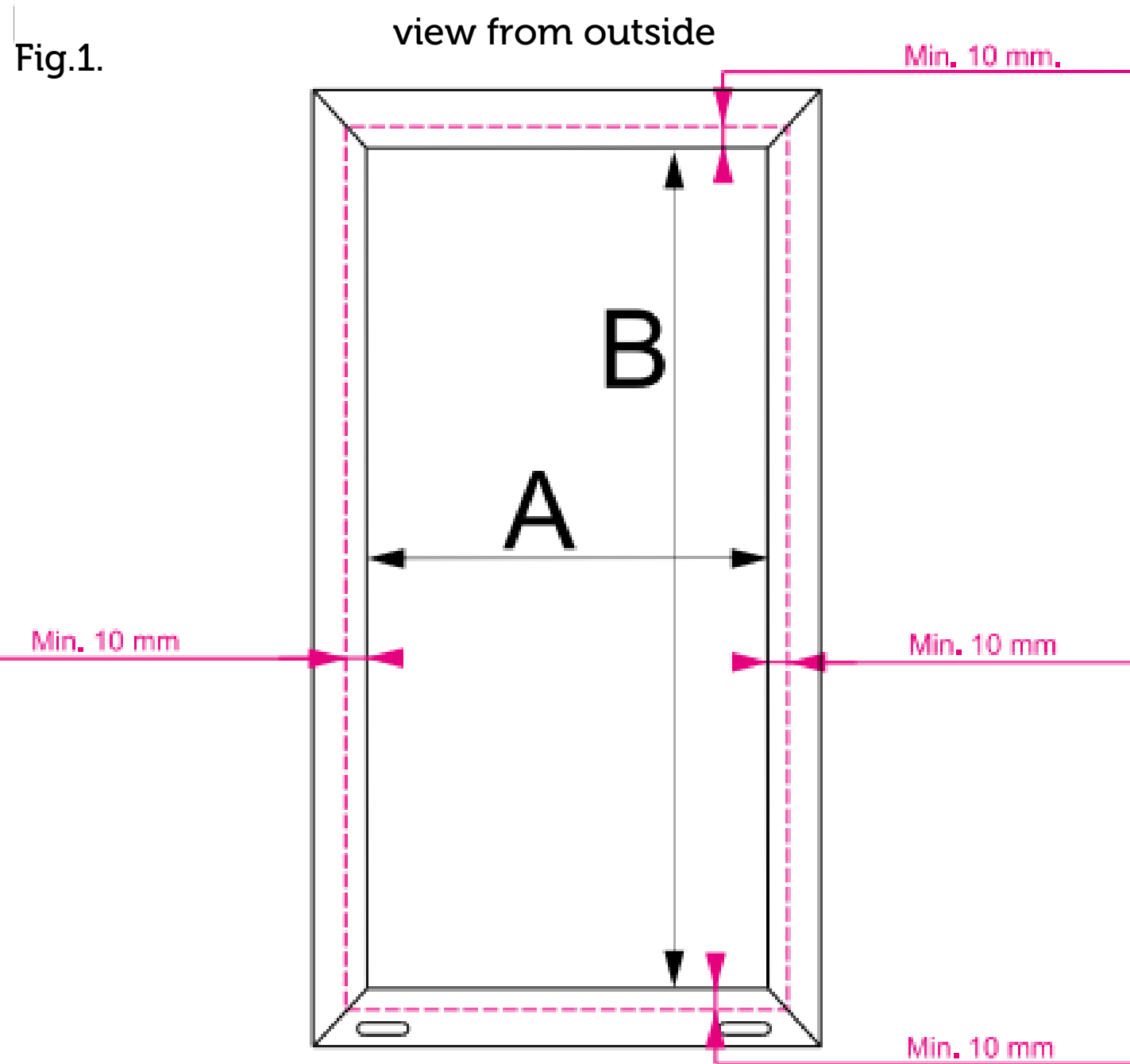




Dimensions are given in millimeters (mm).

The width of the order is the width of the door, but you must take into account that on one side there will be hinges, which have a dimension of 20mm, and on the other side there will be a magnet, which has a dimension of 13mm. Fig.2.

The order height is the height of the door.



## Important notice!

The mosquito net should overlap the frame by at least 10mm on each side. Check that you will have space on the left and right sides for the hinges and magnet.

Check that no handles or window parts protrude beyond the window frame of your window. They may make it impossible to install.

Measure the width and height of the inner edges of the window frame. Fig. 1.

When specifying the desired width, add min. 10mm on the left and on the right min. 10mm. **Total 20mm.**

When specifying the desired height, add min. 10mm on top and at the bottom min. 10mm. **Total 20mm.**

Example: A= 800 mm  
 $800+20 = 820$  mm.

Example: B= 2000 mm  
 $2000+20 = 2020$  mm.