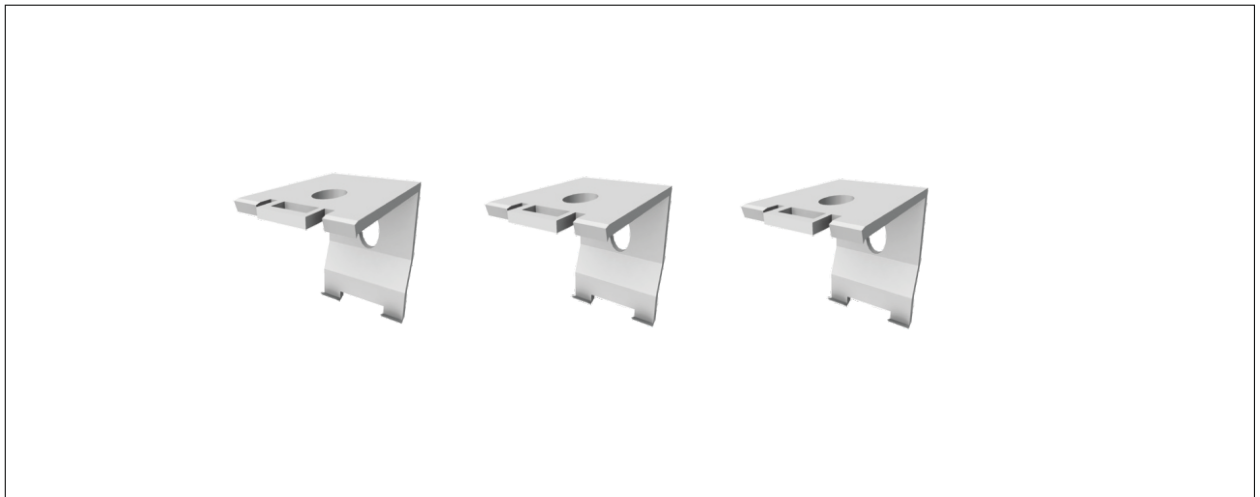


## Installation instructions for Basic Roman blinds mounted to the wall or ceiling.

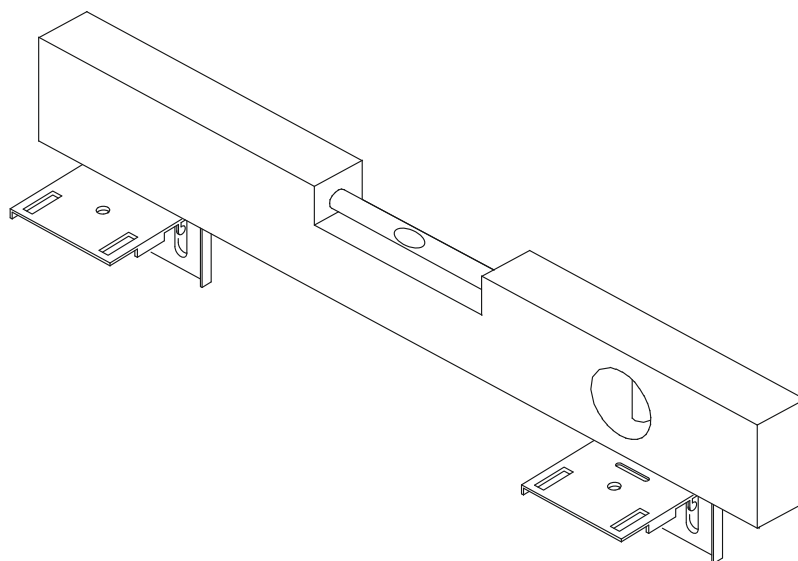


The following mounting hangers are supplied with the fabric roller blind. Their number depends on the width of the Roman blind.

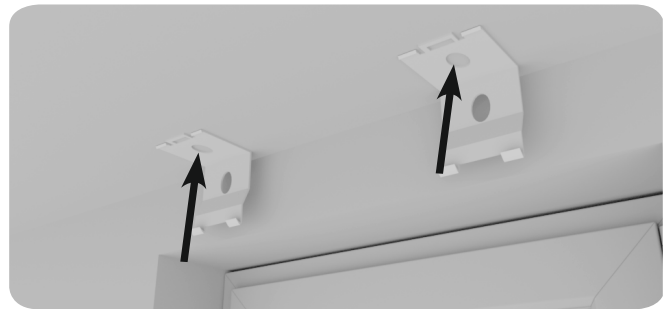
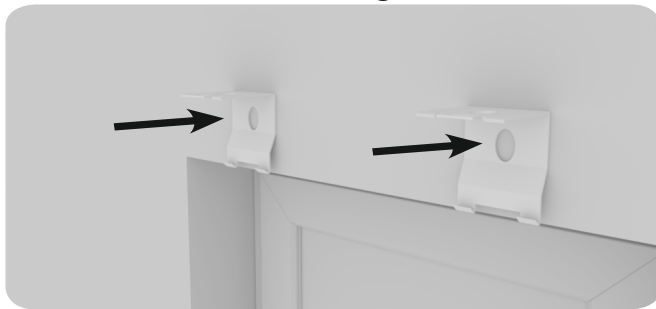
A minimum of 2 pieces, a maximum of 5 pieces. We do not provide the mounting pins. The type of pins depends on the material the walls are built of. The customer decides which pins to use.



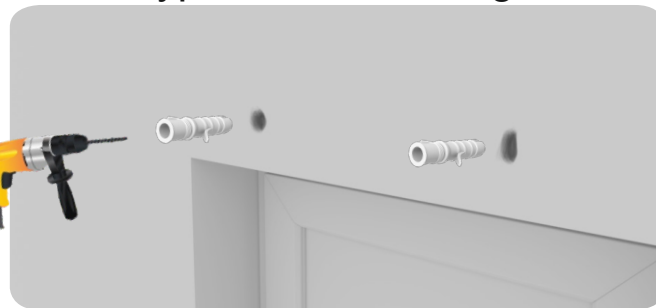
The roller blind must be mounted perfectly horizontal for it to work properly.



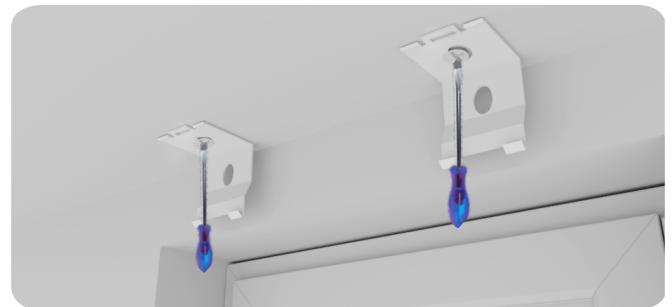
**Stage I**  
Mark the drilling location.



**Stage II**  
Drill holes, install dowels in accordance with the requirements for the type of wall / ceiling.



**Stage III**  
Screw the mounting hangers.



**Stage IV**  
Mount the blind in bolted mounting hangers.

