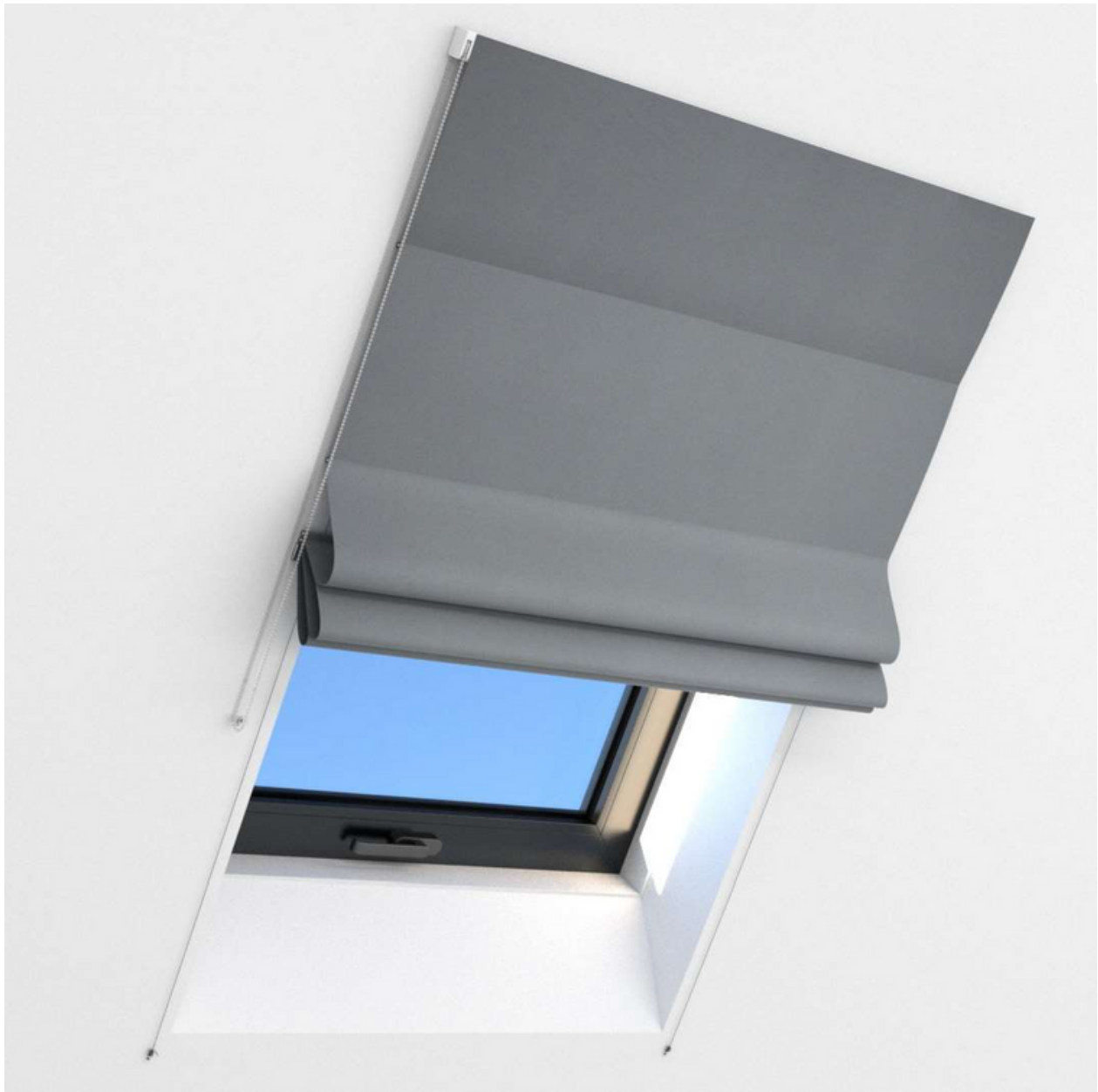


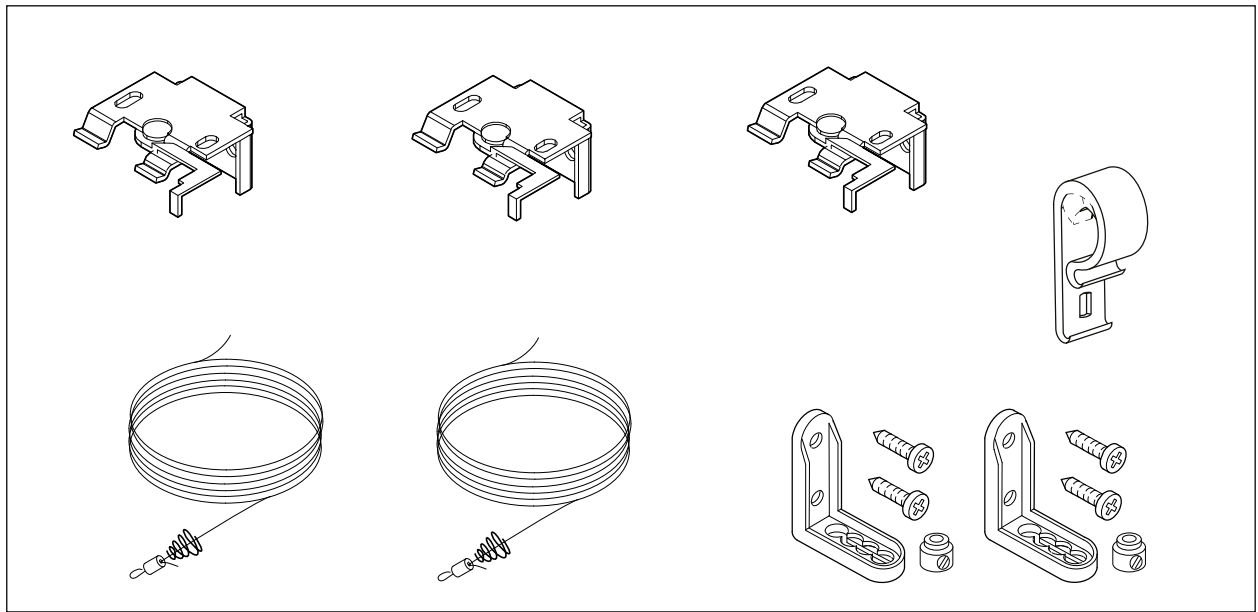
Installation instruction of Roman blind for skylight windows.

Mounting to the wall in front of the attic recess.



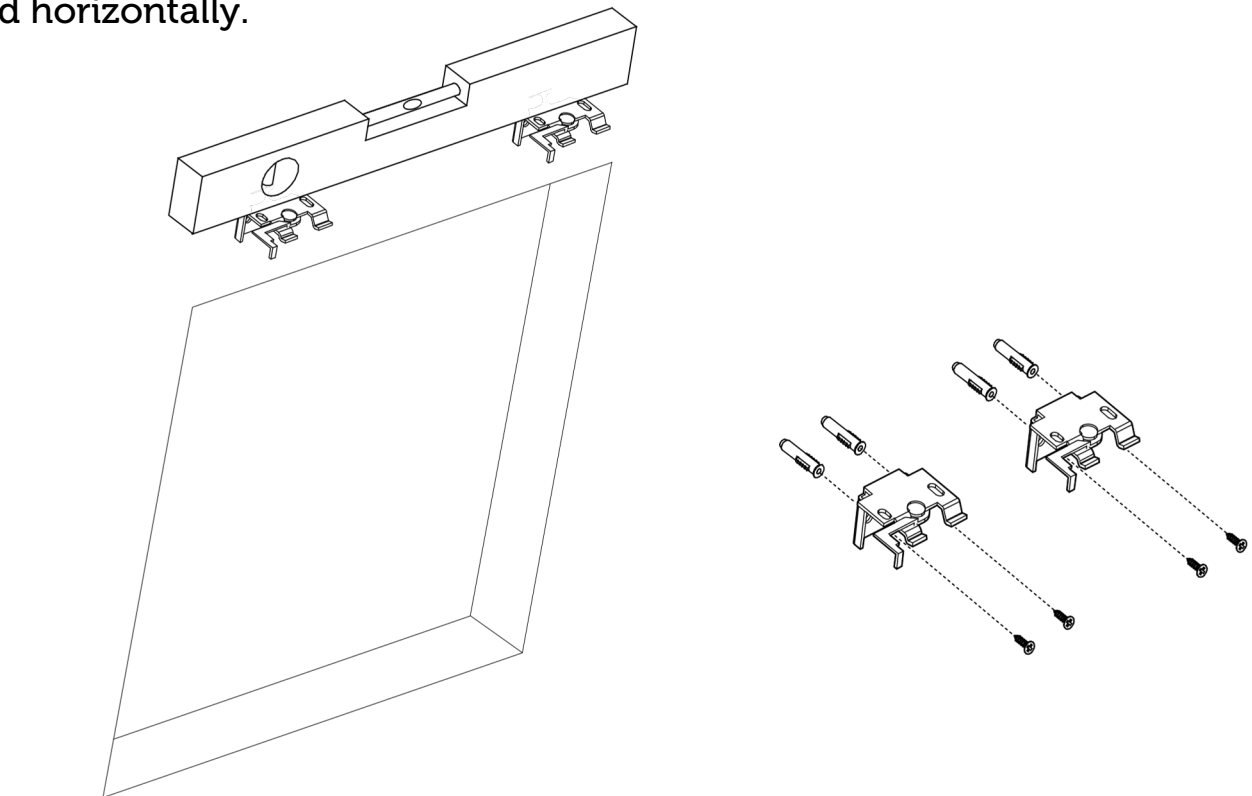
The following mounting brackets are supplied with the roller blind. Their number depends on the width of the roller blind. Minimum 2 pcs, maximum 4 pcs.

Mounting pegs are not included in the set, as their choice is up to the customer and depends on the material from which the building walls are made. The set also includes 2 steel cords with springs, 2 angle brackets with accessories and 1 chain anchor.



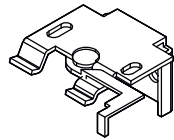
Step I

Install mounting brackets. To ensure the proper functioning it must be installed horizontally.

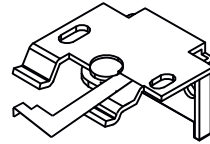


Step II

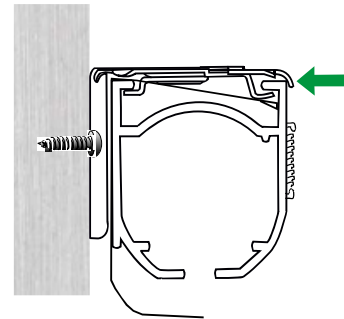
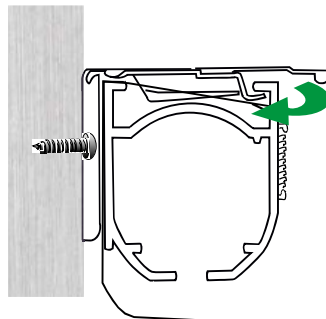
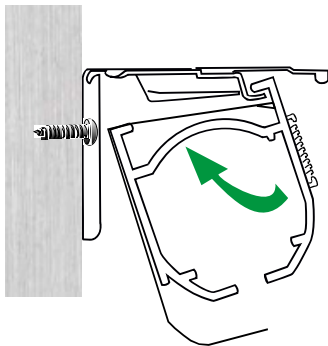
Click-in the rail of the blind into the brackets as shown below. The hangers have a lever with which the blind rail is fastened. The lever must be open before installation.



Hanger with closed lever



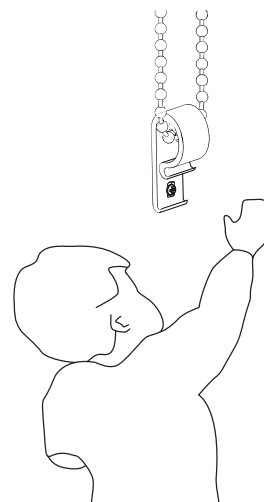
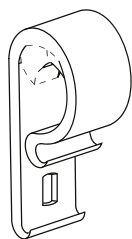
Hanger with open lever



Step III

The set includes beaded chain tensioner.

The law states that this element must be fixed to the wall and the chain is to move along it as shown below. The aim is for young children not to come into contact with the beaded chains.

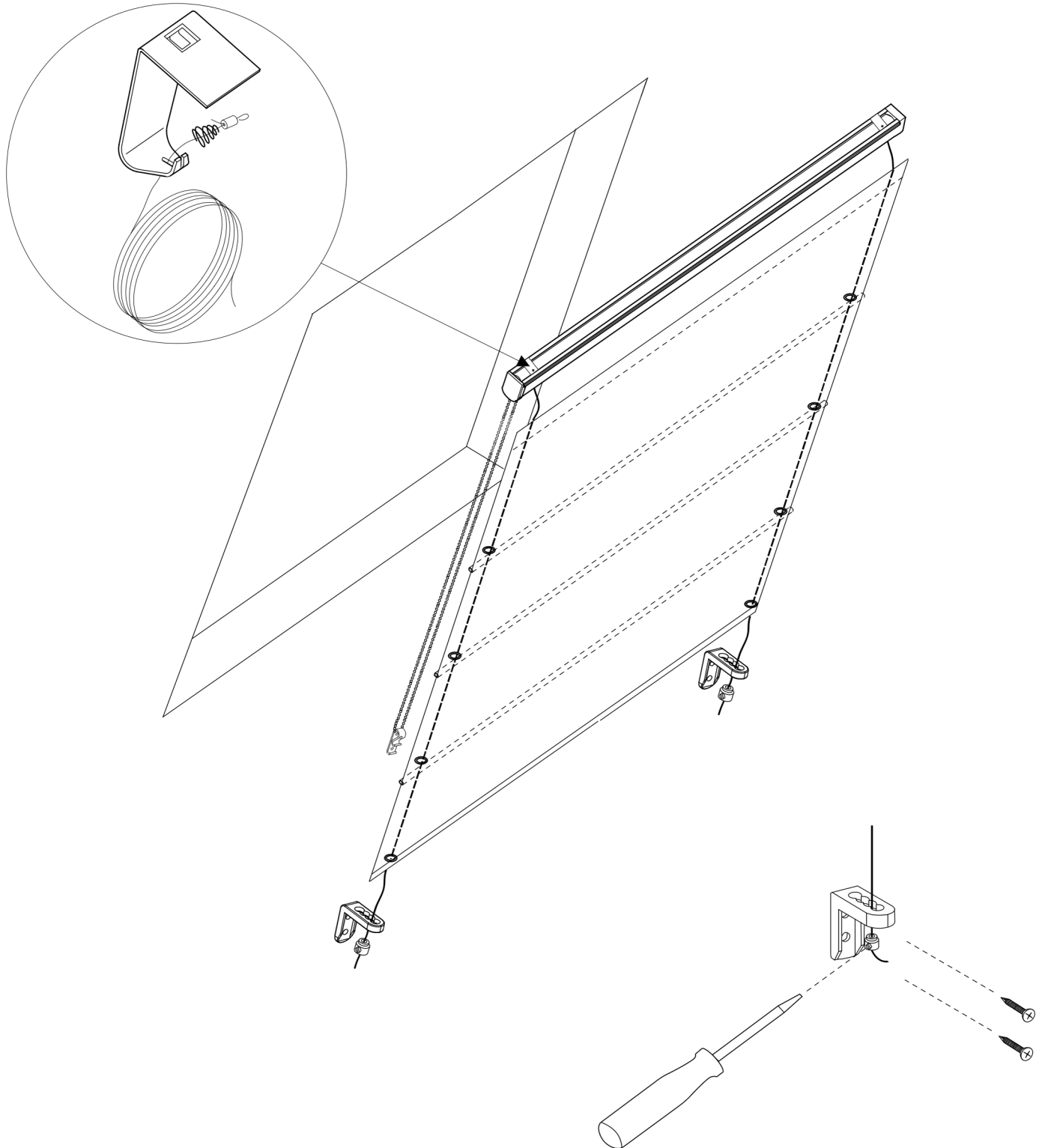


Step IV

Installation of steel cords to guide the fabric.

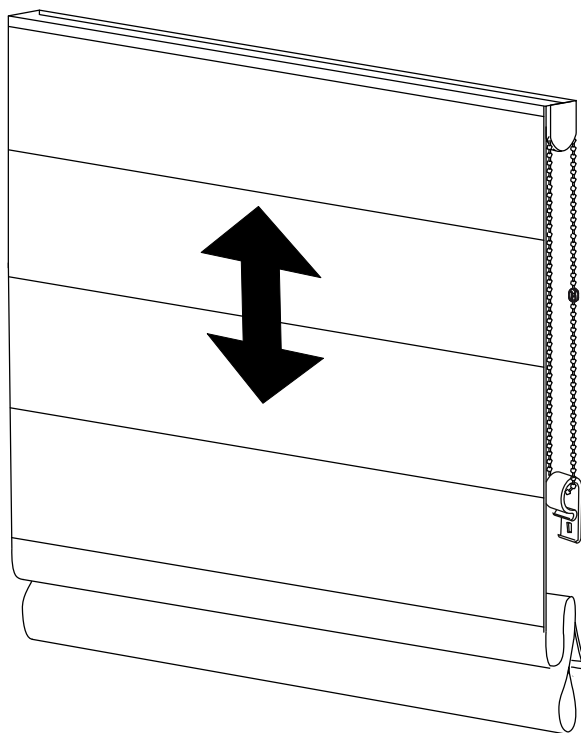
At a distance of 3 cm from the left and right side of the blind, circles are sewn on the back, through which the steel cord needs to be passed.

First place the wire cable on the bracket in the mechanism as shown below, with the spring upwards, then thread it through the hoops and clamp it in the bracket mounted below the roller blind.



Step V

Check correct operation of the blind.



To wash a roller blind you need to:

Unhook the blind rail from the hangers and unroll it to its full height, untie the strings and pull out the horizontal stiffeners, the bottom weight and detach the fabric from the rail.

After hand washing and ironing:

Place the fabric on the rails, insert the horizontal stiffeners, thread the strings through the hoops, align the cords and tie off the bottom. Re-install the blind onto the hangers.

Our good advice.

Take a picture of the interlacing of the strings before you start to untie the blind.

This will help you to thread the cords correctly after washing.



WARNING

Young children can be strangled by the loops formed by cords, chains and pull-straps operating the window coverings. They can also wrap the cord around their neck. To avoid looping and entanglement, keep cords out of the reach of young children. Move beds, cots and furniture away from window curtain cords.