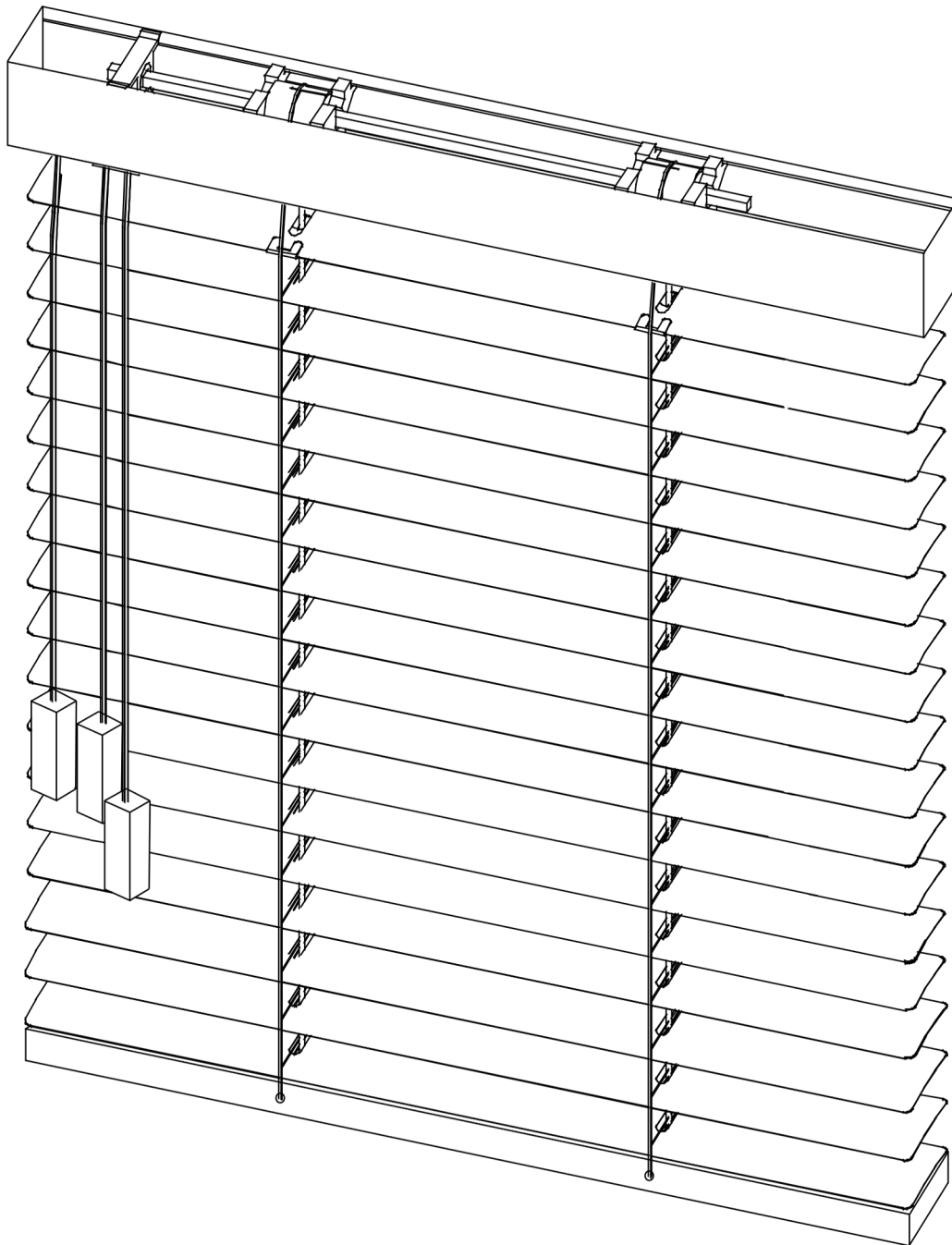
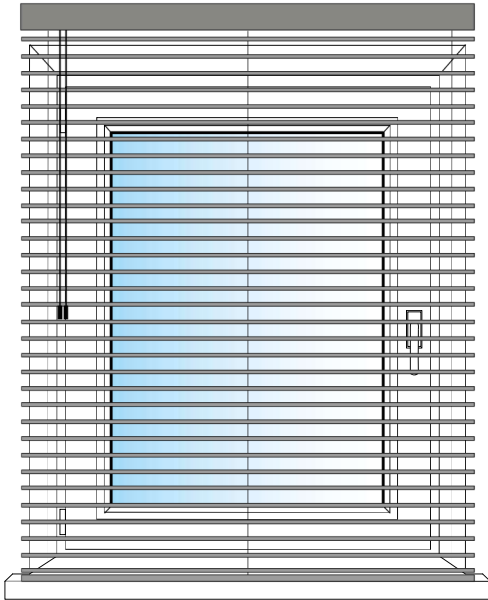


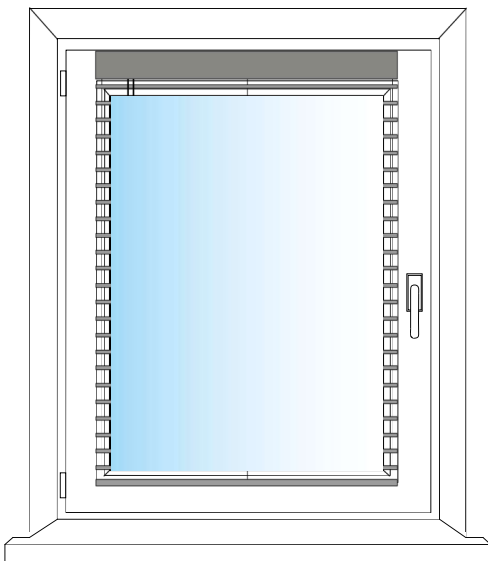
Installation instruction for wooden blinds 50mm.



Depending on the type of installation you have chosen, there are 2 ways to install 50mm wooden blinds.



**Mounting on the wall
or ceiling**



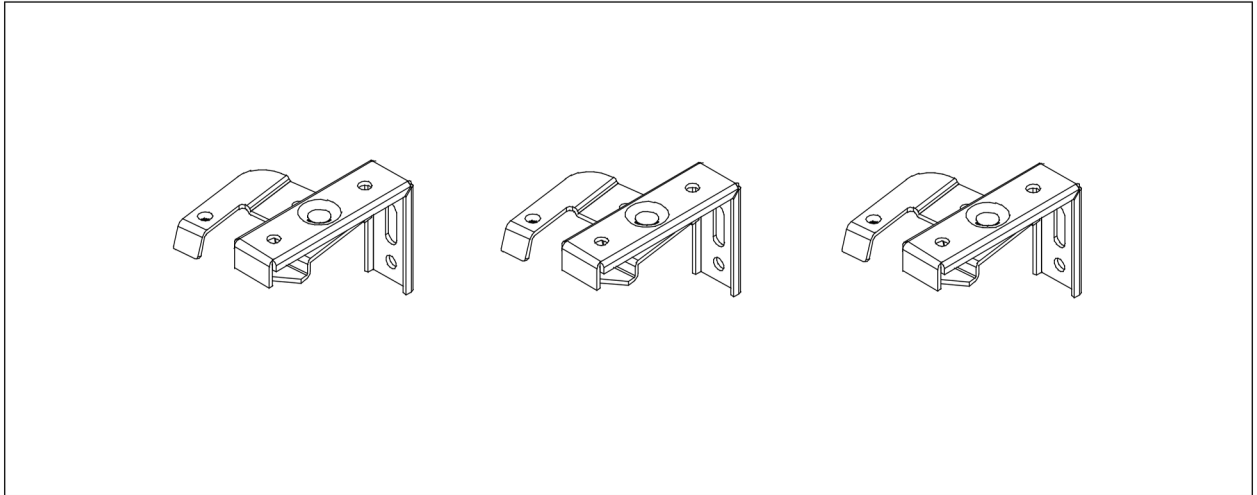
**Mounting on the window,
on window frame**

The following mounting hangers are supplied with the wooden blind.

Their number depends on the width of the wooden blind.

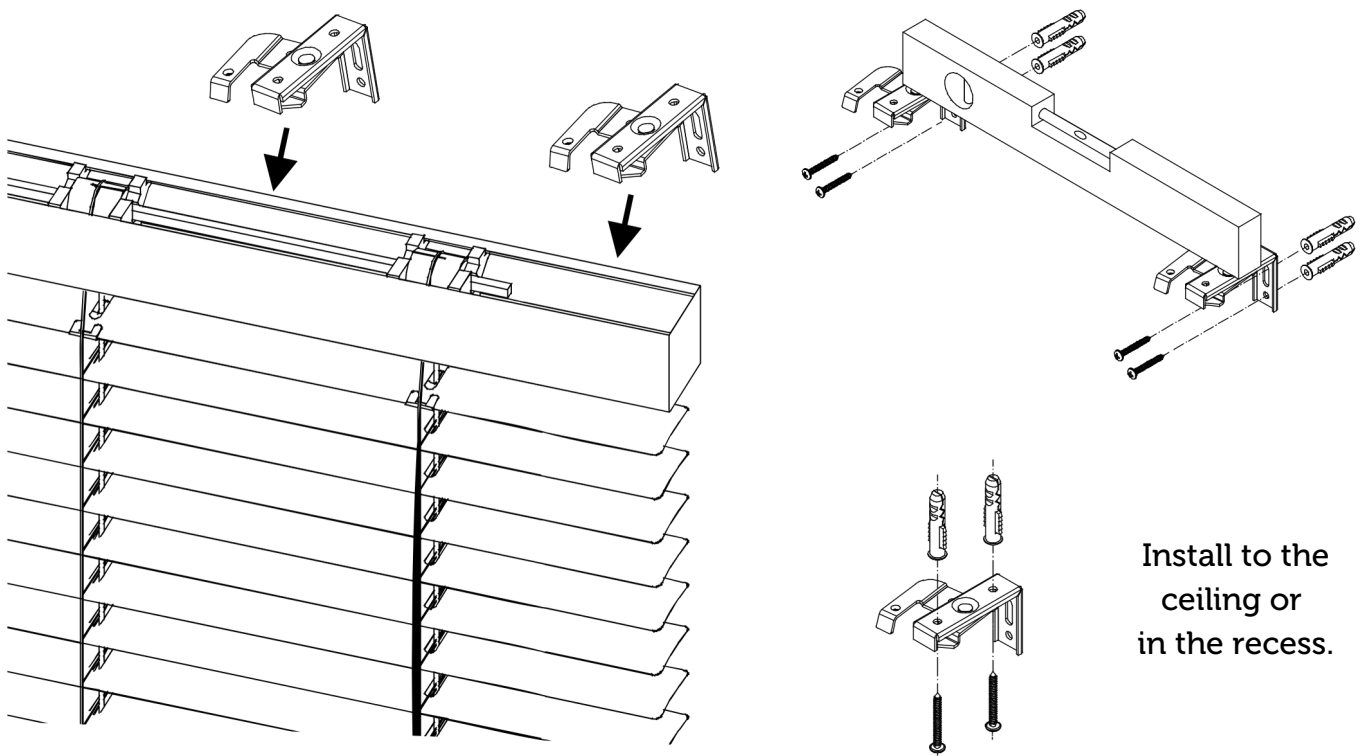
Minimum 2 pcs. maximum 5 pcs.

The kit does not include assembly pegs or screws, as the choice of these is up to the customer and depends on the material from which the building walls or window frames are made.



Step I

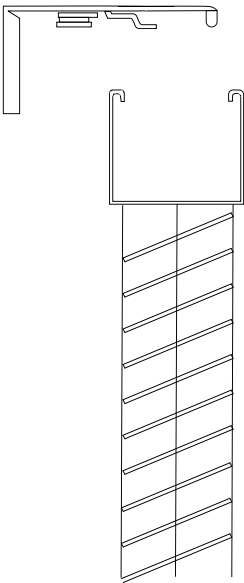
Install the mounting brackets in such a way that they do not interfere with the components inside the gutter. The wooden blind must be mounted horizontally for it to work correctly.



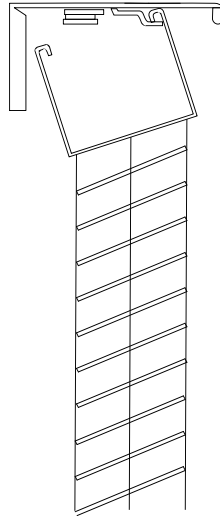
Step II

Attach the blind to the mounted brackets. See the following 3 pictures showing the way of how the blind is attached to the hangers. The last step is to click the hanger lever.

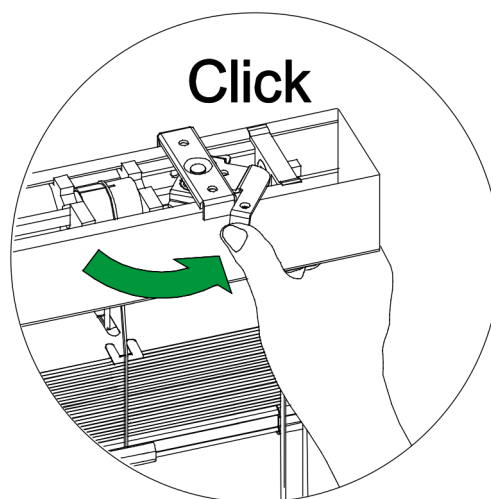
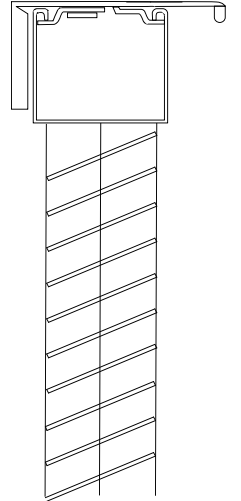
1



2

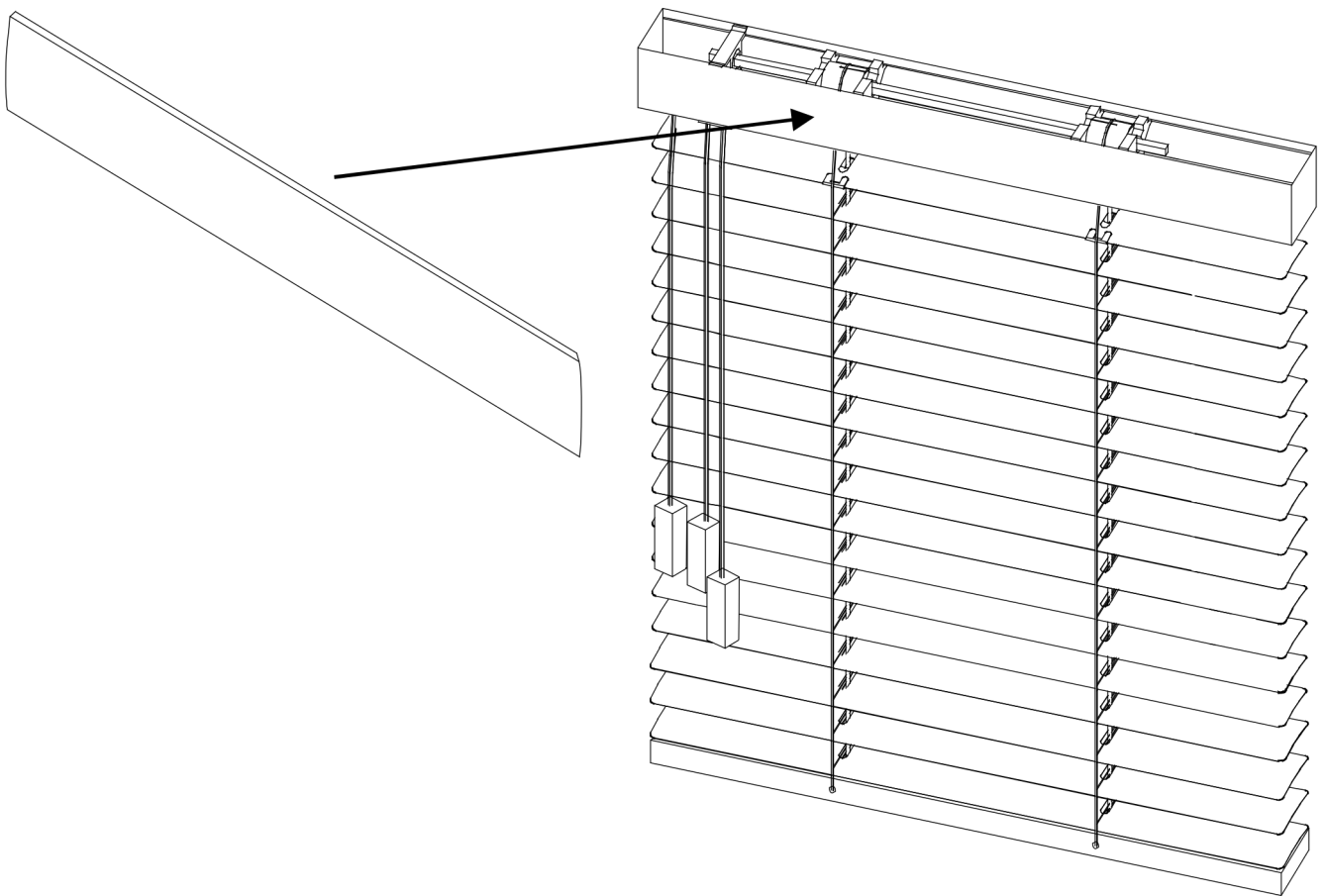


3



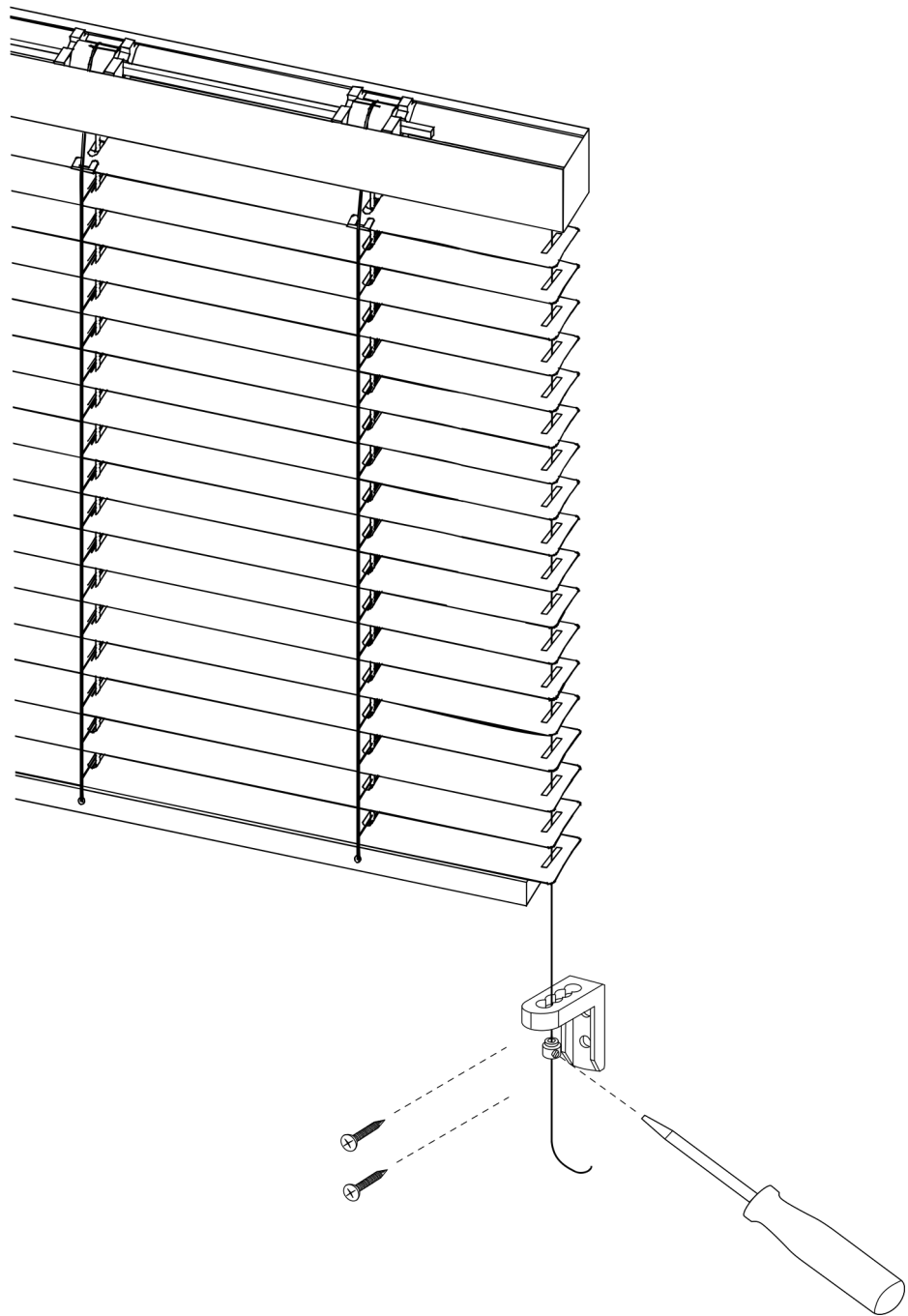
Step III

Place the masking panel on the gutter of the wooden blind.
It is equipped with Velcro which sticks to the gutter.



Step IV OPTION

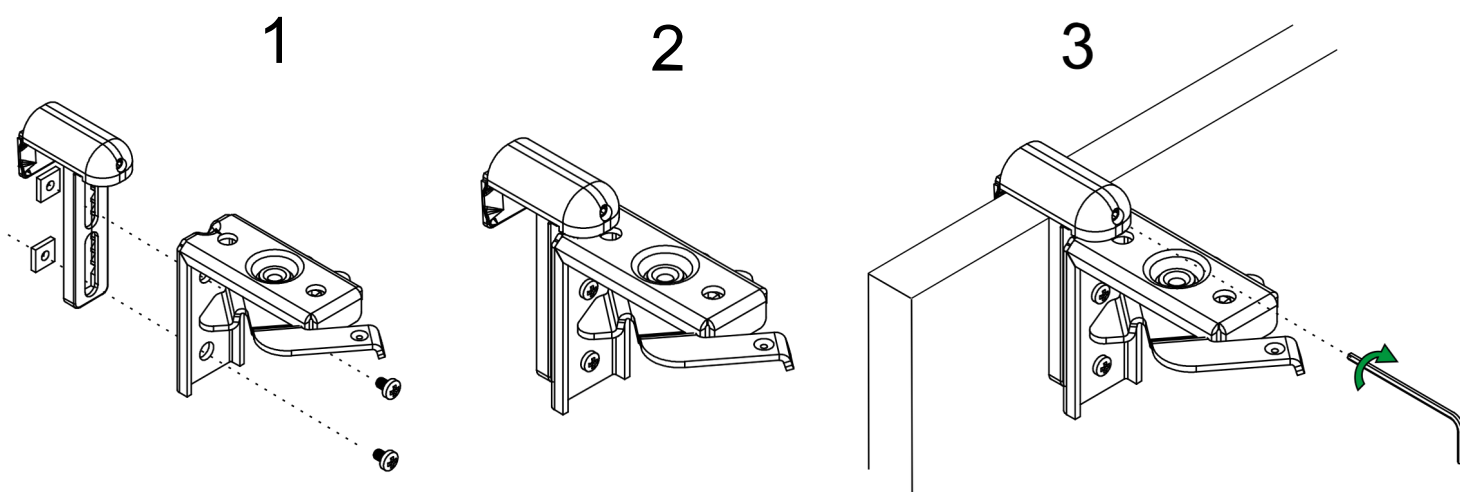
If cord side guidance was selected, additional accessories were added. The illustrations below show the method of installation. After installation, cut off the excess cords.



Step V OPTION

If non-invasive installation or non-invasive installation with side guidance is selected, additional accessories are included. The illustrations below show the method of installation.

Non-invasive bracket for installation on the frame



Non-invasive bottom bracket for side guidance

