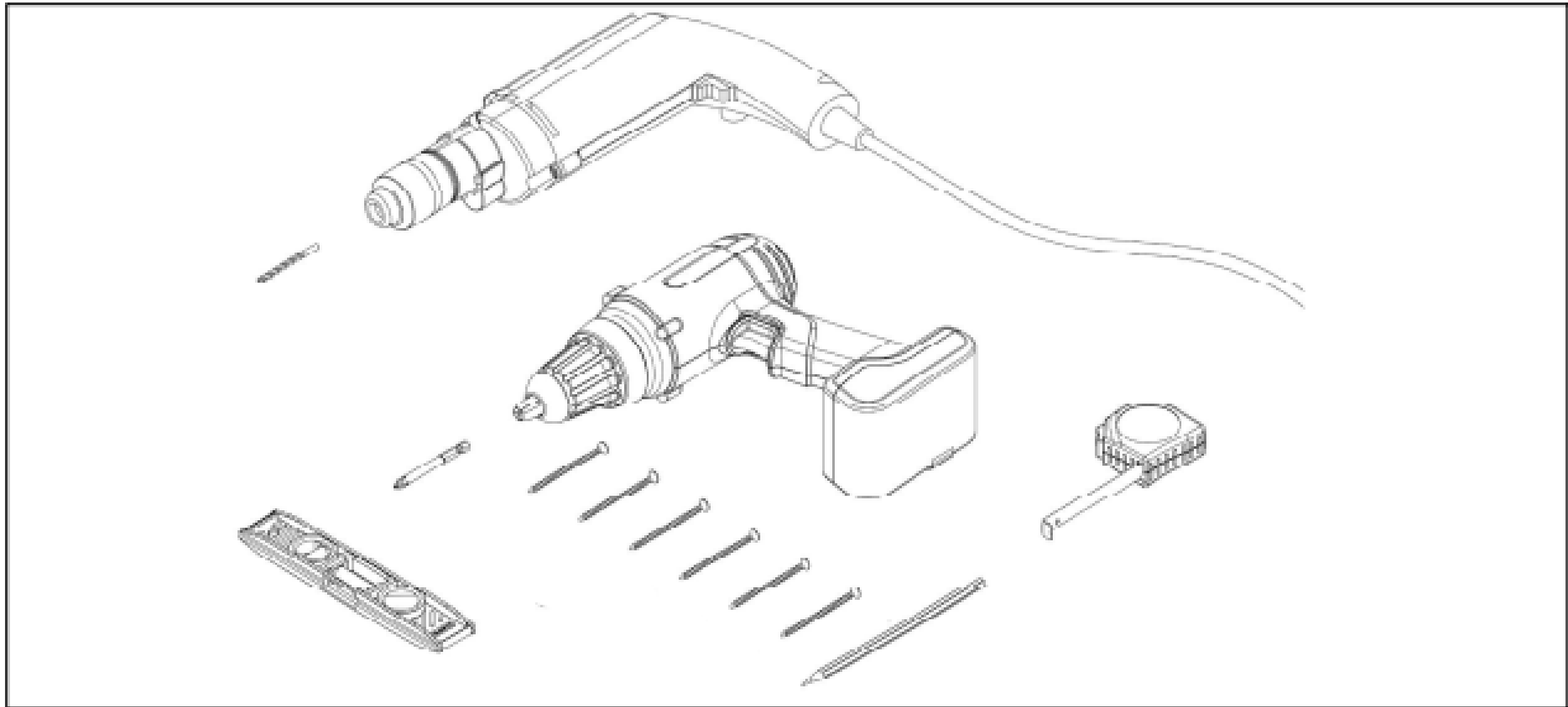


Installation instructions for rolled mosquito net for window.
Mounted to the window frame, from external side.

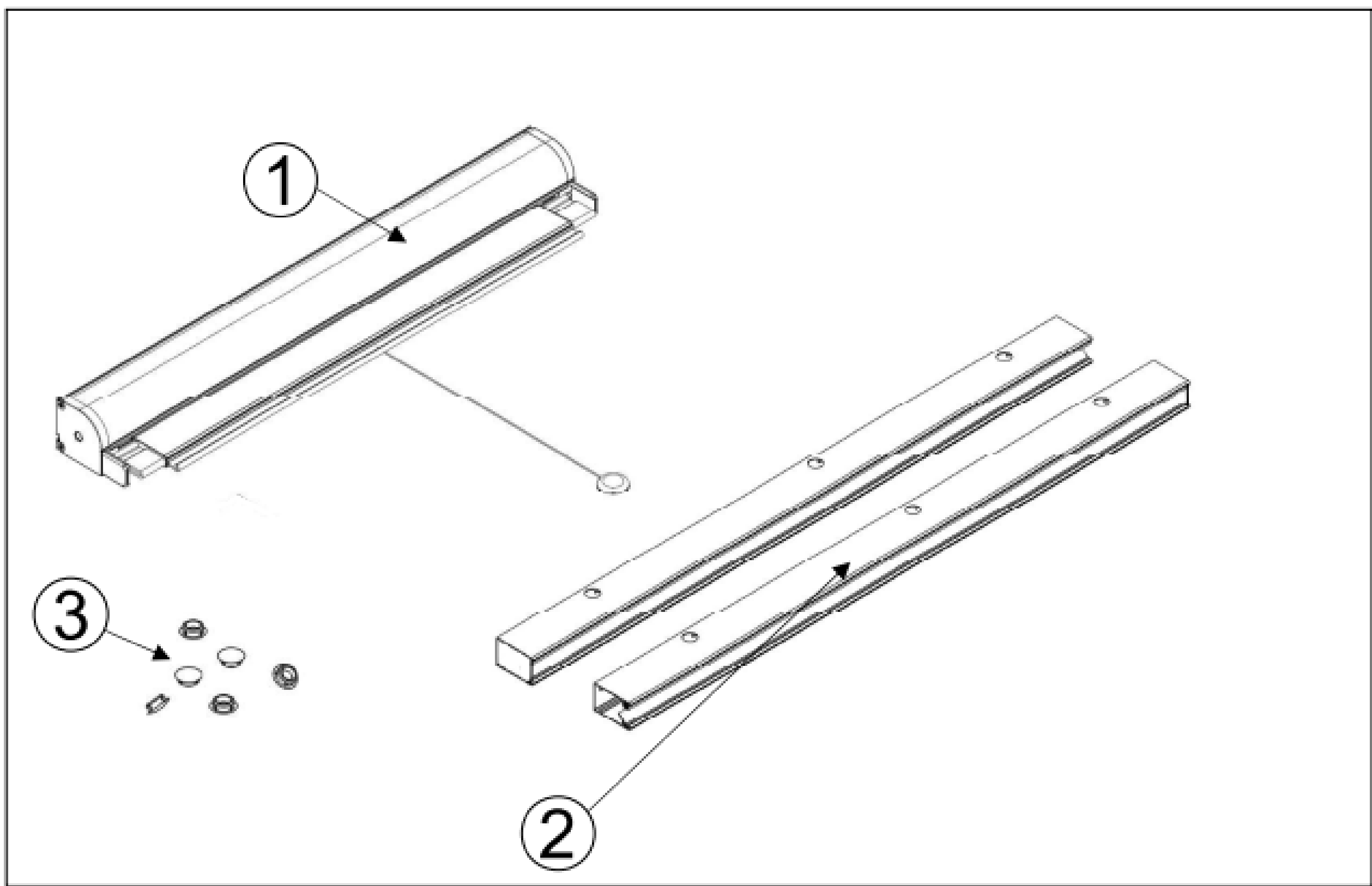


The tools and screws shown in the figure will be required for installation. The kit does not contain any screws, because the selection is customer-specific and depends on the material used for the window joinery.



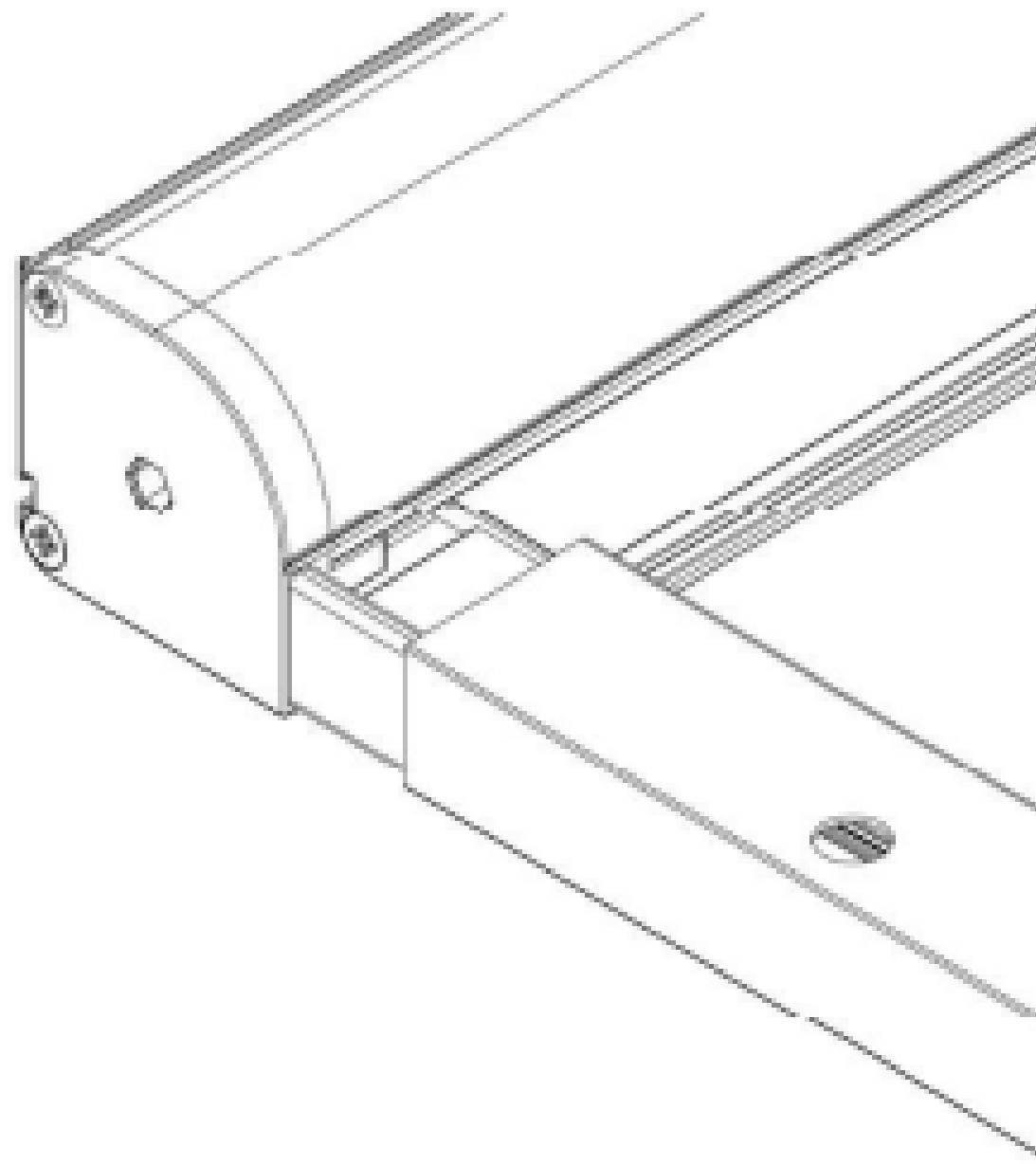
This pack contains:

1. Blind with mosquito net
2. Side guides
3. Plugs



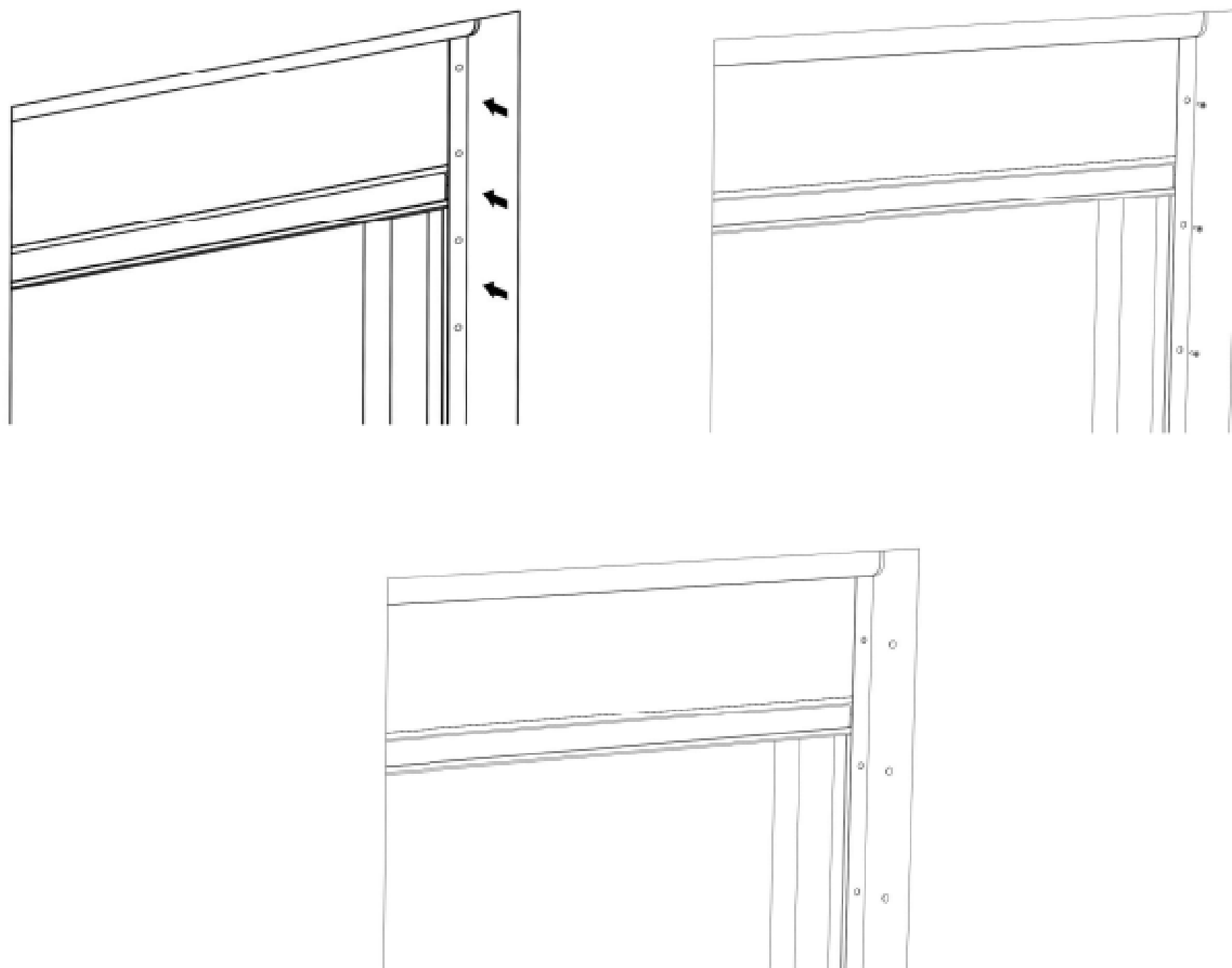
Step I

Push the side guides on the left and right onto the blind pin as shown below on the figure.



Step II

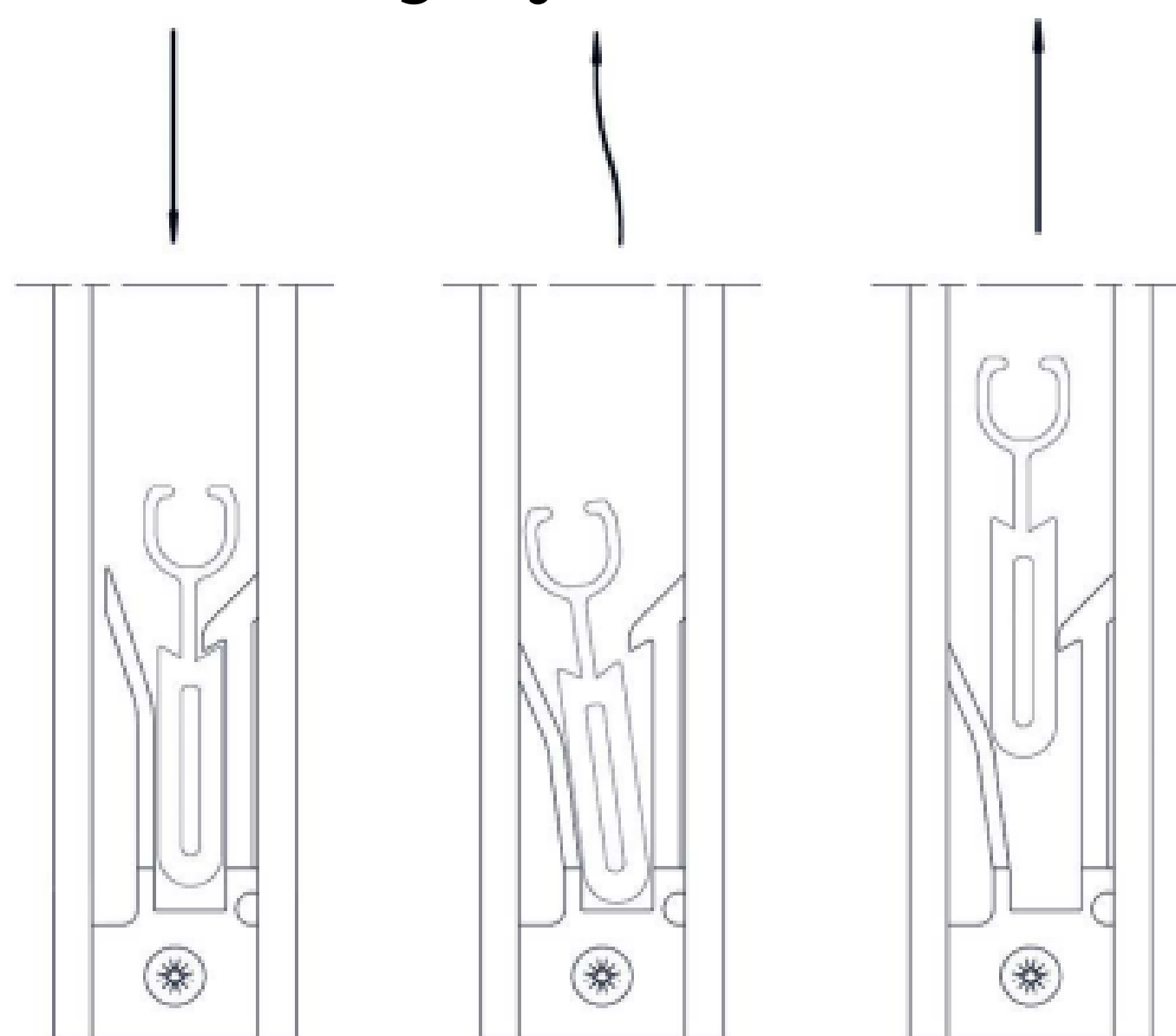
Mark the mounting location and mount the mosquito net with the horizontal and vertical. After installing, insert the plugs.



Step III

Closing and opening the mosquito net.

Closing the mosquito net consists of moving the lower trim to the bottom position. To open the mosquito net, push down the lower trim and tilt front slightly.



If you operate a mosquito net from inside of the room, you may encounter difficulty closing as there will be insufficient access to guide the lower trim to the very bottom of the guides. In this case, use a screwdriver to loosen the brakes in the guides and move up to the desired position.

