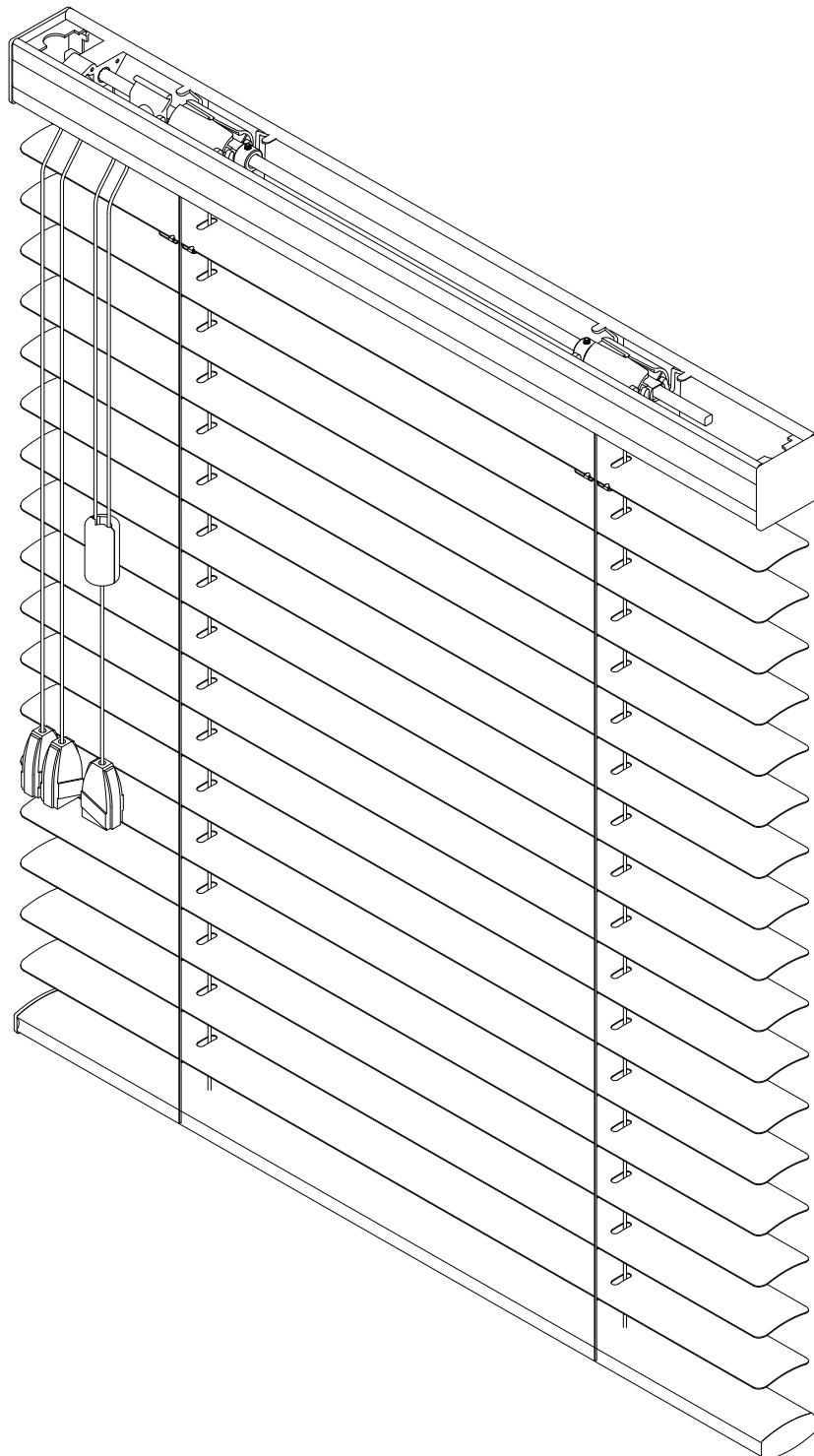
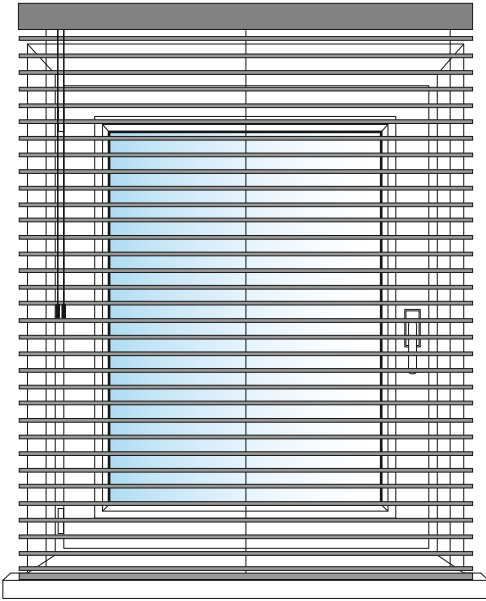


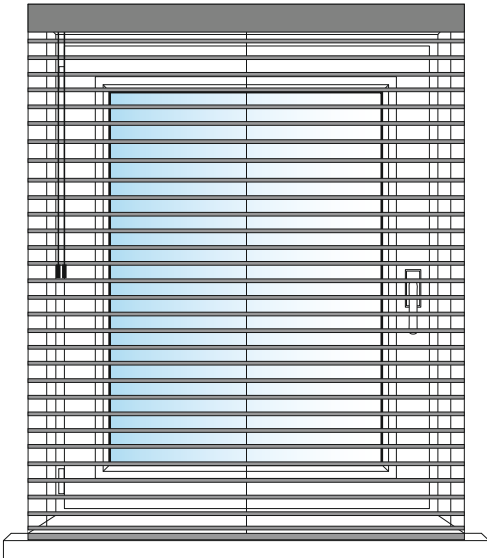
Assembly instructions for aluminum blinds 50mm



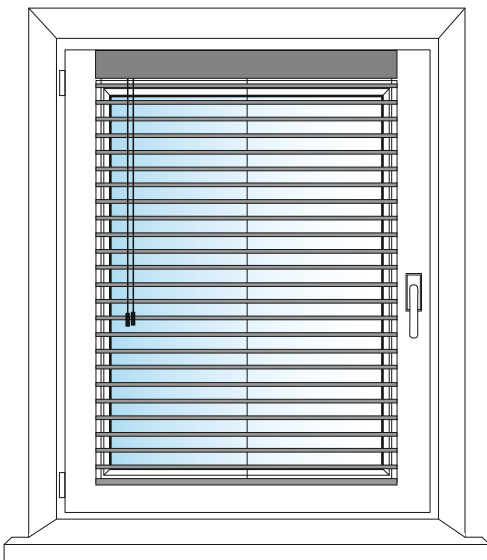
Depending on the type of installation you have chosen, there are 3 methods of installing 50mm aluminum blinds.



Mounted to the wall



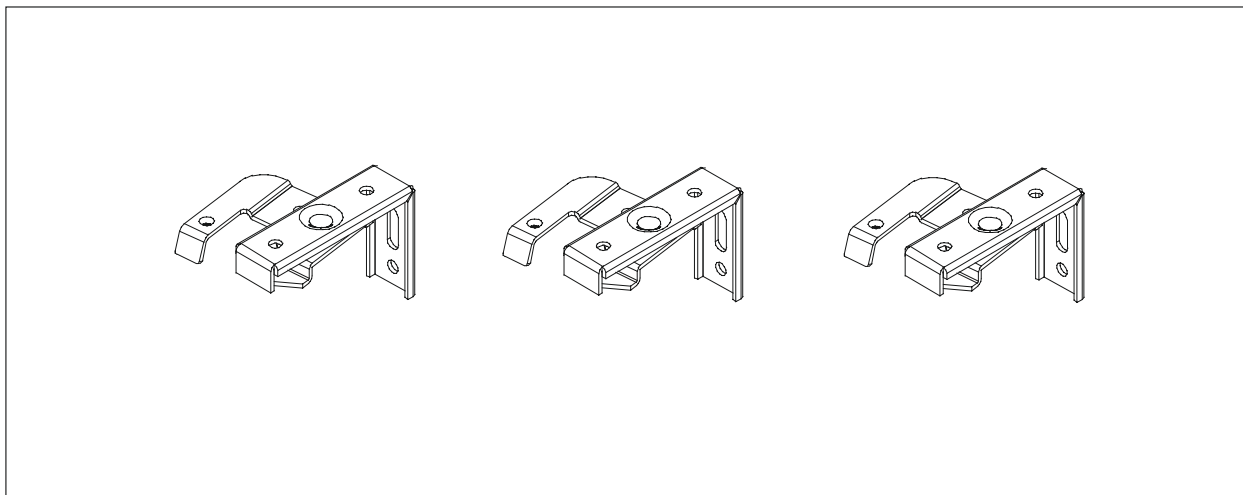
Mounted in window recess



Mounted on window frame

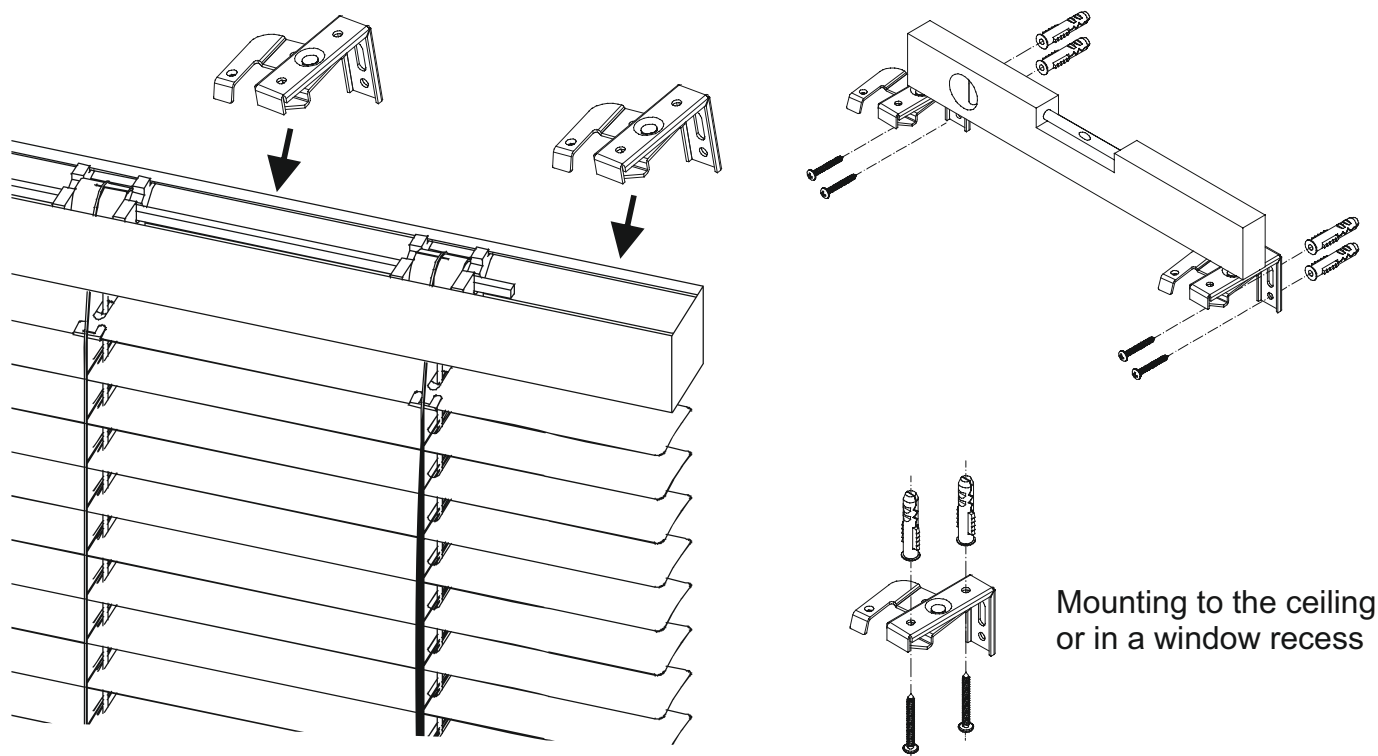
The following assembly hangers were supplied with the blind.
Their quantity is flooded with the width of the blind.
Minimum 2 pieces, maximum 5 pieces.

The kit does not contain mounting pegs or screws, as their forgiveness is the customer's and depends on the material from which the building is made, or woodwork.



Stage I

Install the rack rods so that they do not interfere with the parts inside the chute. The blinds must be installed horizontally, to work properly.



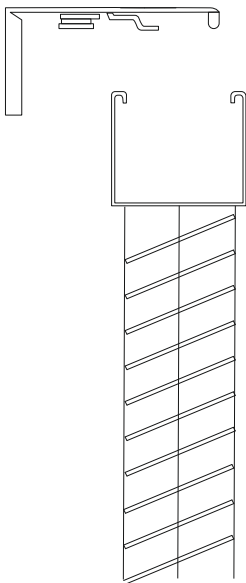
Stage II

On the mounted hangers, plug the blind.

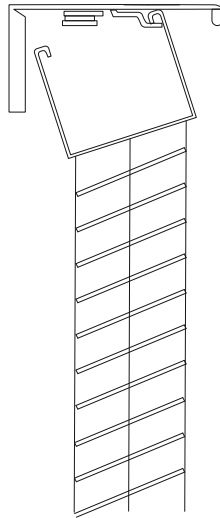
See the following 3 illustrations in order to attach a blinds to the hangers.

The final step is to click on the handle.

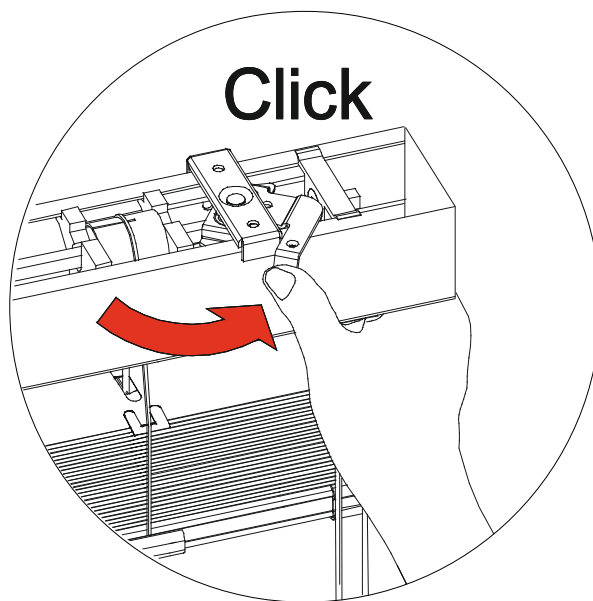
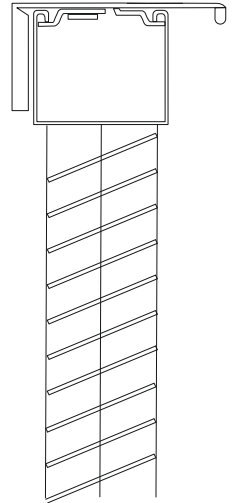
1



2



3



Stage III optional

If lateral guidance is selected on the rope, additional accessories have been added. The following illustrations show how to install. After installation, the excess of rope must be cut off.

