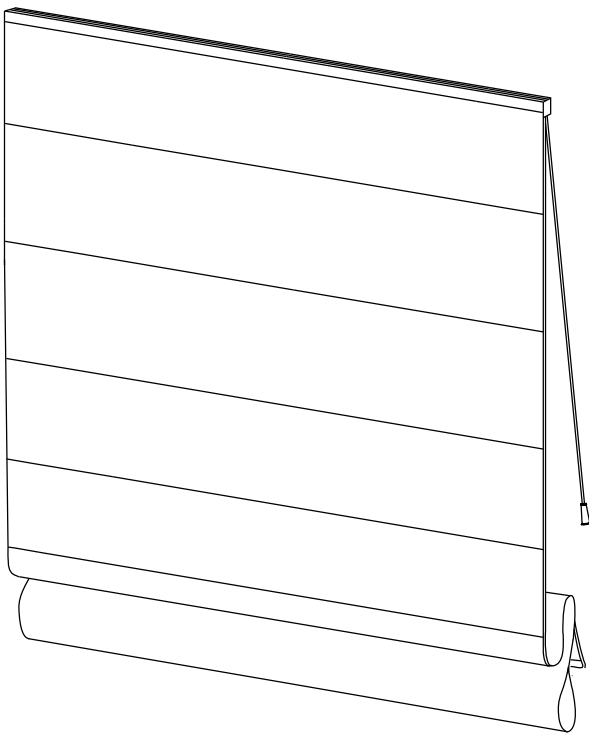
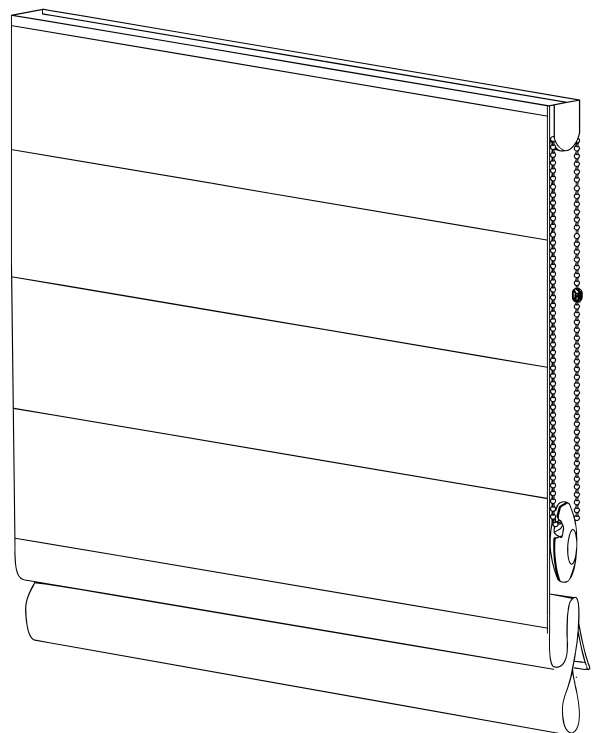


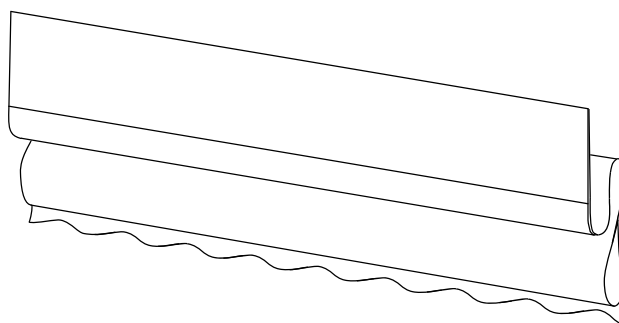
Installation instruction for Roman Blinds wall or ceiling mounted



String mechanism
page 2



Beaded chain mechanism
page 5



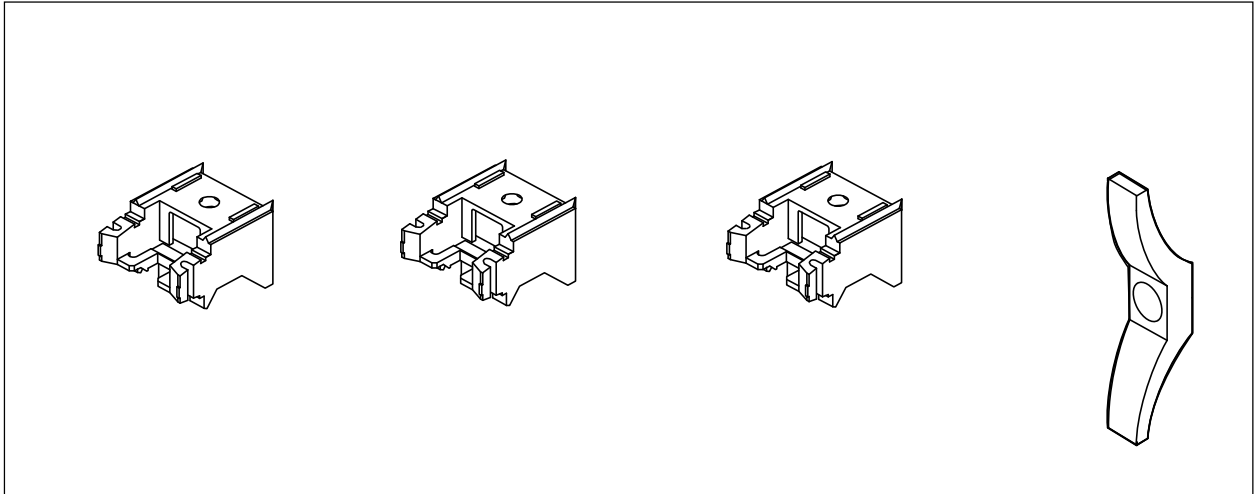
Frill option

STRING MECHANISM

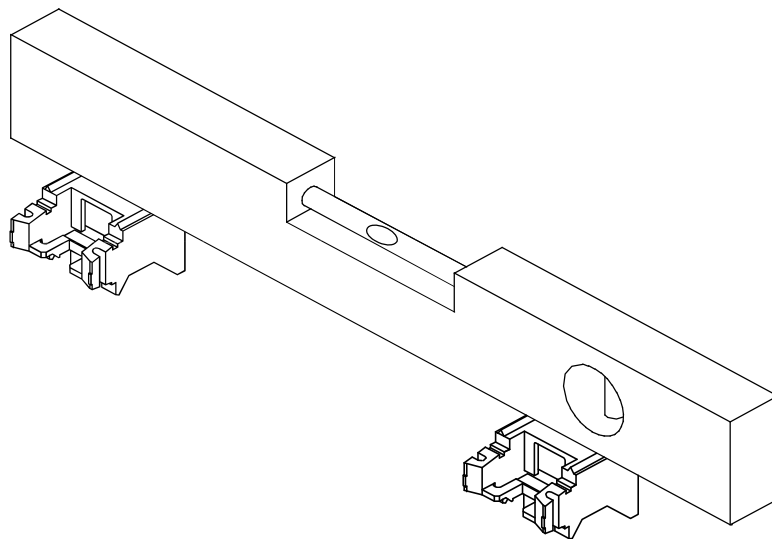
The following mounting brackets and a string anchor are included with the fabric blind. Their number depends on the width of the roller blind.

Minimum 2 pcs, maximum 5 pcs.

The kit does not include mounting pegs, as the choice of pegs is up to the customer and depends on the material from which the building walls are made.

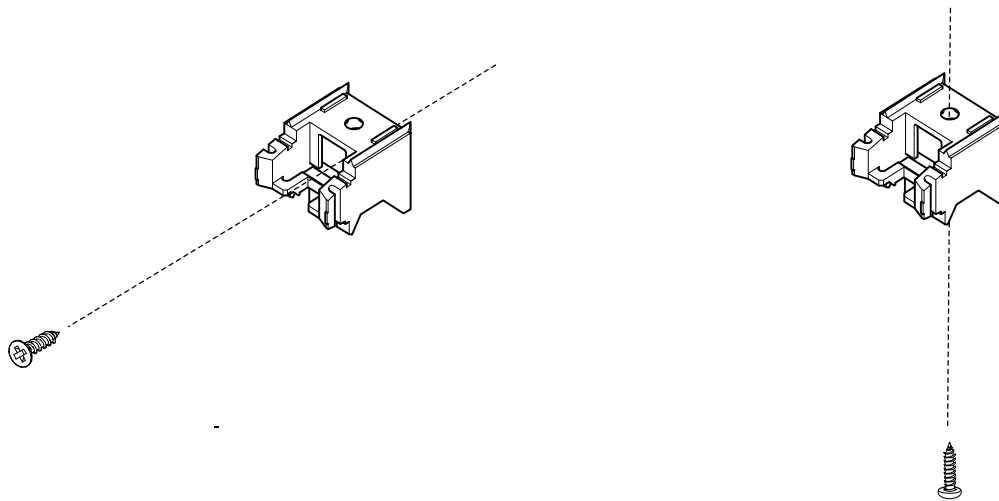


The blind must be installed horizontally for it to function properly



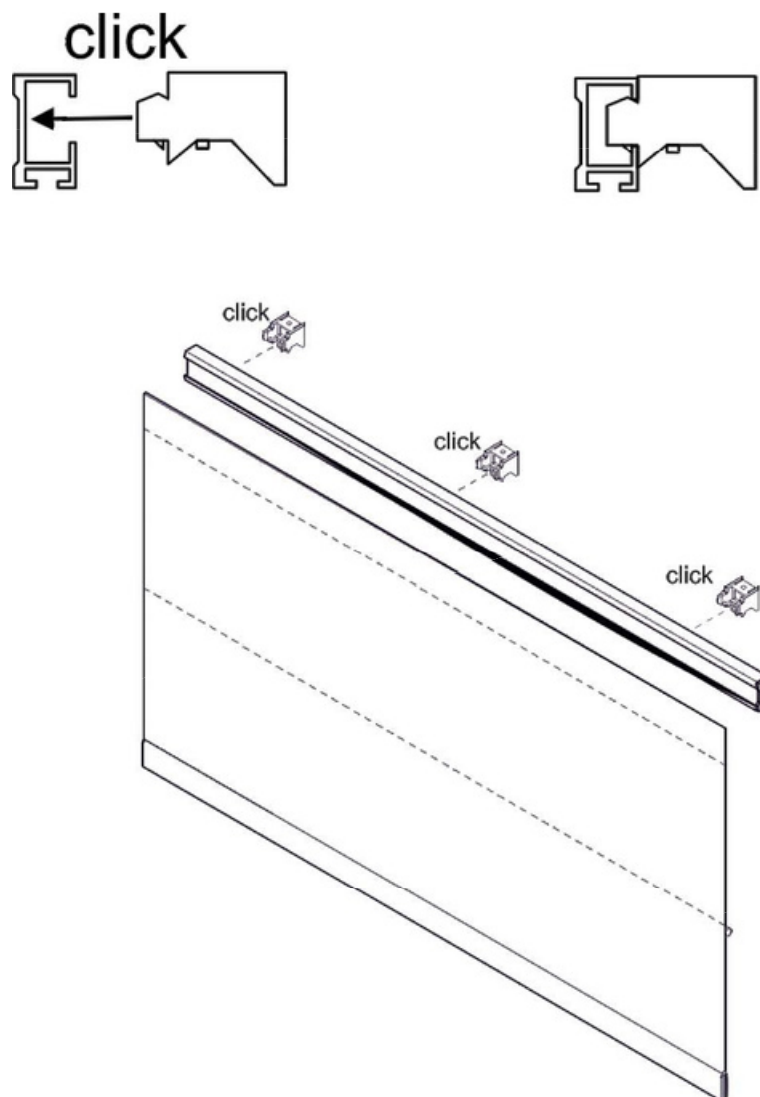
Step I

Mount the hangers to the wall or ceiling



Step II

Click-in the rail of the blind into the hangers as shown below



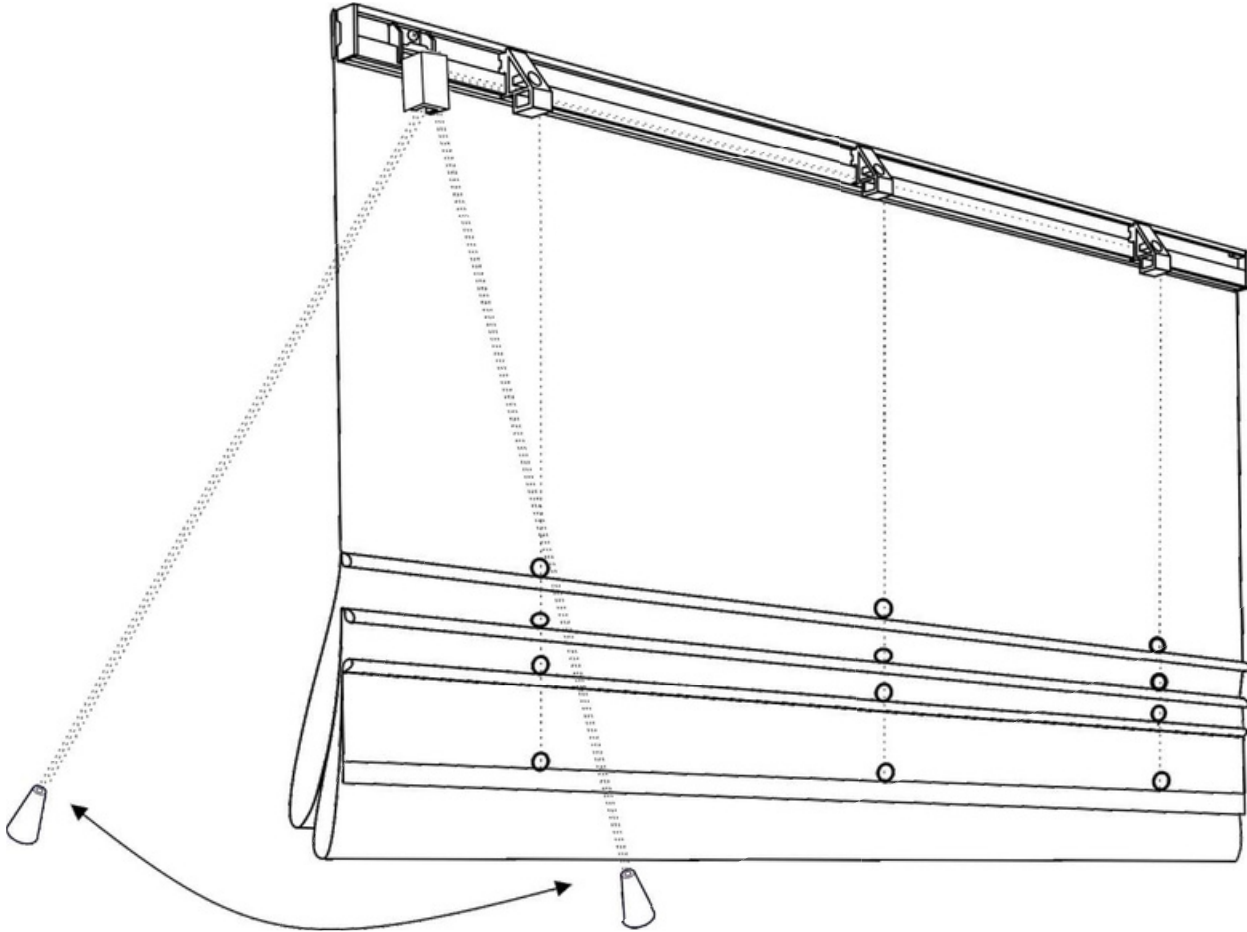
Step III

Check the correct operation of the blind.

To stop the roller blind in any position, point the string towards the wall/window,

To raise or lower the blind, point the string towards the room.

By pulling the string the blind rises upwards, by releasing the string it falls downwards.



Step IV

Mount the string anchor to tie the excess string

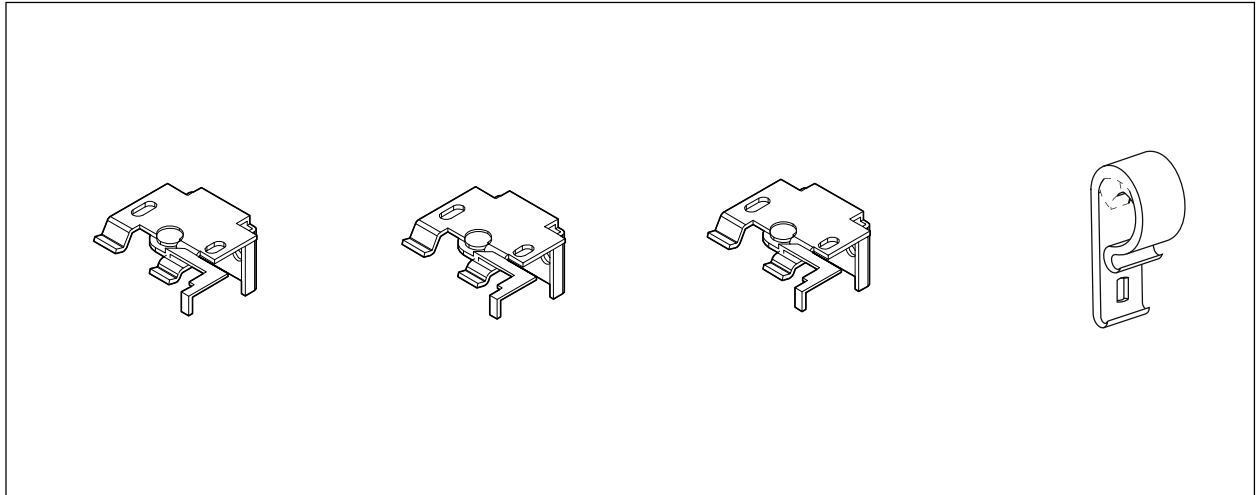


BEADED CHAIN MECHANISM

The following mounting brackets and a string anchor are included with the fabric blind. Their number depends on the width of the roller blind.

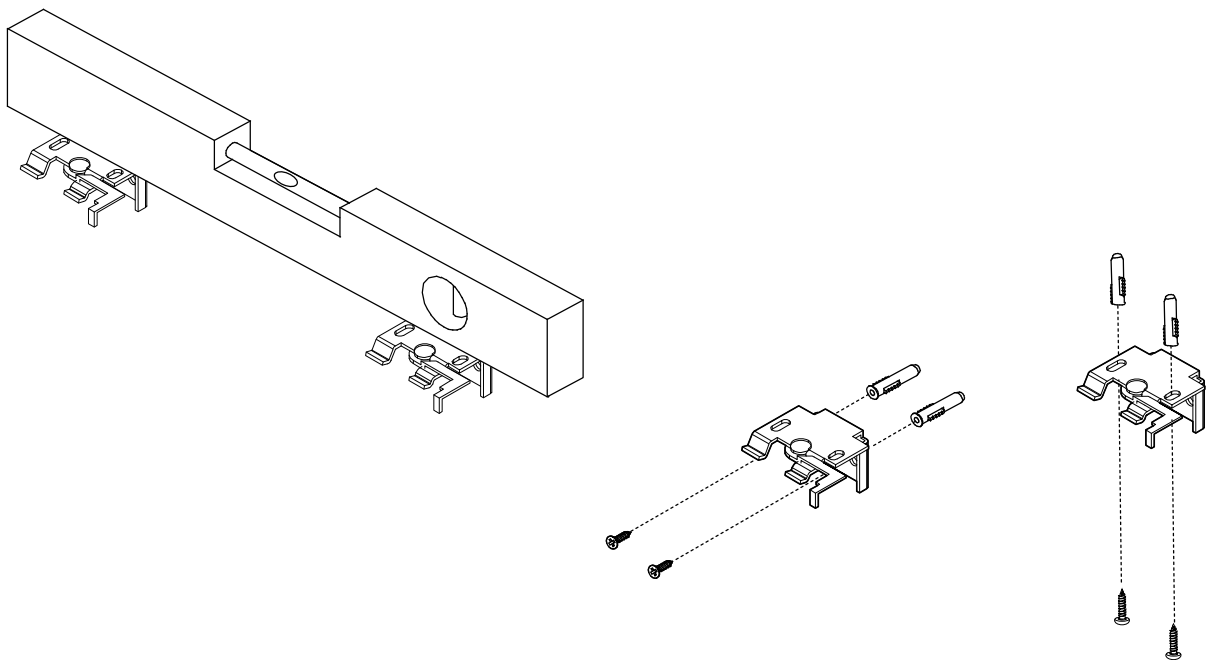
Minimum 2 pcs, maximum 5 pcs.

The kit does not include mounting pegs, as the choice of pegs is up to the customer and depends on the material from which the building walls are made.



Step I

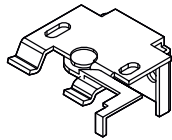
Install the mounting hangers. The blind must be installed horizontally for it to function properly.



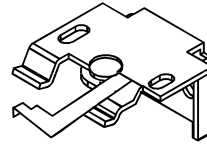
Step II

Click-in the rail of the blind into the hangers as shown below. Hangers have a lever which is used to click-in the rail.

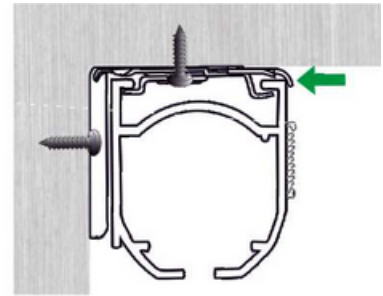
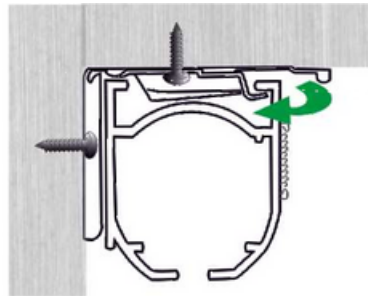
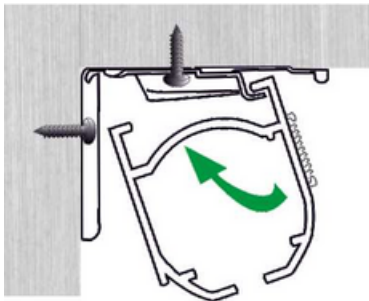
Before installation the lever must be open.



Hanger with closed lever



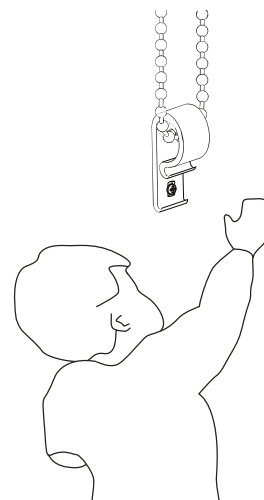
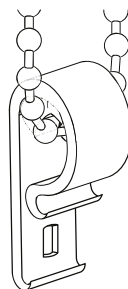
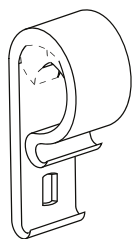
Hanger with opened lever



Step III

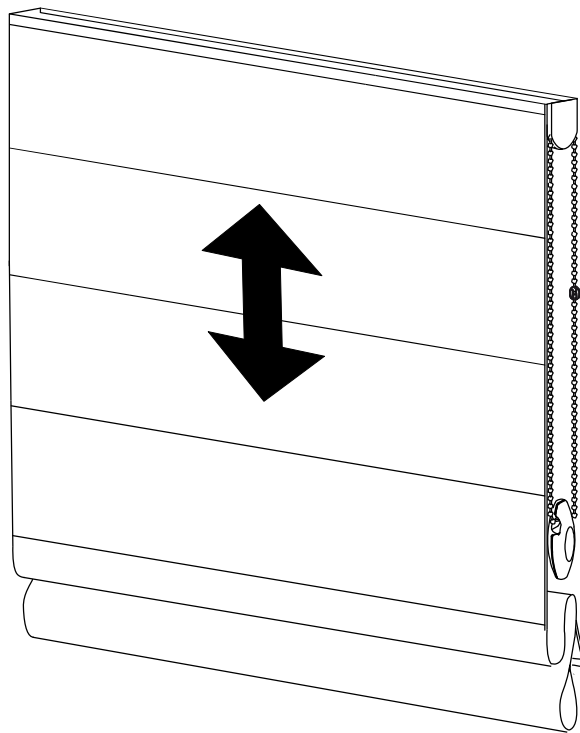
The set includes beaded chain tensioner.

The law states that this element must be fixed to the wall and the chain is to move along it as shown below. The aim is for young children not to come into contact with the beaded chains.



Step IV

Check correct operation of the blind



To wash a roller blind you need to:

Unhook the blind rail from the hangers and unroll it to its full height, untie the strings and pull out the horizontal stiffeners, the bottom weight and detach the fabric from the rail.

After hand washing and ironing:

Place the fabric on the rails, insert the horizontal stiffeners, thread the strings through the hoops, align the cords and tie off the bottom. Re-install the blind to the hangers.

Our good advice.

Take a picture of the interlacing of the strings before you start to untie the blind. This will help you to thread the cords correctly after washing.



WARNING

Young children can be strangled by the loops formed by cords, chains and pull-straps operating the window coverings. They can also wrap the cord around their neck. To avoid looping and entanglement, keep cords out of the reach of young children. Move beds, cots and furniture away from window curtain cords.