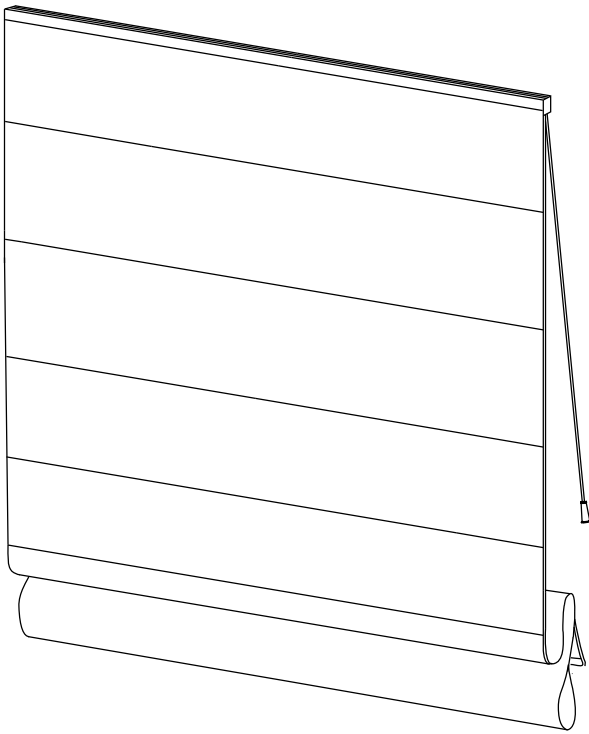
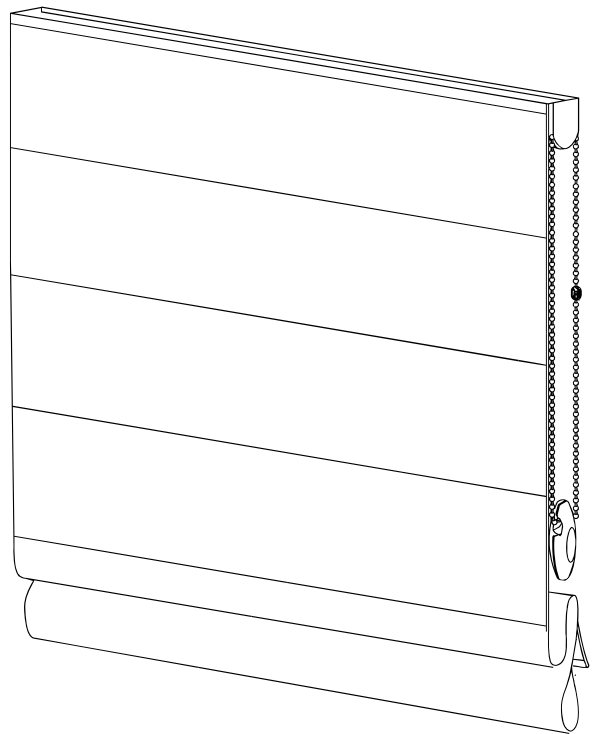


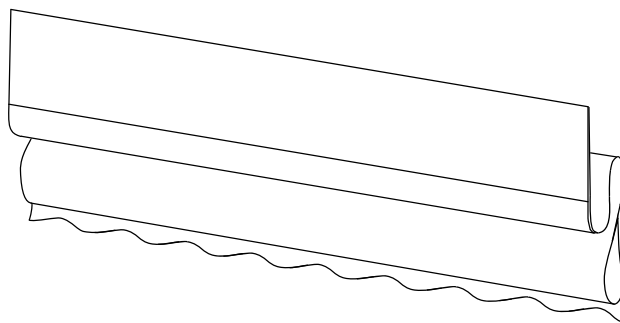
Installation instruction for non-invasive Roman Blinds mounted on window frame



String mechanism
page 2



Beaded chain mechanism
page 7

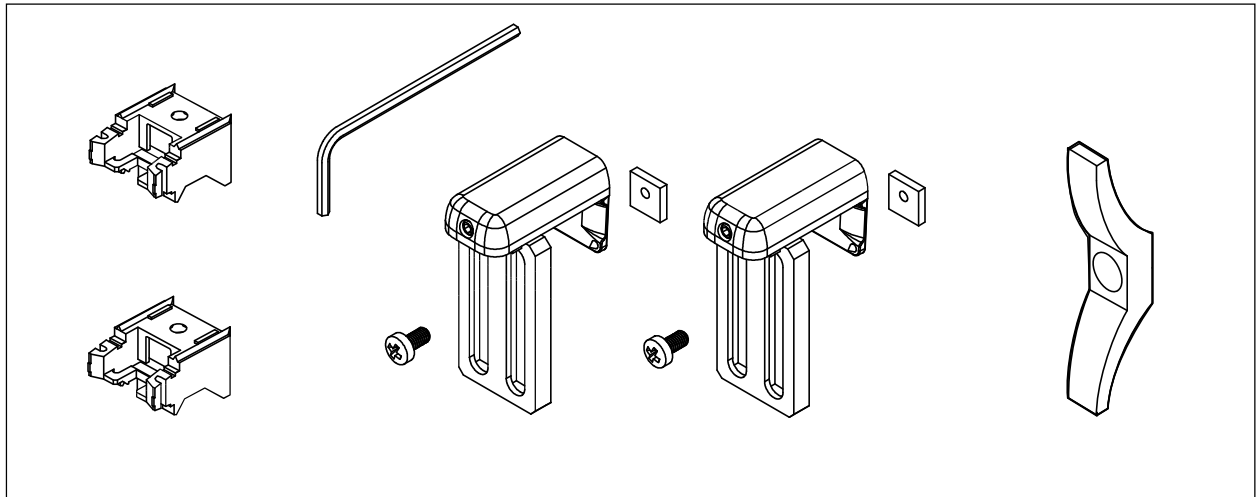


Frill option

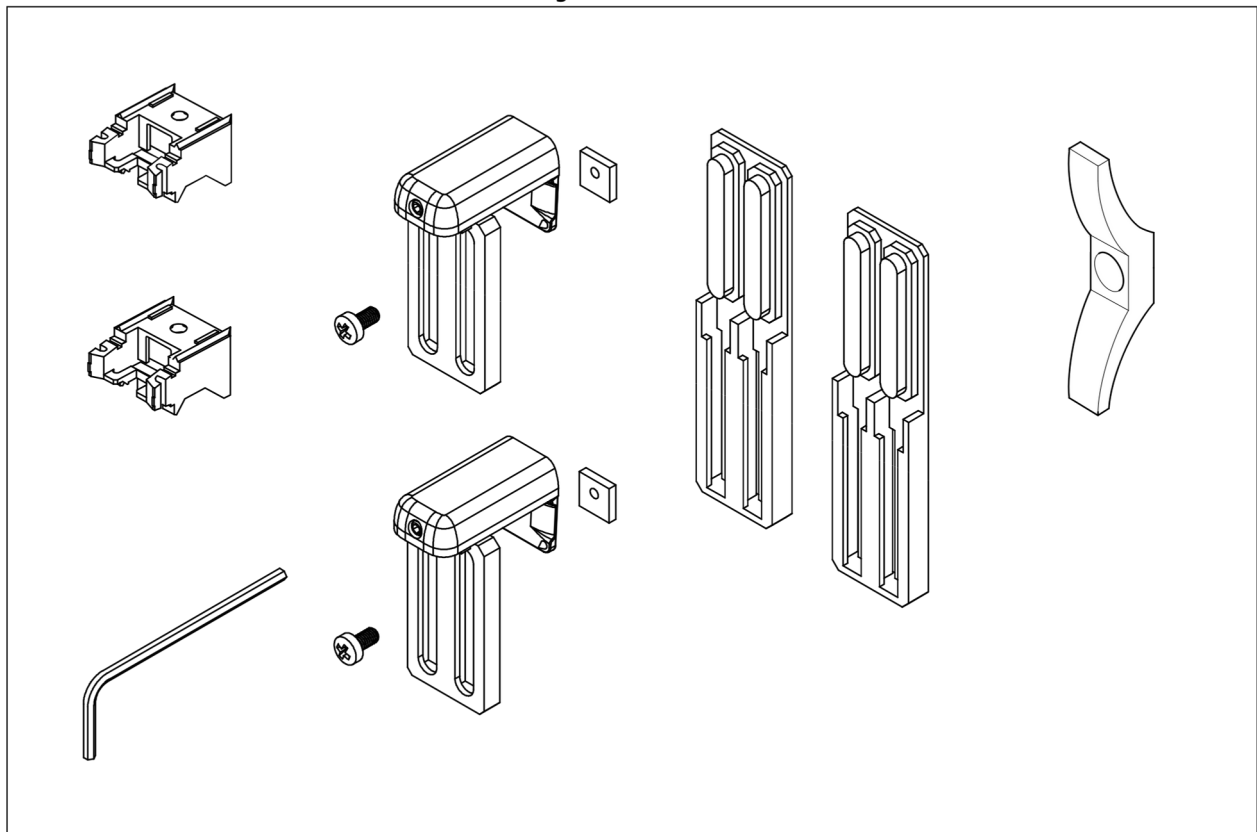
STRING MECHANISM

The following mounting components are supplied with the blind. Depending on the customer's choice, one of the following packages is supplied with the blind. Please note: If the window cannot be opened or tilted, it is not possible to hang the roller blind non-invasively. You will then need to screw the hangers directly onto the frame.

Standard window package



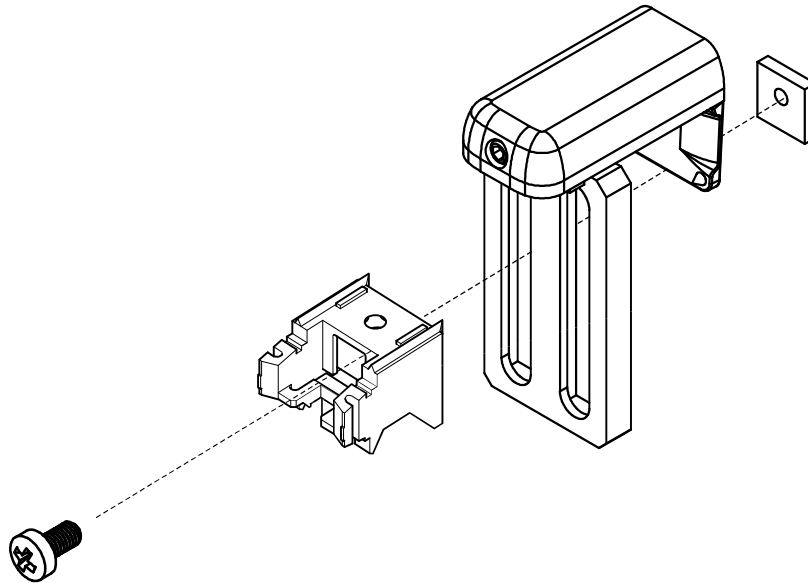
Window with vent package



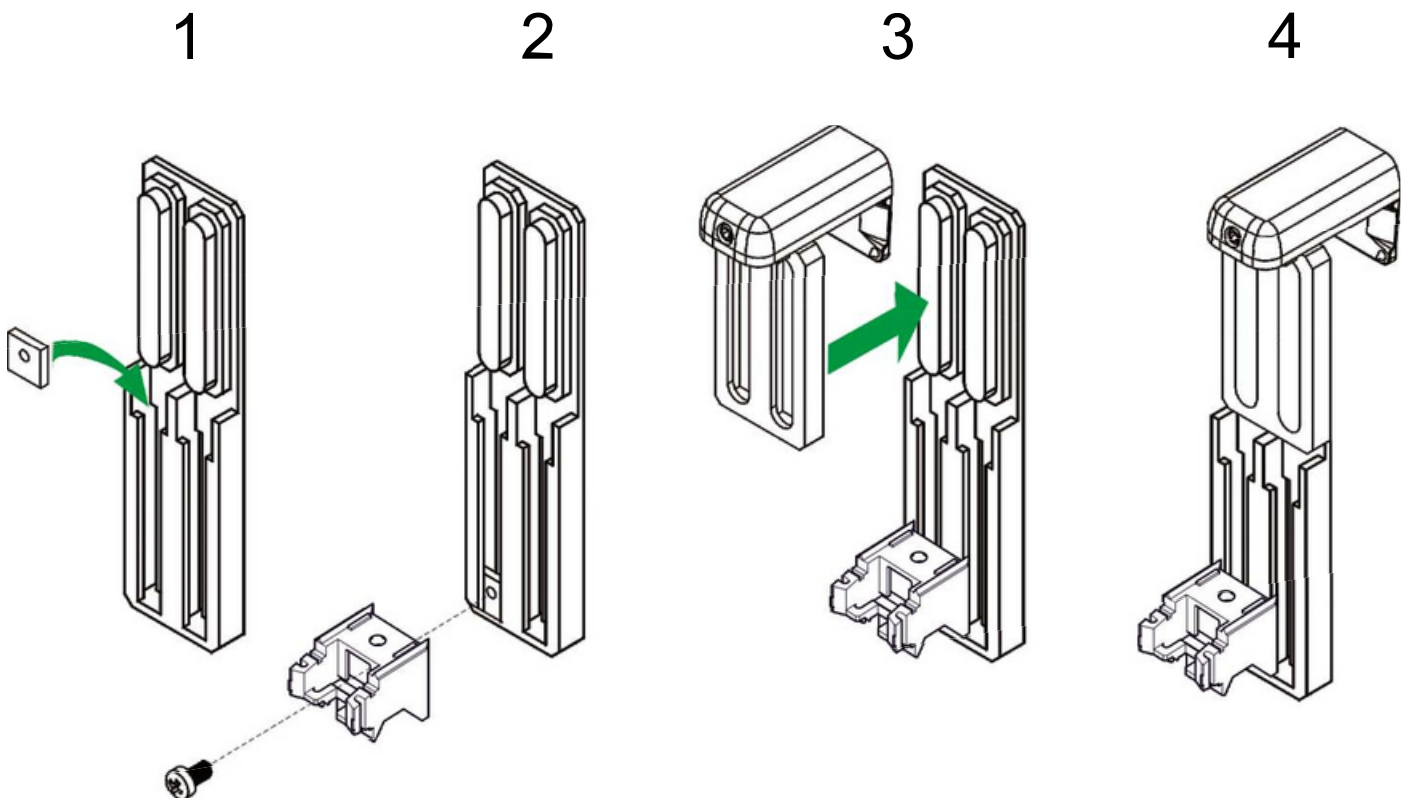
Step I

Prepare and screw the hangers according to the illustrations below.

Standard window version



Window with vent version

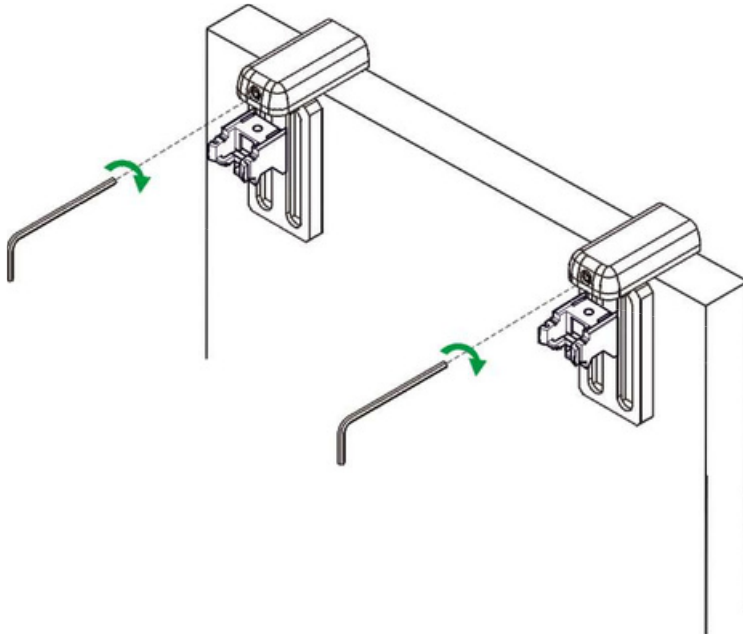


Step II

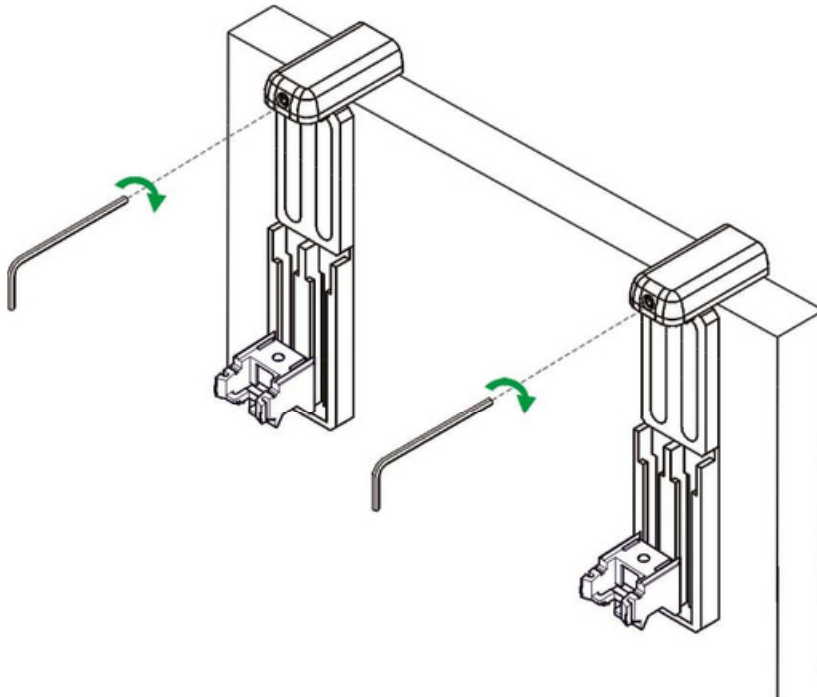
Install the hangers on the window frame.

Using an allen key, clamp onto the window frame.

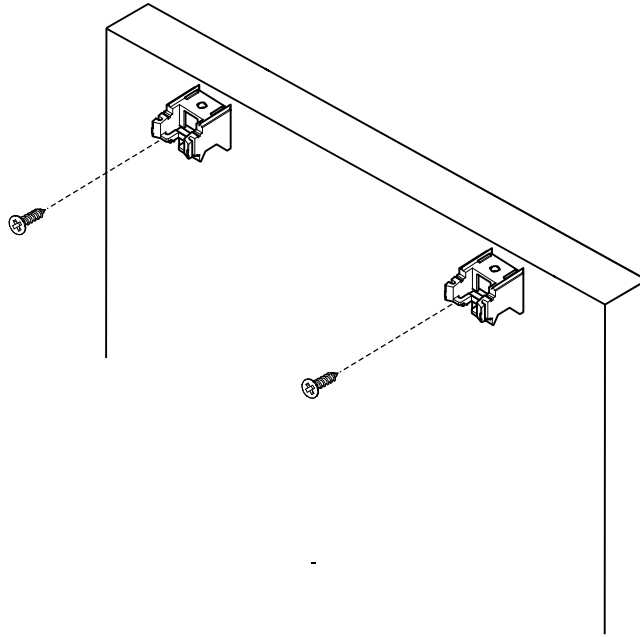
Standard window version



Window with vent version

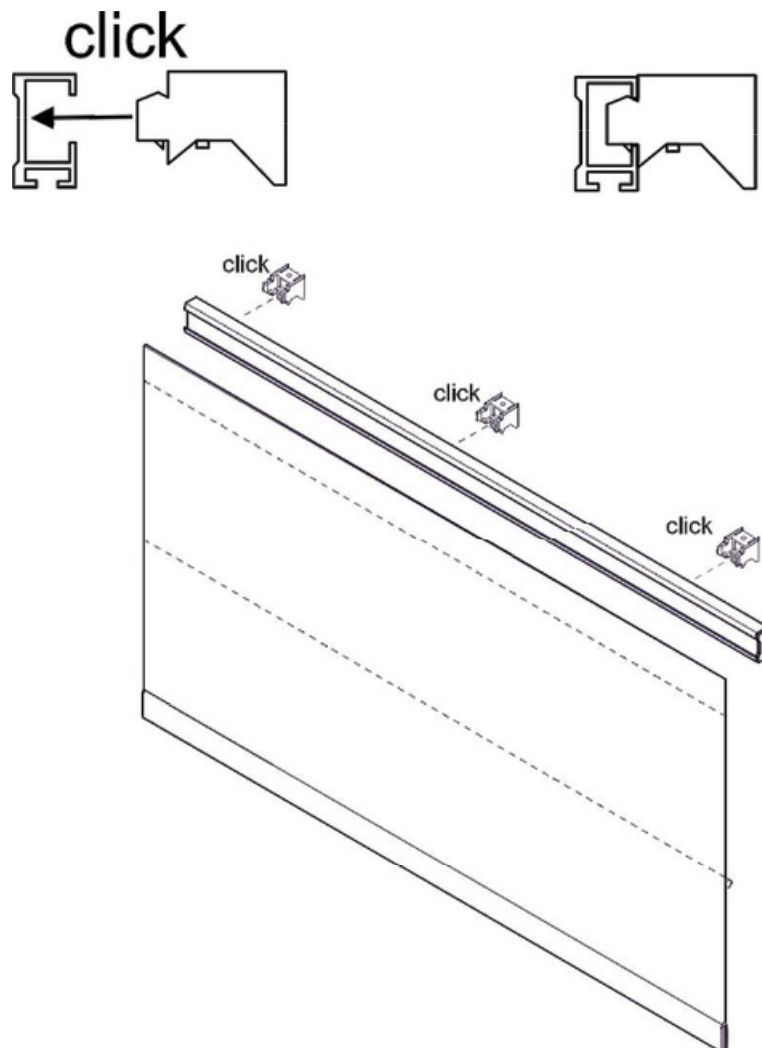


Optionally, the hangers can be screwed directly onto the frame.



Step III

Click-in the rail of the blind into the hangers as shown below



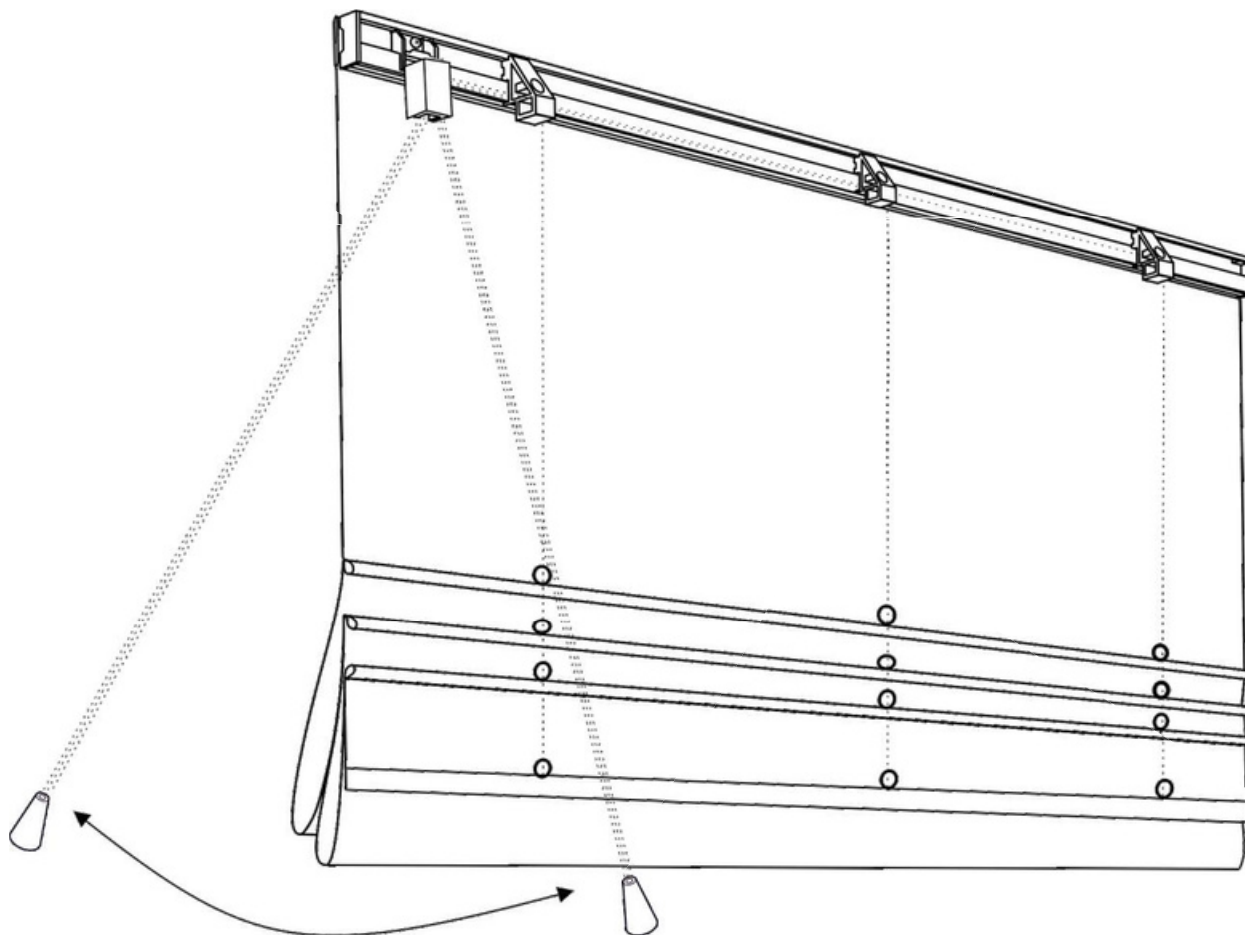
Step IV

Check the correct operation of the blind.

To stop the roller blind in any position, point the string towards the wall/window,

To raise or lower the blind, point the string towards the room.

By pulling the string the blind rises upwards, by releasing the string it falls downwards.



Step V

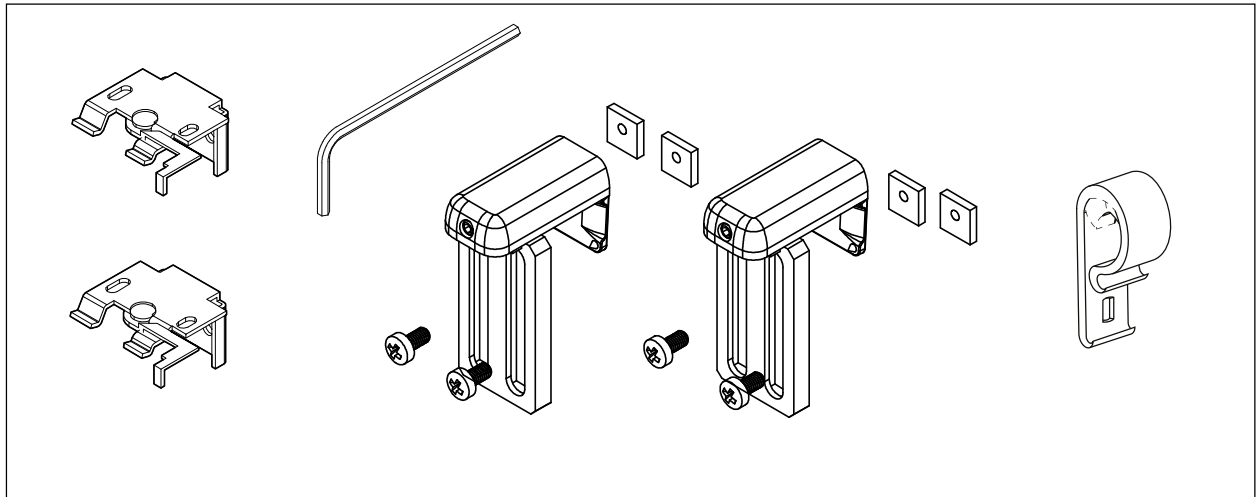
Mount the string anchor to tie the excess string



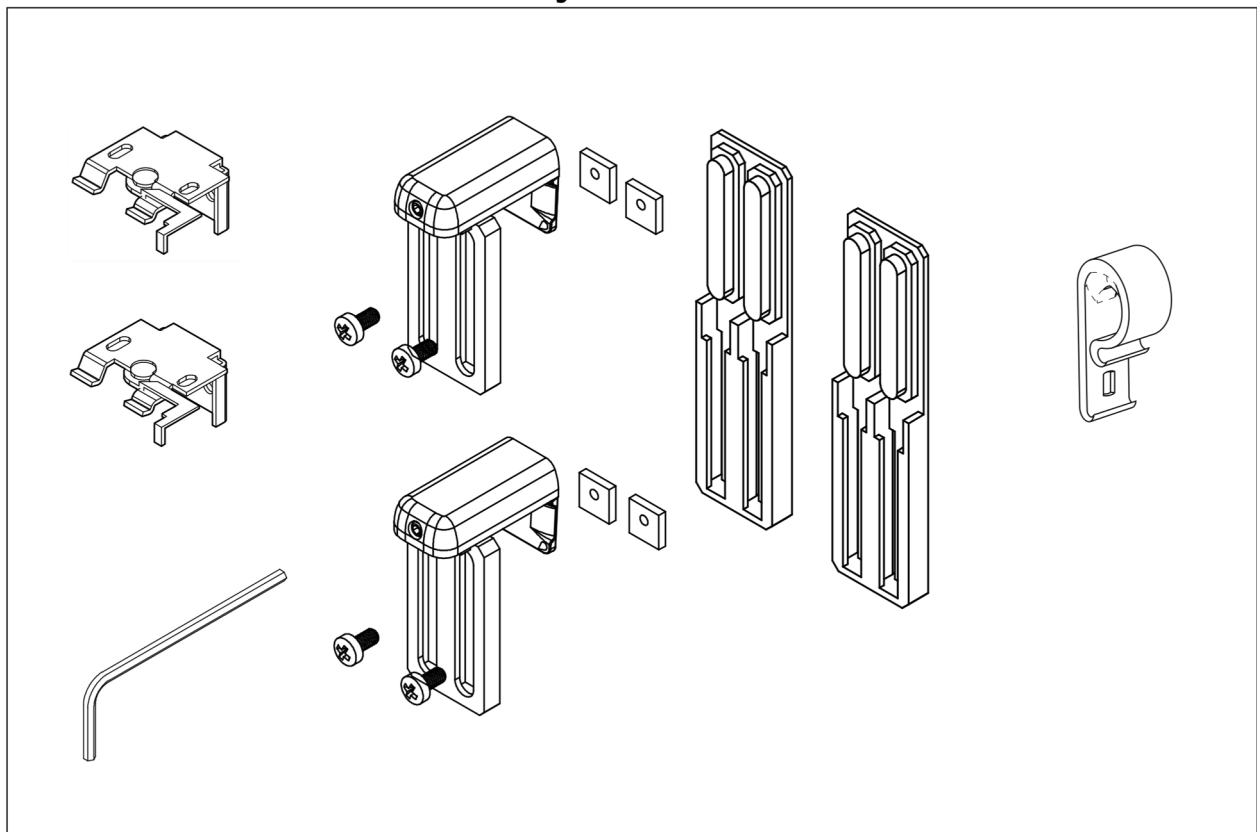
BEADED CHAIN MECHANISM

The following mounting components are supplied with the blind. Depending on the customer's choice, one of the following packages is supplied with the blind. Please note: If the window cannot be opened or tilted, it is not possible to hang the roller blind non-invasively. You will then need to screw the hangers directly onto the frame.

Standard window package



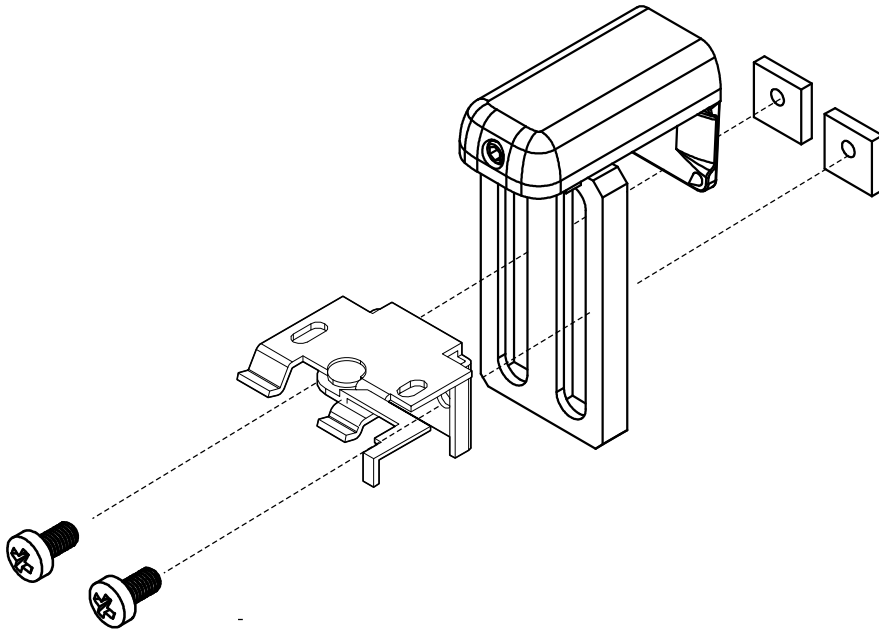
Window with vent package



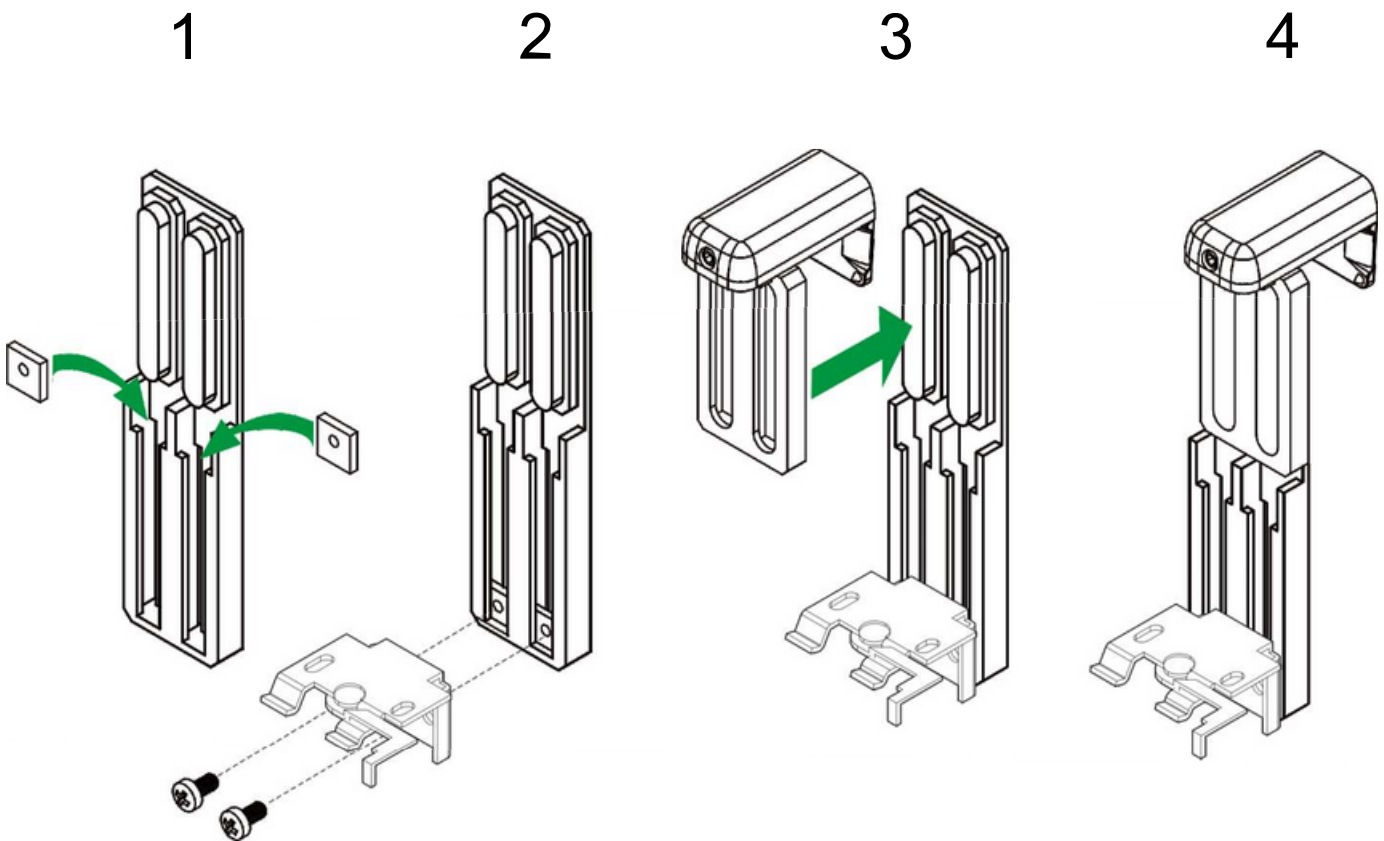
Step I

Prepare and screw the hangers according to the illustrations below.

Standard window version



Window with vent version

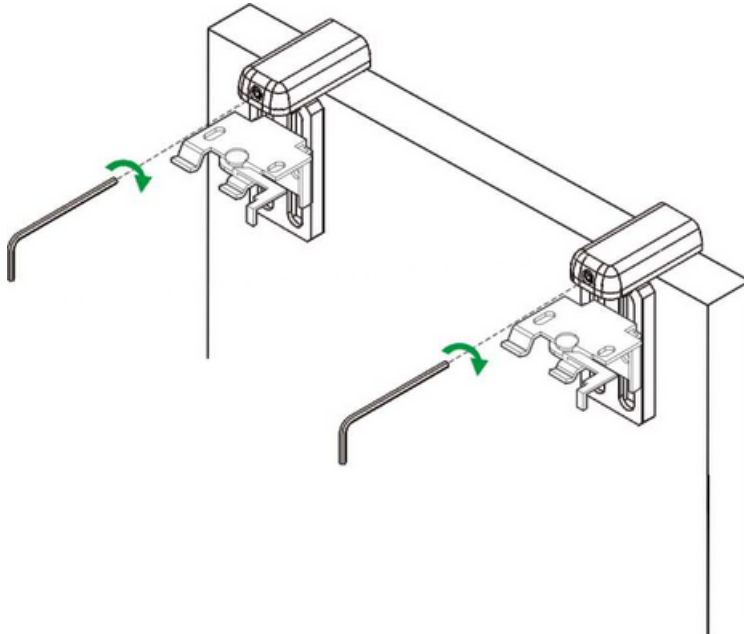


Step II

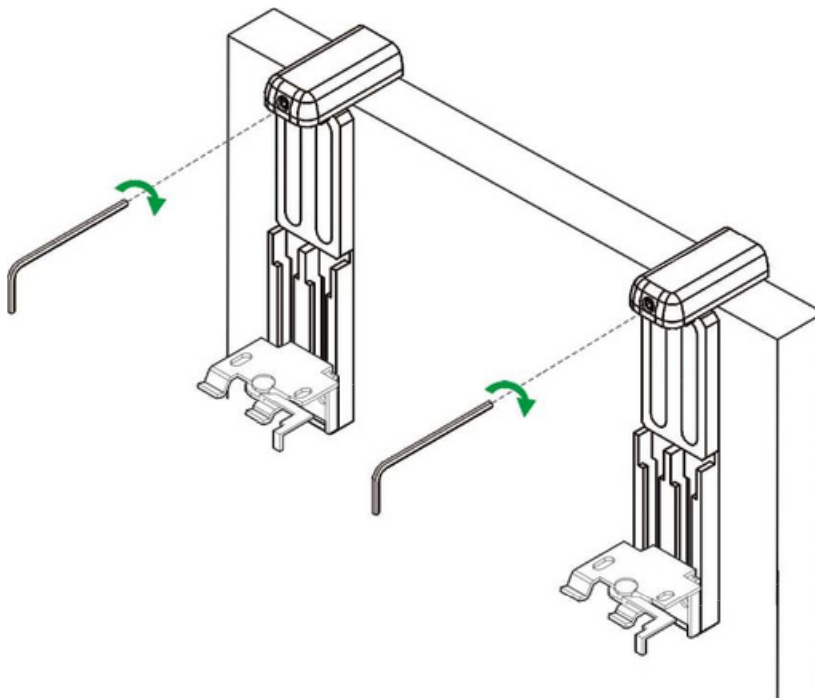
Install the hangers on the window frame.

Using an allen key, clamp onto the window frame.

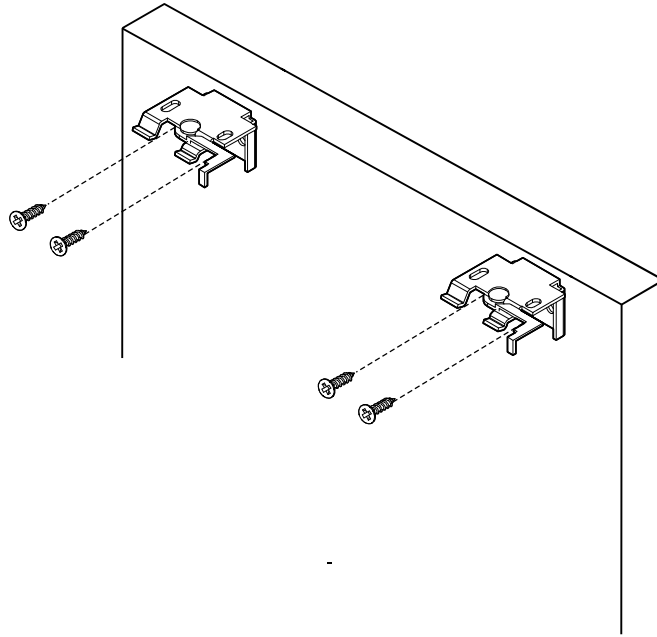
Standard window version



Window with vent version



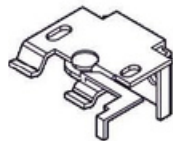
Optionally, the hangers can be screwed directly onto the frame.



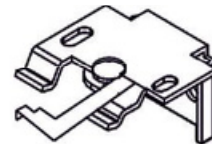
Step III

Click-in the rail of the blind into the hangers as shown below. Hangers have a lever which is used to click-in the rail.

Before installation the lever must be open.

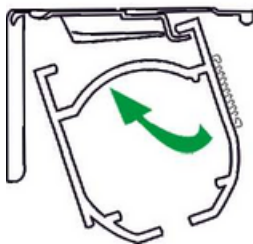


Hanger with closed lever

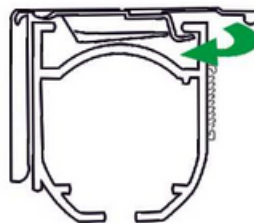


Hanger with opened lever

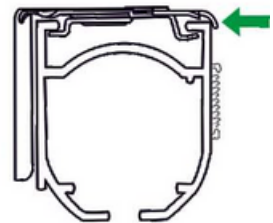
1



2



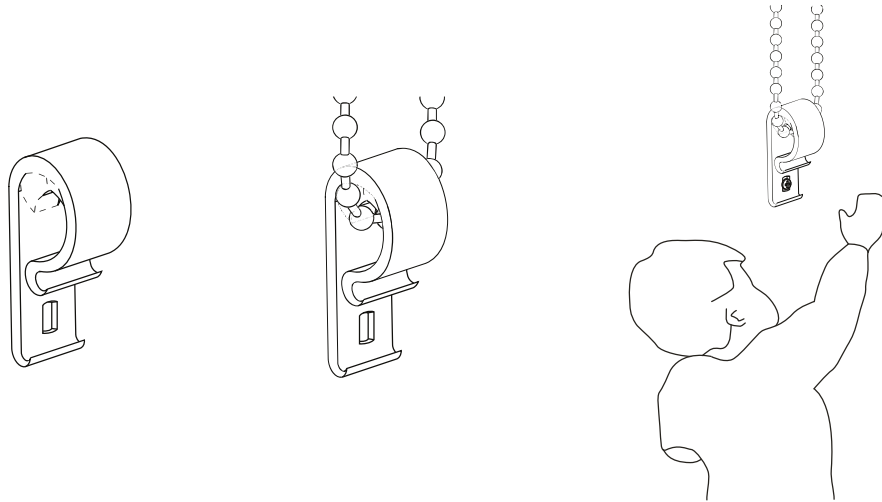
3



Step IV

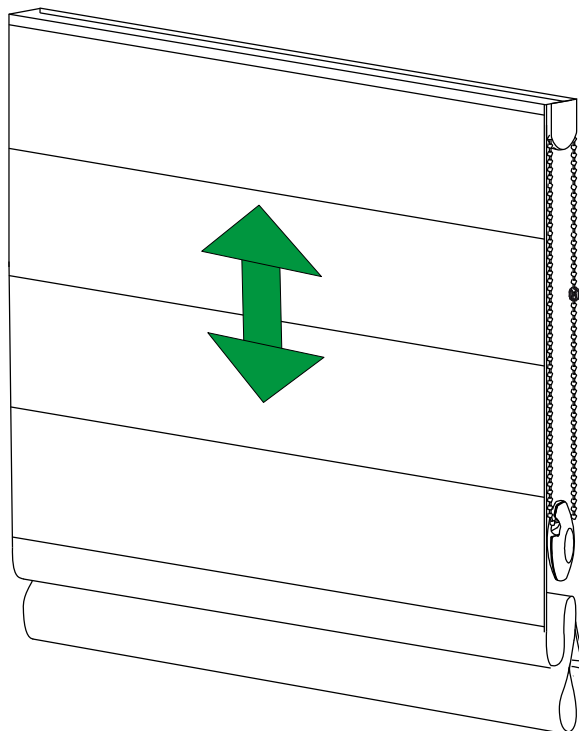
The set includes beaded chain tensioner.

The law states that this element must be fixed to the wall and the chain is to move along it as shown below. The aim is for young children not to come into contact with the beaded chains.



Step V

Check correct operation of the blind



To wash a roller blind you need to:

Unhook the blind rail from the hangers and unroll it to its full height, untie the strings and pull out the horizontal stiffeners, the bottom weight and detach the fabric from the rail.

After hand washing and ironing:

Place the fabric on the rails, insert the horizontal stiffeners, thread the strings through the hoops, align the cords and tie off the bottom. Re-install the blind to the hangers.

Our good advice.

Take a picture of the interlacing of the strings before you start to untie the blind. This will help you to thread the cords correctly after washing.



WARNING

Young children can be strangled by the loops formed by cords, chains and pull-straps operating the window coverings. They can also wrap the cord around their neck. To avoid looping and entanglement, keep cords out of the reach of young children. Move beds, cots and furniture away from window curtain cords.